

User Manual

Dual Monitor Mount **SolidHand-UM02**

Table of contents

Specifications: 3
Set contents:..... 4
Assembly:..... 4

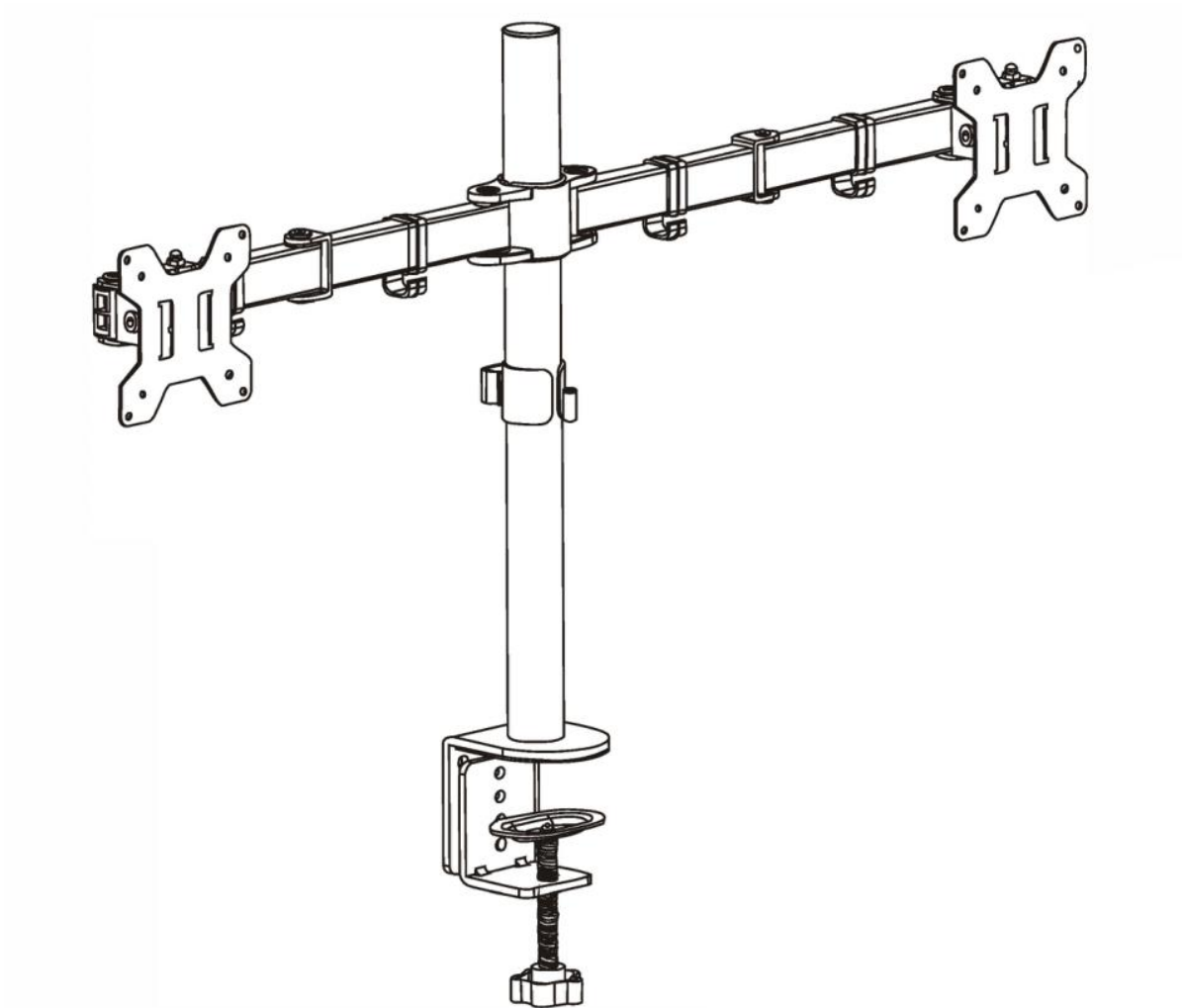
Specifications:

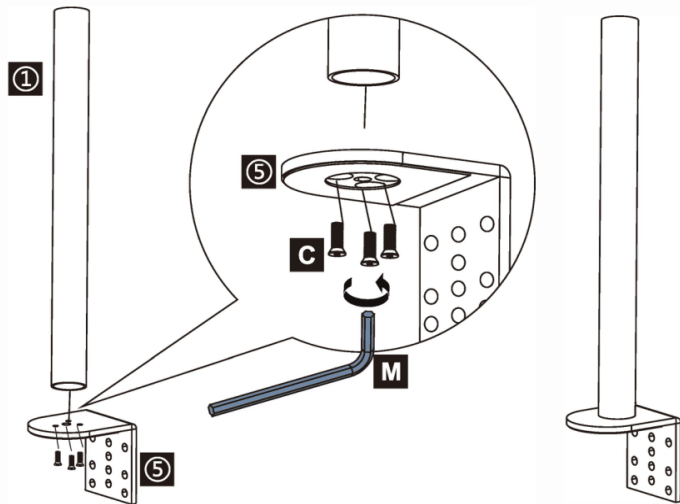
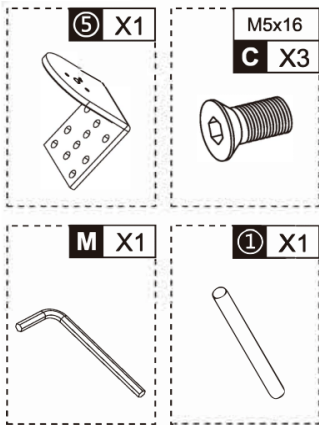
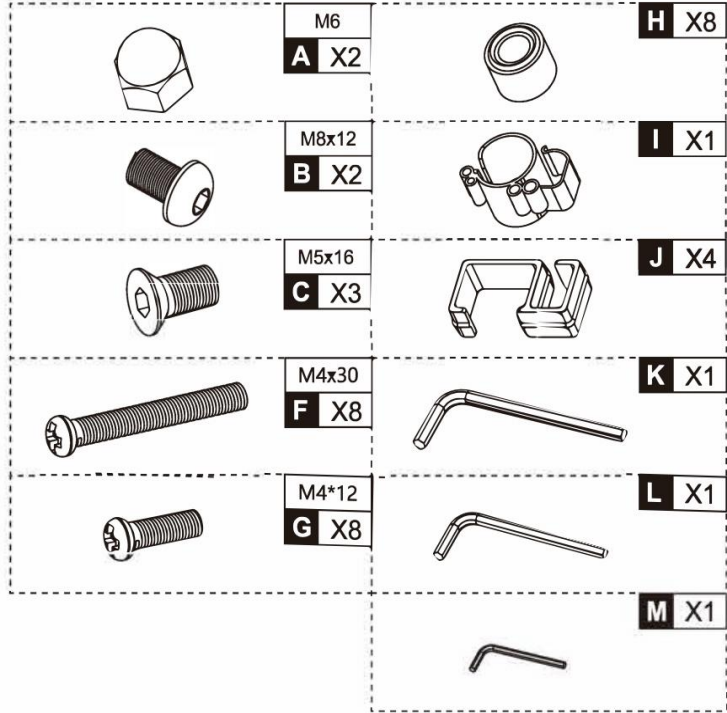
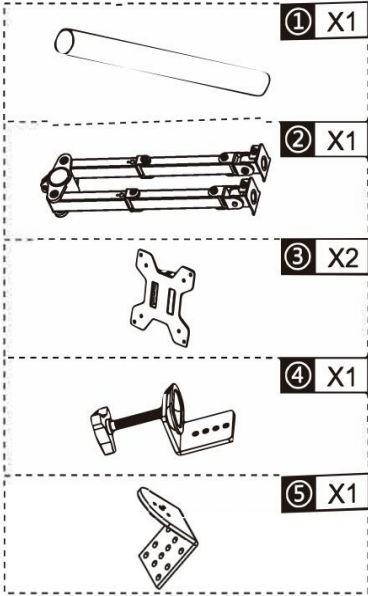
- **Warranty:** 1 year
- **Color:** Black
- **Number of monitors:** 2
- **Min. monitor diagonal:** 13"
- **Max. monitor diagonal:** 27"
- **Monitor Weight:** 8kg
- **Height adjustment:** manual, with tools
- **Arm swivel range:** 360°
- **Monitor Rotation Range:** -90° ~ 90°
- **Monitor tilt range:** -90° ~ 90°
- **Arm height range:** 100~400mm
- **Package dimensions:** 440 x 190 x 100 mm
- **Handle weight:** 2.5 kg

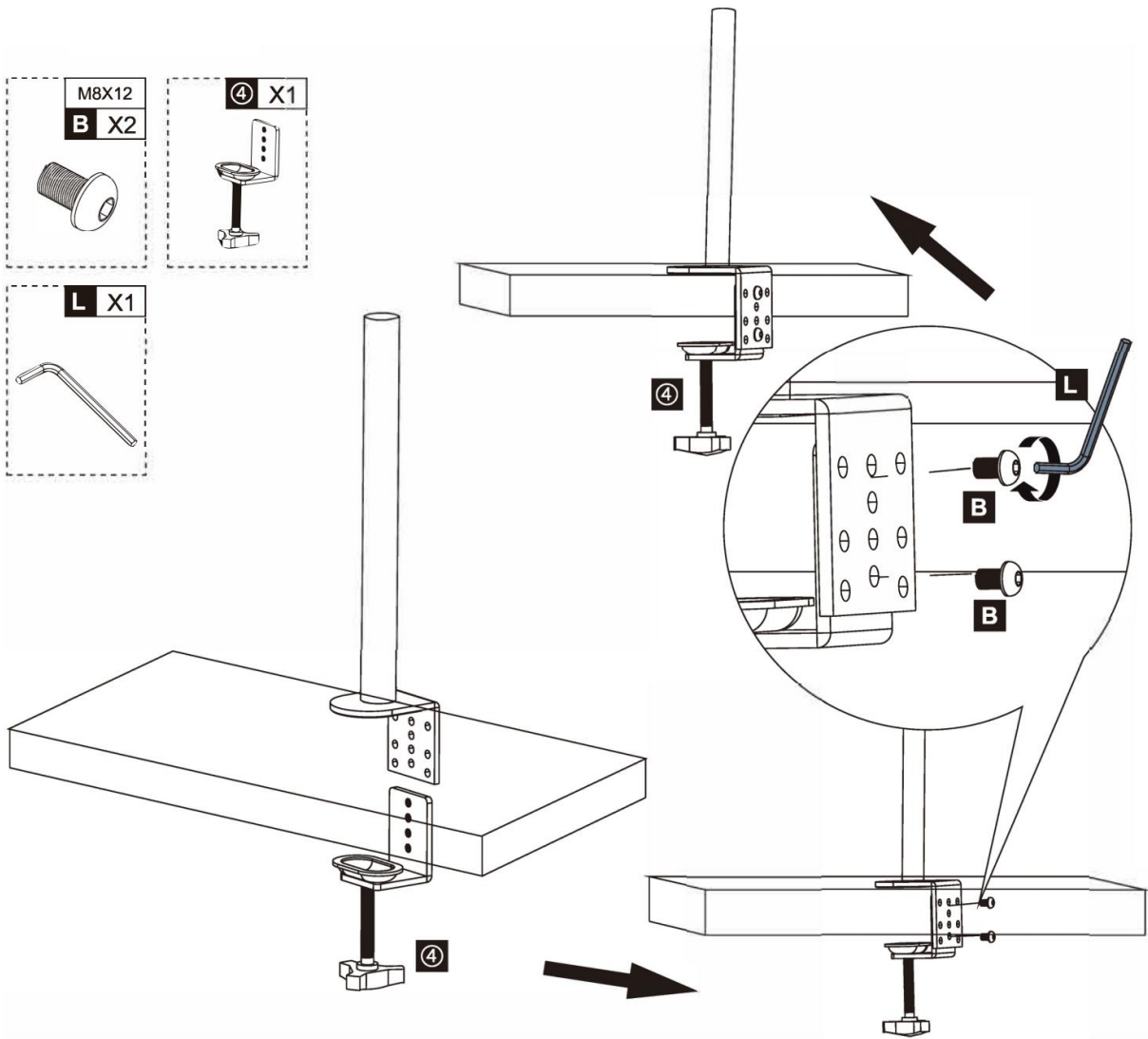
Set contents:

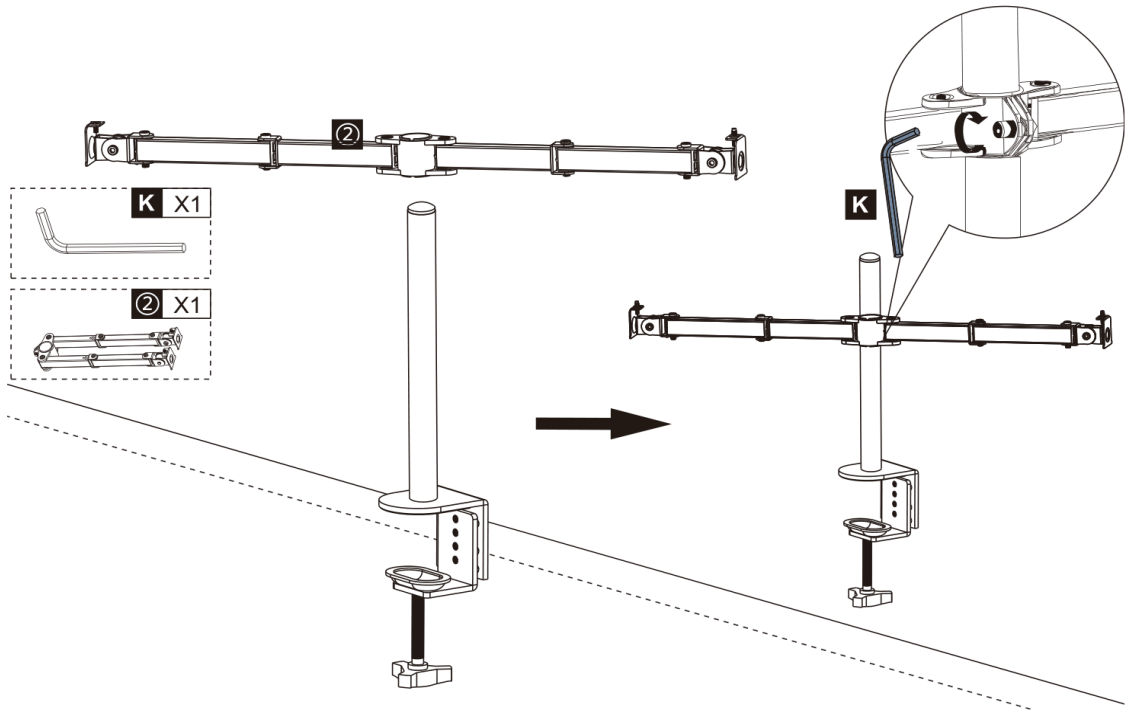
- Monitor mount
- Screws and mounting washers
- Assembly instructions

Assembly:

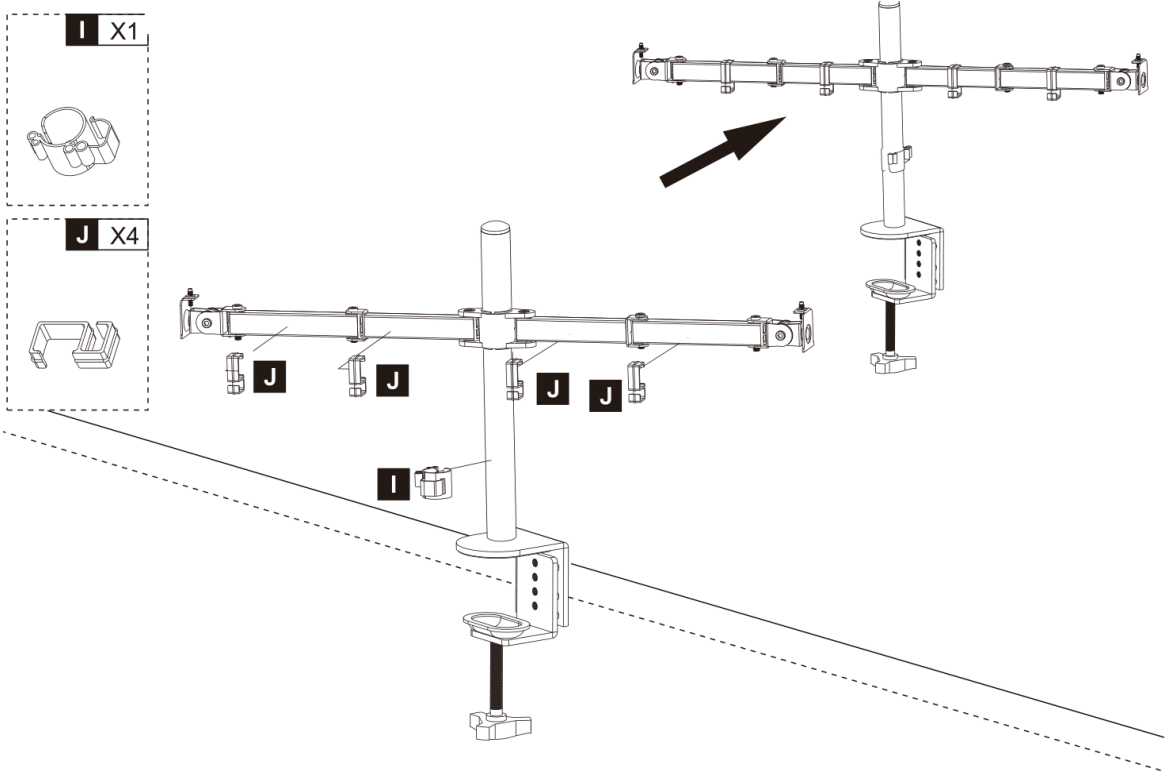








- K** X1
- 2** X1



- I** X1
- J** X4

