

User manual

Monitor and laptop
holder

SolidHand-LM01

Table of contents

- Specification:..... 3
- Kit contents:..... 4
- Features: 4
- Unpacking instructions 5
- Safety instructions..... 5
- Kit contents..... 6
- Installation instructions7

Specification:

- **Warranty:** 1 year
- **Color:** black
- **Number of monitors:** 1
- **Number of laptops:** 1
- **Min. monitor diagonal:** 13"
- **Max. monitor diagonal:** 27"
- **Max. equipment weight:** 10 kg
- **Height adjustment:** manual, with tools
- **Arm rotation range:** 360°
- **Monitor rotation range:** -90° ~ 90°
- **Monitor tilt range:** -90° ~ 90°
- **Arm height range:** 100 ~ 400 mm
- **Laptop stand dimensions:** 300 x 350 mm
- **Package dimensions:** 440 x 310 x 100 mm
- **Weight of the holder:** 2.8 kg
- **Weight with packaging:** 4.64 kg

Kit contents:

- Monitor and laptop mount,
- screws and mounting pads,
- installation instructions.

Features:

- **Mounting devices:** monitor and laptop
- **Height adjustment:** manual, with tools
- **Arm rotation range:** 360°
- **Max weight of devices:** 10 kg



















Unpacking instructions

- Carefully open the carton, remove the contents and place them on a cardboard box or other protective surface to avoid damaging the components.
- Check the contents of the package against the list of supplied parts on the next page to make sure that all items were delivered undamaged. Do not use damaged or defective parts.
- Carefully read all instructions before proceeding with installation.

Safety instructions

- Install and operate the device with care. Read the manual before installation and carefully follow all instructions contained therein. Use appropriate safety equipment during installation.
- Contact us for assistance if the instructions are not understood or you have any doubts about the safety of the installation.
- Do not use this product for any purpose or in any configuration that is not specifically stated in this manual. The manufacturer is not responsible for injury or damage resulting from improper installation or misuse of this product.

Kit contents

| Supplied Parts List | | | |
|--|---|--|--|
|  Pole a (x1) |  "C" Clamp b (x1) |  "C" Clamp Brace c (x1) |  Swivel Arms d (x2) |
|  VESA Plate e (x2) |  M5x14 Bolt f (x3) |  M8x12 Bolt g (x2) |  Nut h (x2) |
|  Grommet Base Plate m (x1) |  Wire Clip n1 (x1) |  Wire Clip n2 (x4) |  Allen Key o (x1) |
|  M4x10 Bolt q (x8) |  M4x30 Bolt r (x8) |  M4 Spacer s (x8) |  Laptop Tray t (x1) |
|  M4x10 Bolt u (x4) |  M4 Nut v (x4) | | |
| Not Included | | Phillips Screwdriver | |

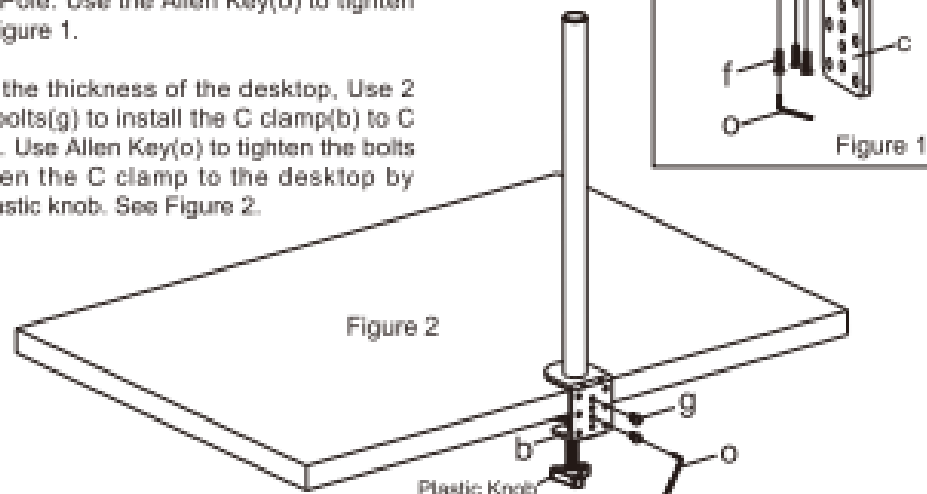
Installation instructions

Step 1 Install the Pole to the Desktop

Option A: Desk Clamp Assembly

1. Use 3 pieces M5x14 bolts(f) to install the C Clamp brace(c) to the Pole. Use the Allen Key(o) to tighten the bolts. See Figure 1.

2. According to the thickness of the desktop, Use 2 pieces M8x12 bolts(g) to install the C clamp(b) to C clamp brace (c). Use Allen Key(o) to tighten the bolts and then tighten the C clamp to the desktop by adjusting the plastic knob. See Figure 2.



Option B: Grommet Base Install

Existing Grommet Hole Installation

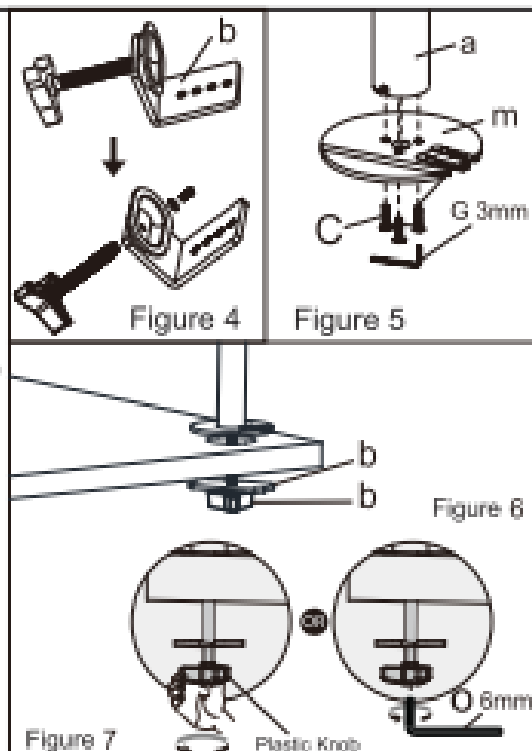
If the existing grommet hole comes with a plastic protector, remove it to ensure a flat surface before installing the desk mount.

1. Loosen the screws, separate the "C"-Clamp(b) into two part. see Figure 4.

2. Install the Grommet Base Plate(f) to the Pole(a) using 3pcs M5x14 Bolts(C), and tighten using the Allen Key(O 3mm), see Figure 5.

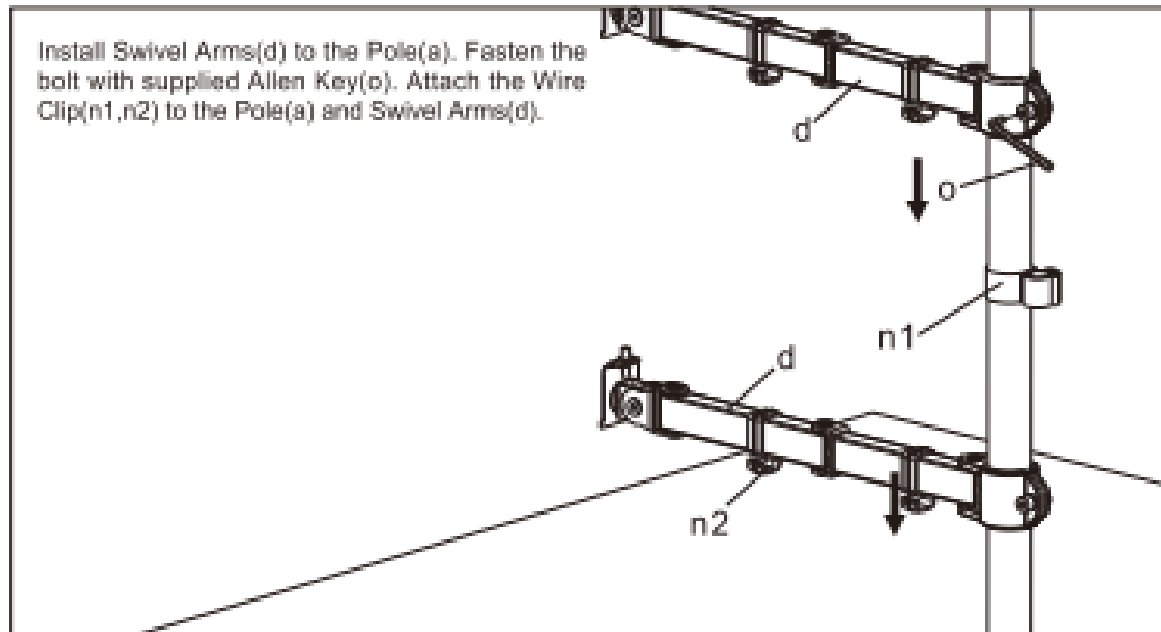
3. Using the bolt (shown in Figure 4) through the support plate (b) and grommet hole in desktop. see Figure 6.

4. Tighten the Support Plate(b) to the desktop using the plastic knob or Allen Key(O6mm). see Figure 7.

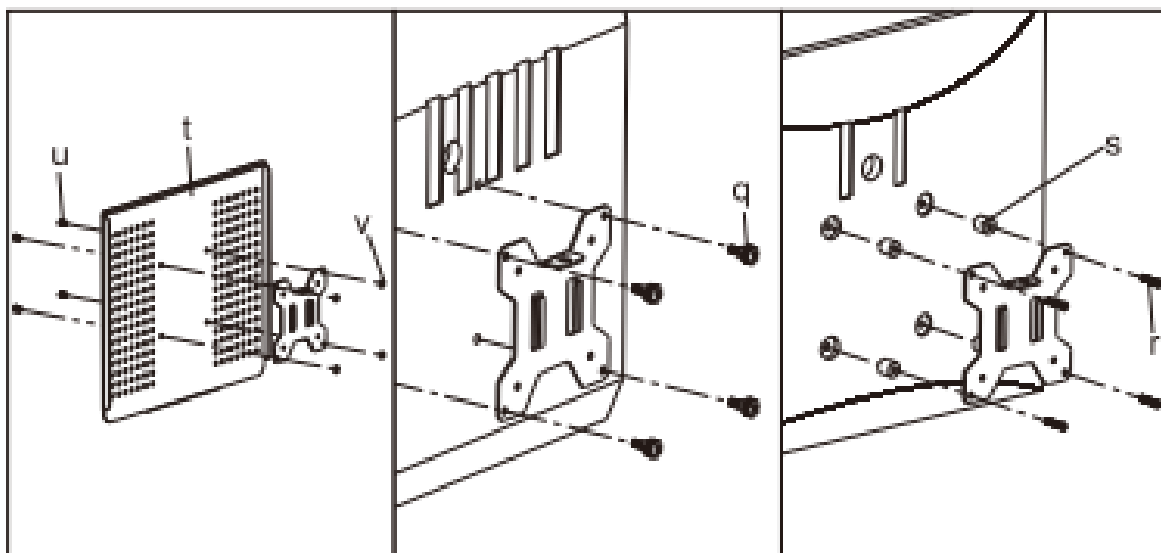


Step 2 Install Arm to the Pole

Install Swivel Arms(d) to the Pole(a). Fasten the bolt with supplied Allen Key(o). Attach the Wire Clip(n1,n2) to the Pole(a) and Swivel Arms(d).



Step 3 Attach the VESA Plate to the Laptop Tray or Monitor

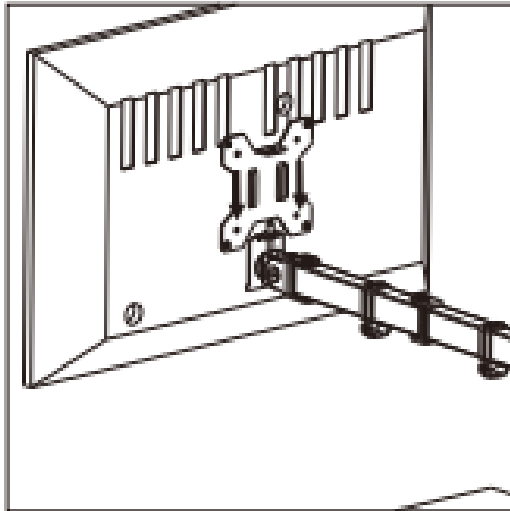


For Laptop

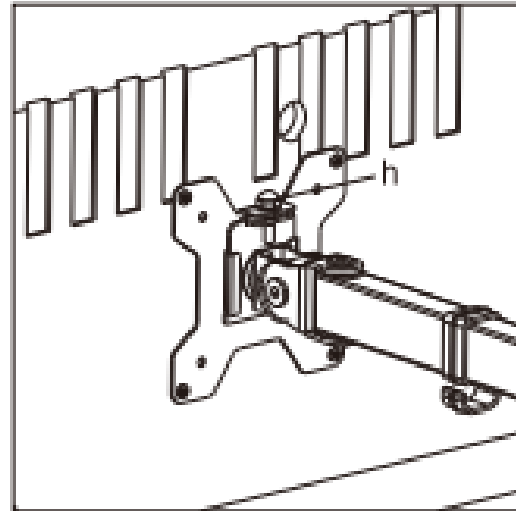
For Monitor with Flat Back

For Monitor with Curved
or Recessed Back

Step 4 Slide the Monitor onto the Head of Swivel Arm

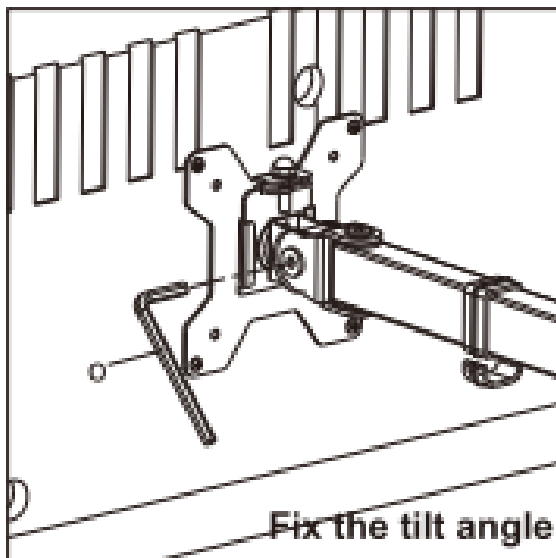


Slide the monitor onto the head of Swivel Arm(d) as shown in the above diagram.



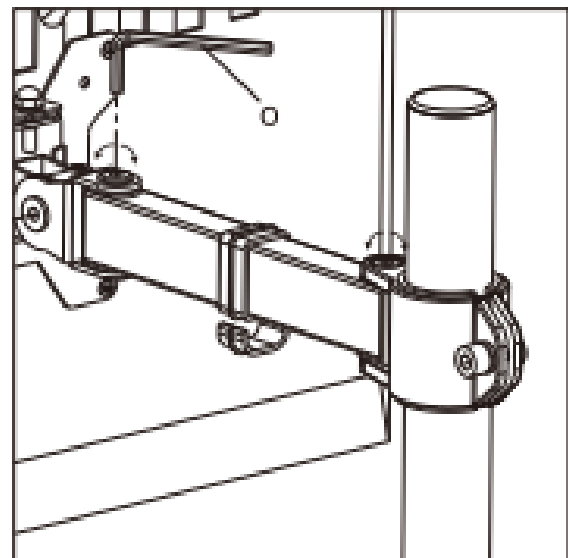
Install the security Nut(h). Make sure the security nut is installed before you rotate the monitor.

Step 5 Make the Necessary Adjustments



Fix the tilt angle

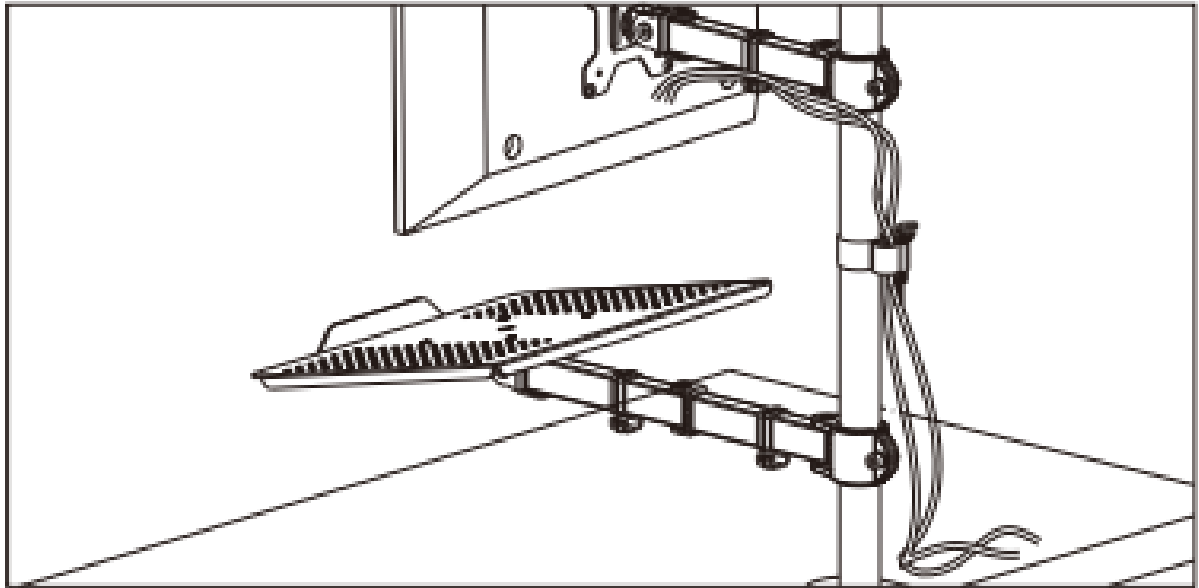
Tighten the bolt with the supplied Allen Key(o) to fix the tilt angle.



Use the supplied Allen Key(o) to make the necessary adjustments.

Step 6

Manage the Wires and Store the Allen Keys on Wire Clip



Step 7

All Done

