

User Manual

Document shredder paperCUT-N4210

Table of contents

- Specification..... 3
- The set contains:..... 4
- Features: 4
- Device description..... 5
- Warnings 6
- Installation.....7
- Safety Instruction 8
- Using Trash Bags in a Shredder.....10
- Manual.....13
- Overheating13
- Overload.....13
- Full Container14
- Open Doors.....14
- Troubleshooting.....14

Specification

- **Warranty:** 1 year
- **Safety level (DIN):** P-4
- **Cutting type:** trimmings
- **Size of processed material:** 2 x 10 mm
- **Type of media disposed of:** paper, plastic cards, CDs
- **Number of sheets shredded at the same time:** 10 sheets
- **Shredding speed:** 1.5 m/min
- **Shredder:** integrated into the housing
- **Duty cycle:** 20 minutes run/ 60 minutes break
- **Basket capacity:** 42.5 liters
- **Operating Volume:** 55 db
- - **Container Pulled Out Sensor:** Yes
- - **Overheat indicator:** Yes
- - **Auto Power On:** Yes
- **Wheels:** 4 pieces

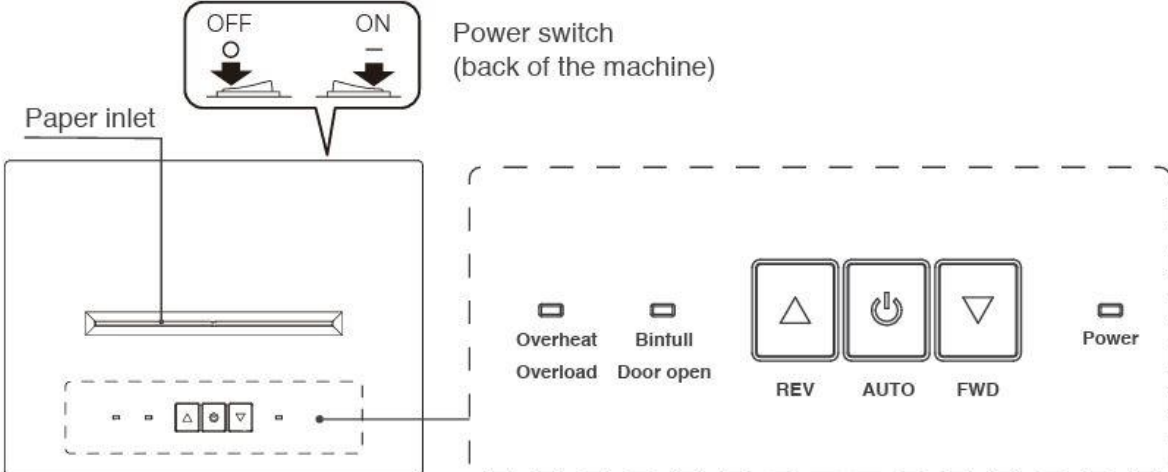
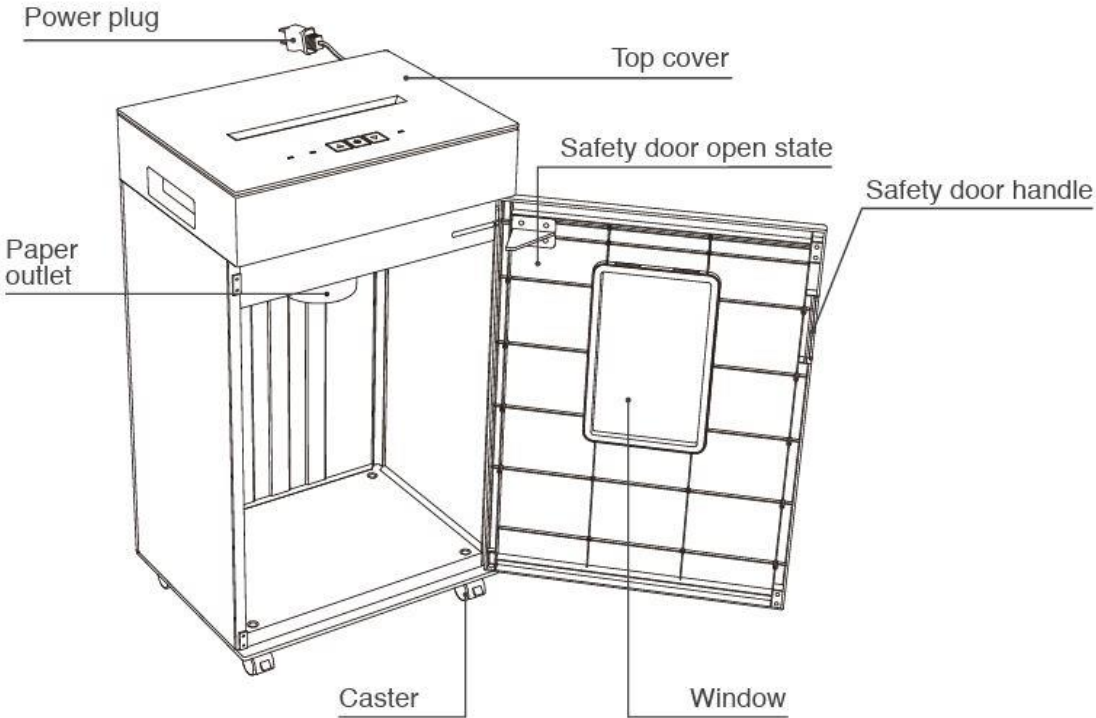
The set contains:

- paperCUT-N4210 Document Shredder
- Power cord
- Manual

Features:

- Disposal safety as defined by DIN level P-4
- Up to 10 sheets of paper can be recycled at the same time
- Roomy basket of 42.5 liters
- Quiet and comfortable operation
- Paper, plastic cards and CDs/DVDs can be disposed of

Device description



Warnings



CAUTION: KEEP THE APPLIANCE AWAY FROM CHILDREN AND PETS! Keep the shredder out of the reach of children.



DO NOT PLACE YOUR FINGERS TOO CLOSE TO THE FEED SLOT, AS THIS CAN CAUSE SERIOUS INJURY. There is a danger of your fingers getting caught in the feeder.



AVOID PLACING LOOSE CLOTHING OR JEWELRY NEAR THE FEED SLOT.



WATCH OUT FOR HAIR NEAR THE FEEDING SLOT. There is a risk of being pulled in by the feeder.



NEVER spray any aerosol products in or near the shredder.

NEVER dispose of flammable chemicals (e.g. nail polish, acetone, gasoline) in the shredder basket.

NEVER use any petroleum-based or flammable oils or greases in or near the appliance, as some oils may ignite, causing serious injury. Lubricants and oils intended for shredders are acceptable.



NEVER place the shredder near water or heat sources.
Direct contact with water should be avoided.

Stop using the appliance if:

1. The blades of the shredder are jammed with paper.
2. The shredder motor makes loud and/or erratic noises during operation.
3. The shredder blades or paper guides are bent or damaged in any way.

Continued operation of the shredder in the event of any of the above conditions may be potentially hazardous.

Installation

- The product may only be powered from the power source indicated on the marking.
- If you are unsure of the type of power available, consult an electrician.
- Make sure that the power outlet is easily accessible.
- The shredder must only be used in an upright position.
- To ensure proper ventilation of the shredder, place it at least 5 cm away from the wall or furniture.

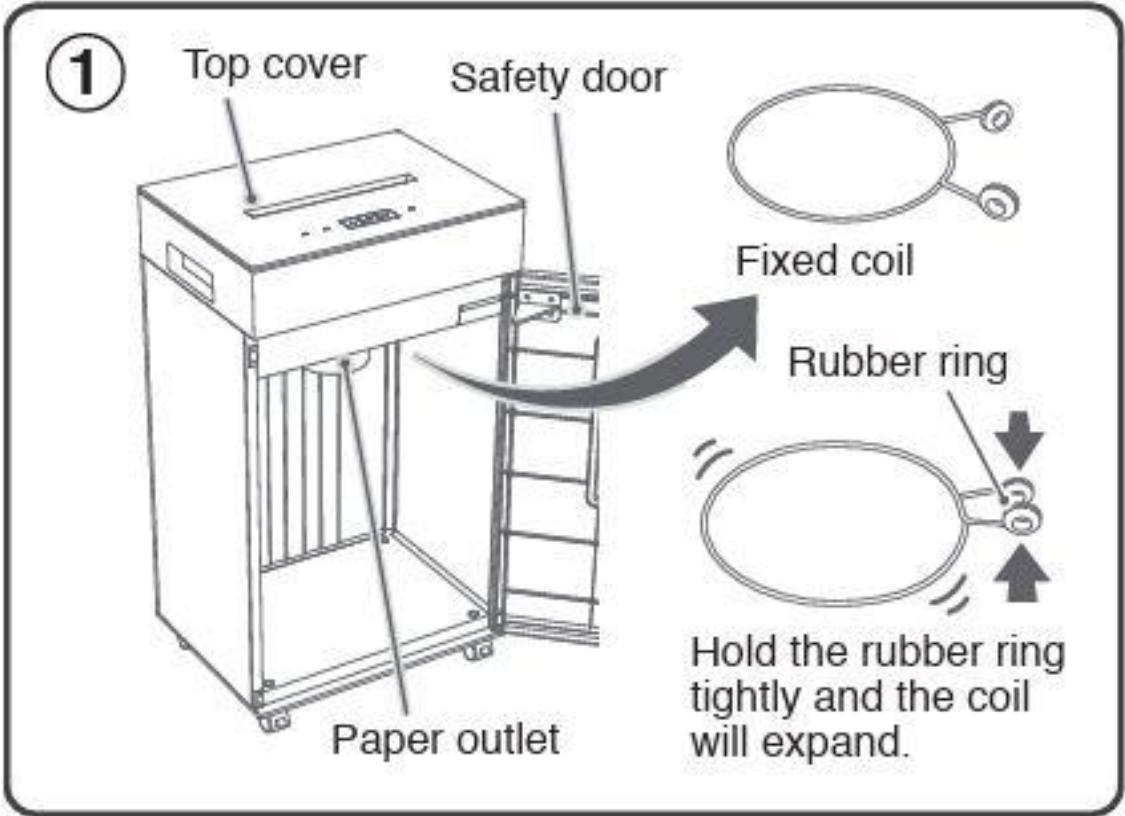
Safety Instruction

1. Before use, please read the instructions and follow the rules in them. Keep the manual for later reference.
2. Always switch off the appliance and disconnect it from the power supply before moving, servicing, cleaning, or other than normal operation. Clean the shredder housing with a damp cloth using a mild soap and water solution.
3. Do not use abrasives or petroleum-based cleaners to maintain the shredder.
4. The product should be placed as close as possible to the power source to allow it to be connected and disconnected quickly and easily.
5. Before removing the waste bin, turn off the power. It is recommended to unplug the power cord before opening the shredder basket.
6. The product should not be placed near a heater or other heat source.
7. There should be no object on the power cord. Do not place the shredder where there is a possibility of stepping on the power cord.
8. If an extension cord is used to connect the shredder, make sure that the total amperage (amperes) of the products connected to the extension cord does not exceed the amperage rating of the extension cord.
9. Do not attempt to service this product yourself, as opening or removing the covers may put the user at risk of injury. This will also void the warranty on the device.
10. Disconnect the product from the power supply and contact technical support when:

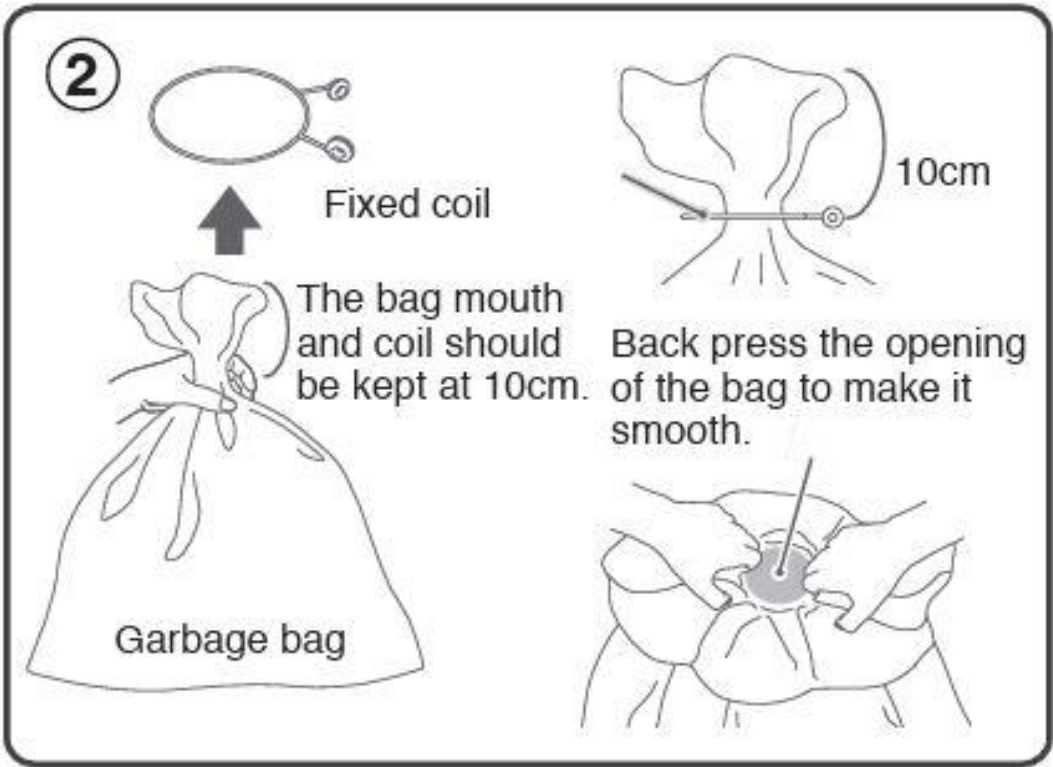
- The power cord or plug is damaged in any way.
 - Liquid has been poured over the product.
 - The product has been exposed to rain.
 - The product does not work properly, even if the instructions for use are followed.
 - The product has been dropped or its casing has been damaged.
11. The shredder should only be operated by an operator.
12. Empty the waste bin regularly to protect the appliance from overloading.
13. The machine can shred plain paper and credit cards. However, you should only destroy one type of these items at a time to avoid overloading.

Using Trash Bags in a Shredder

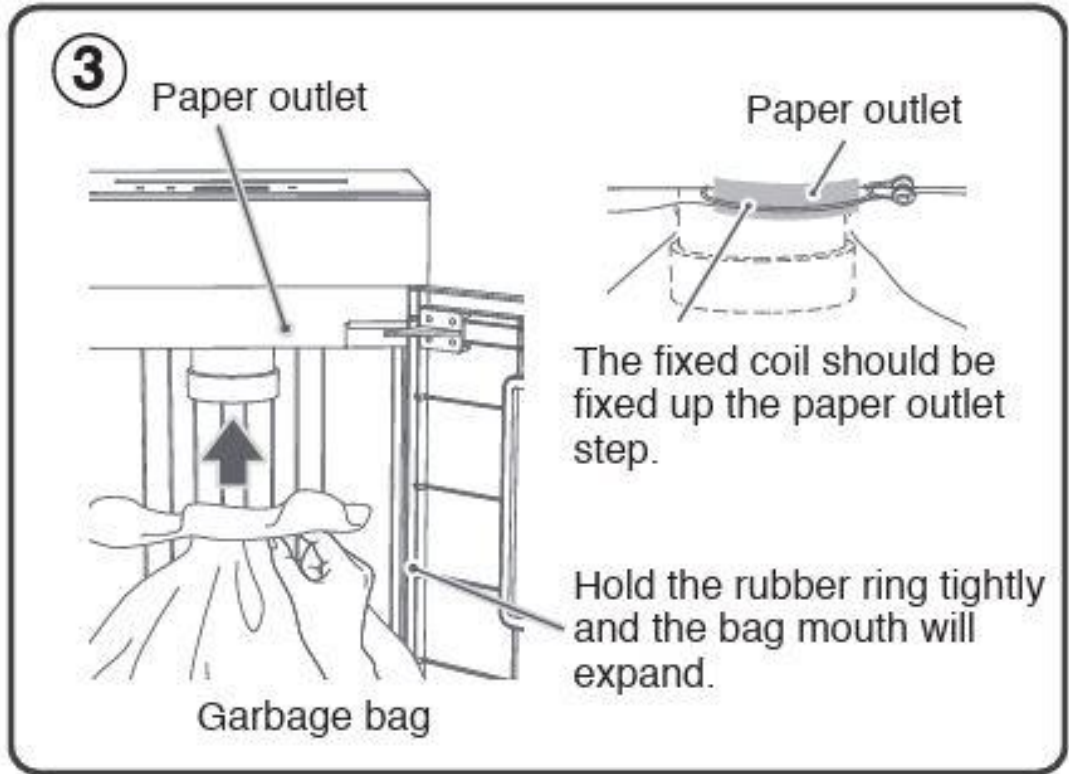
Use 45-litre garbage bags (transparent with the recommended thickness).



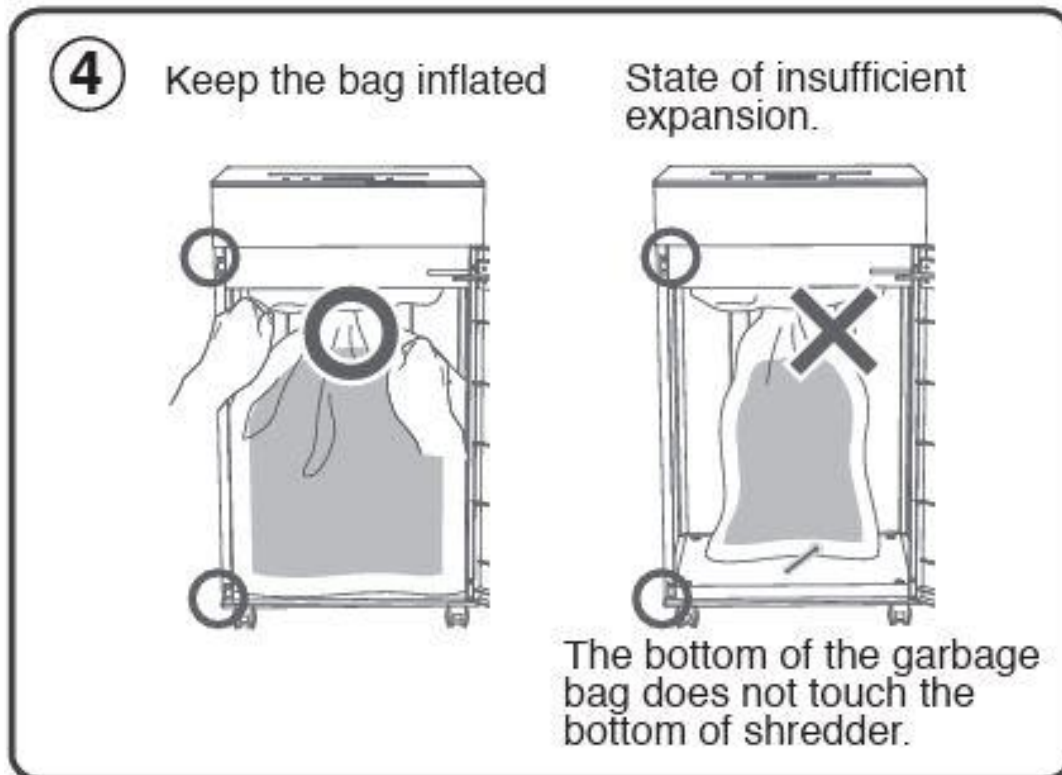
Underneath the top cover, there is a handle in the lower left corner. With it, open the security door to the right and the paper outlet will be closed. Then remove the clamp located on the paper hole.



Fill the bag with air and hold it with your hand at the top. Then put the clamp on the top of the bag and open the inlet of the bag again so that the clamp is at a height of 10 cm.



Hold the rubber ring firmly, covering the paper outlet with the trash bag. The clamp should be fixed on the top of the paper outlet.



The trash bag should contain air and touch the bottom of the shredder.

Important!

- Do not operate the shredder without a garbage bag.
- Once the data has been disposed of, do not close the door without the bag inside. This will open the paper outlet and spill out scraps of damaged documents.
- Do not close the door by force, as a blast of air caused by closing the door too hard and abruptly may cause paper residue from the disposal of the media to fall out of the outlet.

Manual

1. Place the appliance on level ground and plug the power cord into a power outlet.
2. Make sure the trash bag is properly fastened and the safety door is closed (See "Using Garbage Bags in the Shredder").
3. Turn on the power switch located on the back of the unit.
4. Press the "AUTO" button, the unit will be ready for operation when the "POWER" indicator lights up blue.
5. Check that there are no metal objects on the paper to be disposed of, such as a paper clip, binder, etc. Do not dispose of paper clips as this may damage the blades.
6. Place the paper in the center of the media slot, no more than 10 sheets at a time. The shredder will start disposing automatically.

Overheating

The shredder is equipped with a temperature sensor to protect the motor from thermal damage. If the sensor detects that the motor is too hot, it will automatically turn off the unit and the overheat LED indicator will illuminate red. This is normal.

If this happens, the shredder will need about 60 minutes to cool down. When the LED indicator stops illuminating, normal use can be continued.

Overload

If too many sheets are inserted into the paper slot, the machine will automatically stop shredding and the red overload LED

indicator will flash. In this case, press the "REV" button to remove the jammed paper. Remove the paper, recount the pages, and continue disposing of the paper without exceeding the maximum number of sheets to be shredded at a time.

Full Container

The red LED indicator will illuminate when the waste bag is full. The appliance will stop shredding immediately. In this case, replace the bag with a new one according to the instructions "Using the garbage bag in the shredder".

Open Doors

The red LED indicator will flash when the shredder door is not closed properly. The machine will stop shredding. Open and close the door again. If the LED stops flashing after doing the above, you can continue with disposal.

Troubleshooting

If you're having trouble with your shredder, check out the problems and solutions below. If you can't find a solution, contact your provider.

IMPORTANT!

Do not open the shredder head for repairs. Doing so may expose the user to electric shock and injury when in contact with sharp cutting knives. In addition, this action will void the warranty.

Problem:

The shredder does not turn on.

Solution:

- Make sure the shredder is plugged in.
- Make sure the AUTO button is turned on, as indicated by the blue LED indicator on the top of the case.
- Make sure the appliance has not overheated. (See the "Overheating" section.)
- Check that the red LED indicator indicating that the container is full is not illuminated. Then replace the bag with a new one.

Problem:

Paper is jammed in the paper slot.

Solution:

If a paper jam is detected in the paper inlet, the shredder stops working. Press the REV button to remove the jammed paper.

Problem:

The shredder stops abruptly during shredding.

Solution:

- Make sure the appliance has not overheated. (See the "Overheating" section.)

- Make sure the trash bag is not full. (See the "Full Container" section.)
- Make sure the door is properly closed. (See the "Open Doors" section.)