

# User Manual

---

## Desk with a lift-up top **deskTOP-24**

# Table of contents

- Specifications: ..... 3
- Set contents:..... 4
- Features: ..... 4
- Precautions..... 5
- Parts List ..... 6
- Assembly instructions .....7
- Control Manual .....12
- Troubleshooting Guide .....13
- Maintenance .....13

## Specifications:

- **Warranty:** 1 year
- **Type:** straight desk
- **Color:** Rustic Brown, Black
- **Tabletop dimensions:** 140 x 60 cm
- **Tabletop Type:** Four-piece MDF
- **Height adjustment:** electric
- **Number of electric motors:** 1
- **Height Adjustment Range:** 69~115cm
- **Maximum memory:** ~4 altitude settings
- **Width:** 140 cm
- **Height:** 80 cm
- **Depth:** 60 cm
- **Leg dimensions:** 8 x 5 cm
- **Leg base dimensions:** 58 x 6 cm
- **Maximum load:** 80 kg
- **Power Supply:** (IN) 100-240V, 50/60 Hz, 1.5 A, (OUT)
- **Cable length:** 200 cm
- **Additional components:** Cable holders and holes, two hook holders
- **Weight:** 28.5 kg
- **Weight with packaging:** 29.5 kg
- **Package dimensions:** 116 x 36 x 28 cm

## Set contents:

- Four-piece MDF worktop
- desk frame with supports and electric motor
- control panel with adapter and power supply
- Cable and power supply holder
- Keys
- Mounting Studs and Screws
- Installation instructions

## Features:

- **Tabletop Type:** Four-piece MDF
- **Tabletop dimensions:** 140 x 60 cm
- **Height adjustment:** electric
- **Color:** Rustic Brown, Black
- **Height adjustment range:** from 69 to 115 cm

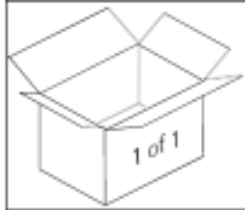
## Precautions











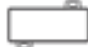





### **KEEP THIS INFORMATION FOR FURTHER REFERENCE.**

1. Please read the instructions carefully and use the product accordingly.
2. This summary may not include all the details about all the variants and steps considered. Please contact us when you need further information and assistance.
3. Please follow the assembly instructions carefully and only use the product for its intended purpose.
4. If the smell is present when the package is first opened, Leave the unpackaged product in a shady and airy place for a few days to ventilate.
5. Before assembly, inspect the product for defects or missing accessories. If you find any defects or the accessories are missing, do not use the product as damage or injury may occur
6. Contact us for help and replacement.
7. During assembly, you must first lightly tighten all of them in the correct position, and then tighten them completely. A Phillips screwdriver is recommended but not included.
8. It is recommended to check and connect the products regularly to ensure safe use.
9. Assemble the workpiece on a soft and clean surface to avoid scratches and damage.
10. Keep parts and packaging materials away from children and pets during assembly, as this may cause injury and may be a choking hazard.
11. Avoid sharp objects or chemicals to prevent damage to the product.

12. Open the object slowly and carefully to avoid trapping hands with metal connectors, especially children.

## Parts List



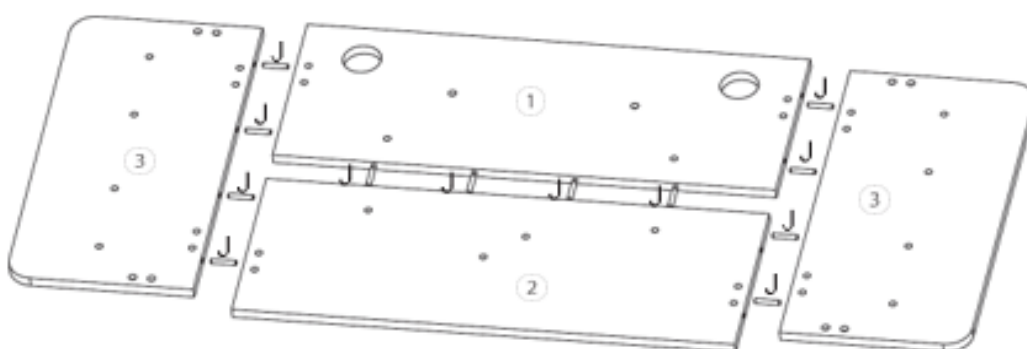
<p>A  Power Cable x 1 pc</p>	<p>B  Controller x 1 pc</p>	<p>C  Leveling Studs x 4 pcs</p>
<p>D  Wire Clips x 5 pcs</p>	<p>E  4mm Allen Key x 1 pc</p>	<p>F  2.5mm Allen Key x 1pc</p>
<p>G  Screws M6X12 x 36 pcs</p>	<p>H  Screws M5X8 x 14 pcs</p>	<p>I  Screws M6X30 x 10 pcs</p>
<p>J  Wooden Rod x 14 pcs</p>	<p>K  AC Adapter x 1 pc</p>	<p>L  Wire Basket x 1 pc</p>
<p>M  Hook x 2 pcs</p>	<p>N <b>X2</b> Outlet Box x 2 pcs</p>	<p>O  Iron Connector x 4 pcs</p>
<p>P  Circle x4 pcs</p>	<p>Q  Hexagonal bar x1 szl</p>	

# Assembly instructions

**1**

**J X 12**  
Wooden Rod

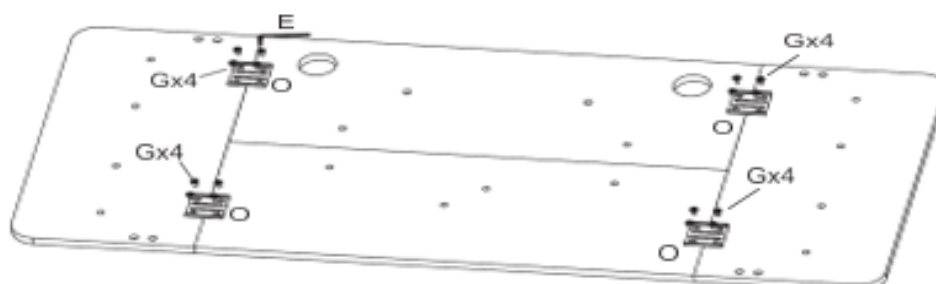
Uwaga: Dwa dodatkowe drewniane pręty w torbie na akcesoria



**2**

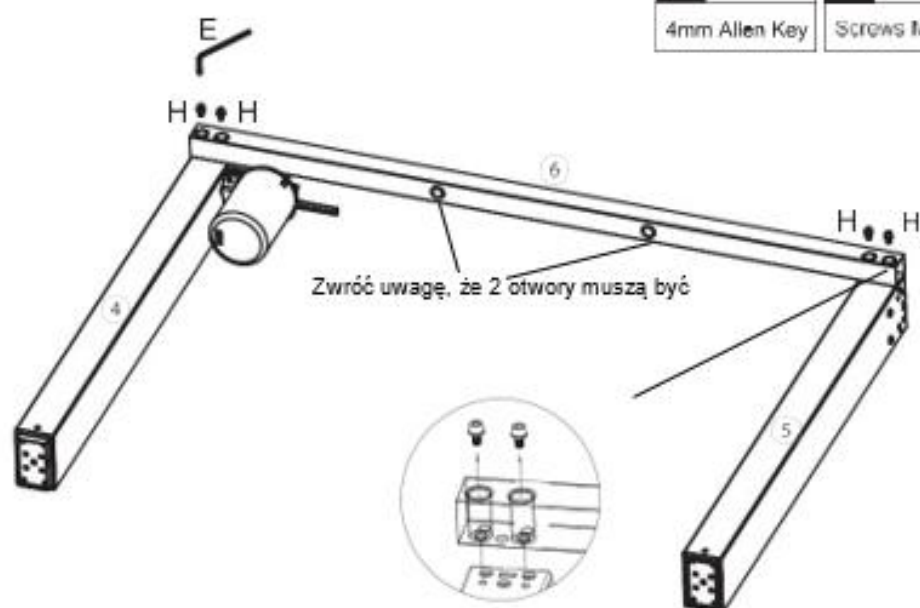
<b>X 1</b>	<b>G X 16</b>	<b>X 4</b>
4mm Allen Key	Screws M6X12	Iron Connector


Uwaga: Poziomy pręt na żelaznym złączu powinien być prostopadły do szwu połączenia panelu stołu



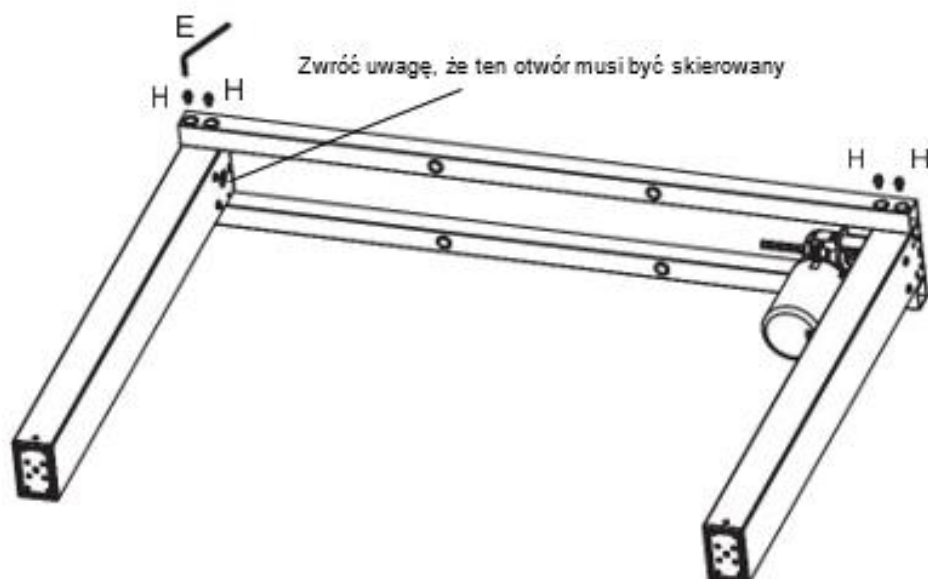
**3**

<b>E</b> X 1	<b>H</b> X 4
4mm Allen Key	Screws M5X8

**4**

Install the another  -Support Beam on the other side in the same way as in step 3.

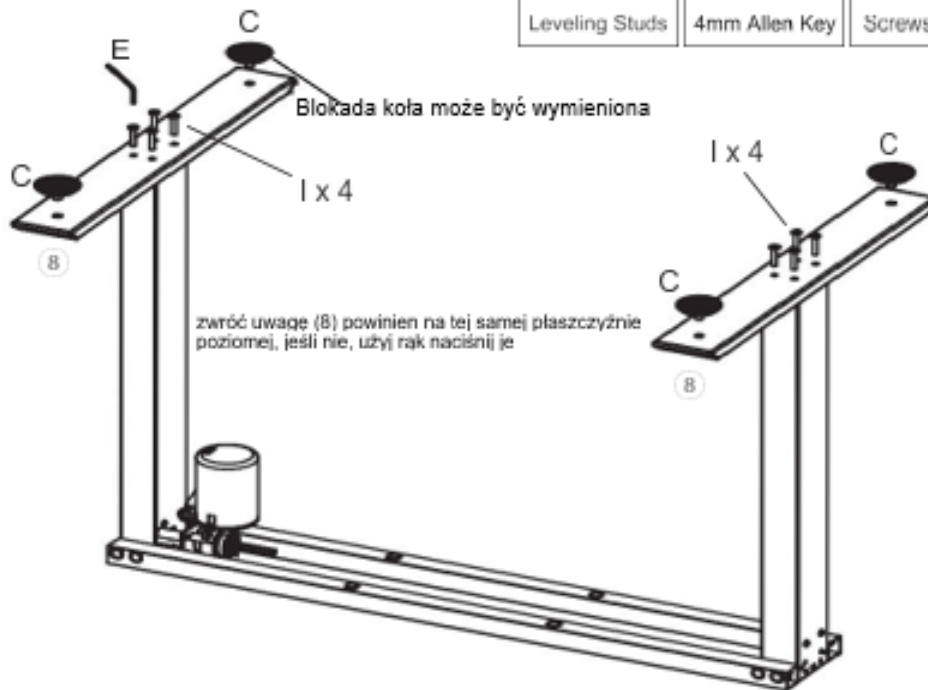
<b>E</b> X 1	<b>H</b> X 4
4mm Allen Key	Screws M5X8





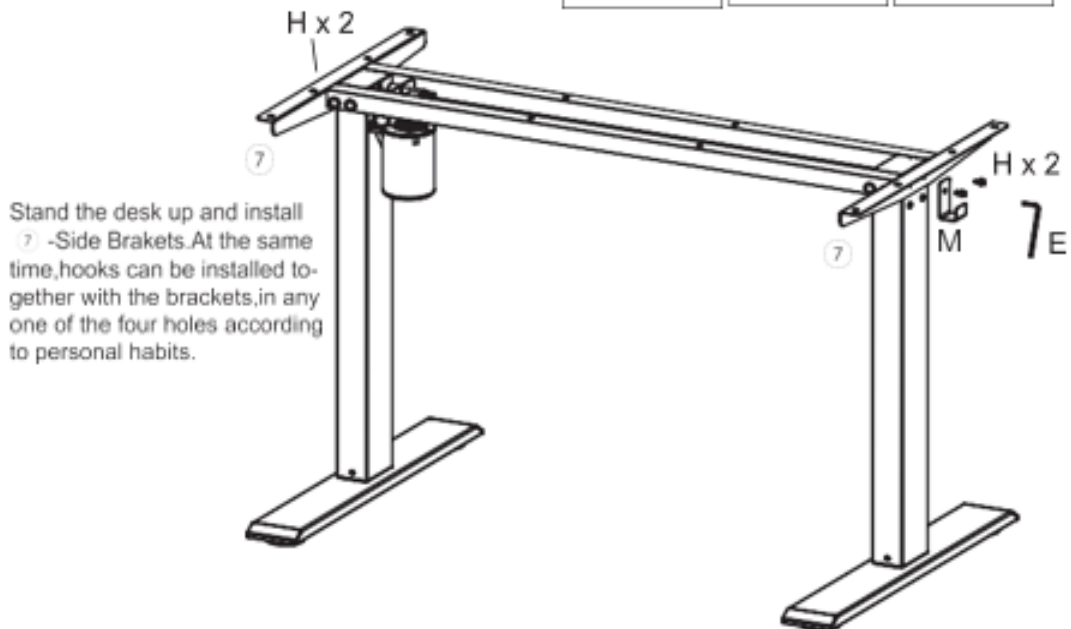
# 5

<b>C</b> X 4	<b>E</b> X 1	<b>I</b> X 8
Leveling Studs	4mm Allen Key	Screws M6X30



# 6

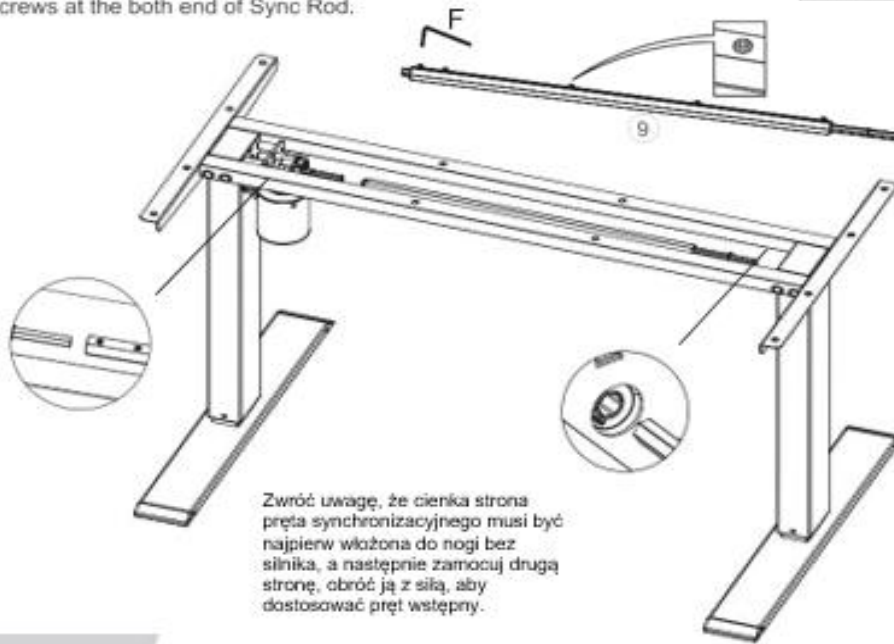
<b>M</b> X 2	<b>E</b> X 1	<b>H</b> X 4
Hook	4mm Allen Key	Screws M5X8



# 7

Install the  $\varnothing$  -Sync Rod and tighten the two screws at the both end of Sync Rod.

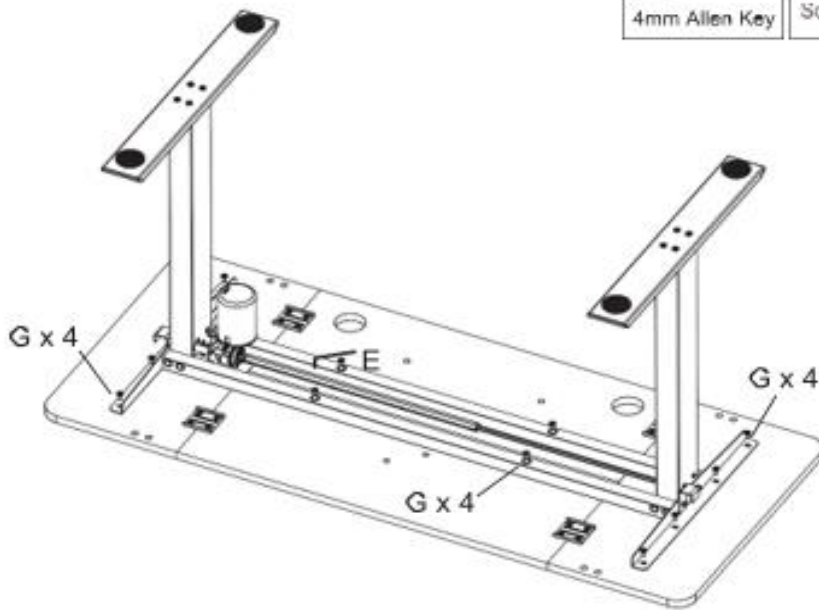
<b>F</b>	<b>X 1</b>
2.5mm Allen Key	



# 8

Install the frame on the desktop.

<b>E</b>	<b>X 1</b>	<b>G</b>	<b>X 12</b>
4mm Allen Key		Screws M6X12	

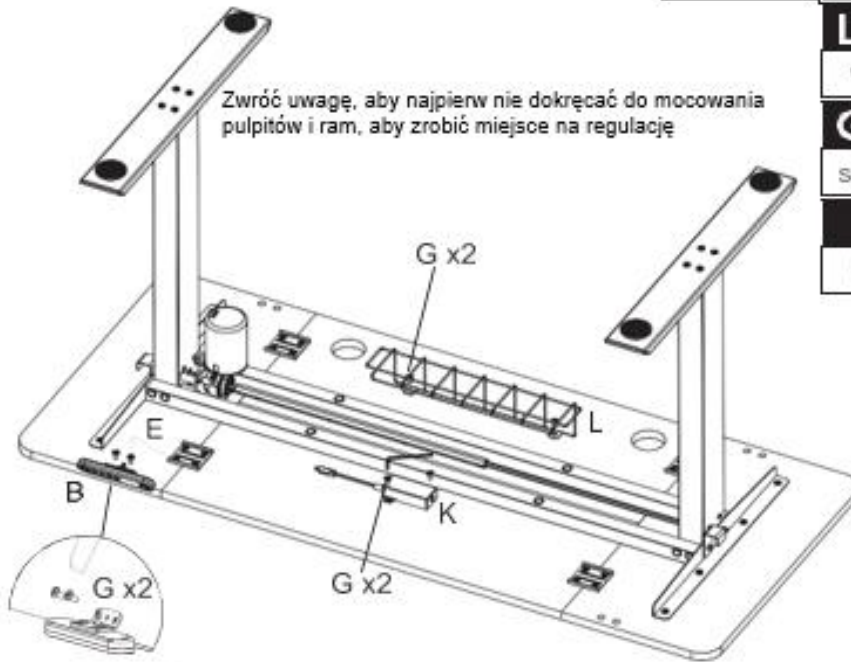


# 9

Install K -AC Adapter, B -Controller and L -Wire Basket on the desktop.

<b>E</b> X 1	<b>B</b> X 1
4mm Allen Key	Controller
<b>L</b> X 1	<b>L</b> X 1
	Wire Basket
<b>G</b> X 6	<b>G</b> X 6
	Screws M6x12
<b>K</b> X 1	<b>K</b> X 1
	AC Adapter

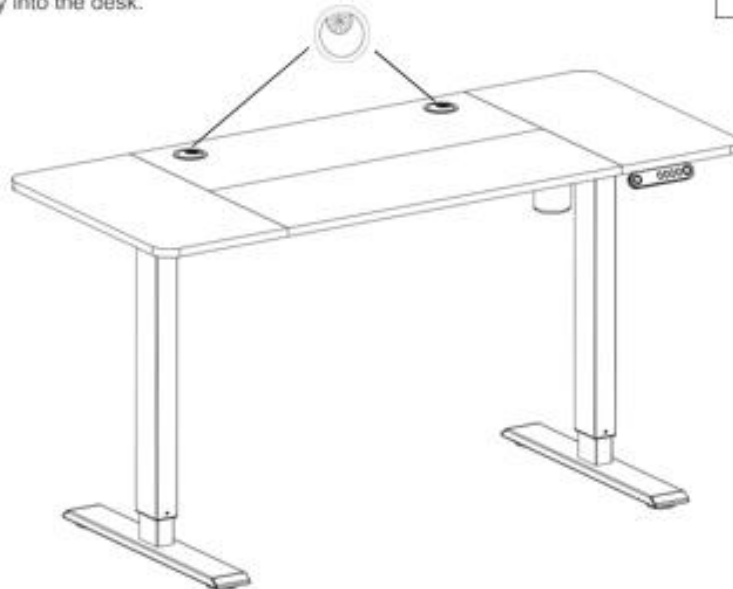
Zwróć uwagę, aby najpierw nie dokręcać do mocowania pulpitów i ram, aby zrobić miejsce na regulację



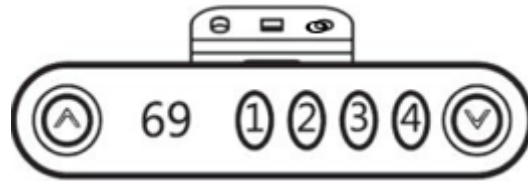
# 10

Stand the desk up and press the outlet box firmly into the desk.

<b>N</b> X 2
Outlet Box



# Control Manual



<p>Setting Reset</p>	<p>Method 1: Press and hold and the "down arrow" buttons on the earphone at the same time for 4 seconds, it shows "000", until you hear a beep, release the buttons. The desk will slowly drop automatically (it will have a bounce and rise about 5cm) until it shows "69" and you hear a beep, the reset is successful.</p>
<p>Adjustment height</p>	<p>Up: Up arrow, Down: Down arrow.</p>
<p>Switch Display</p>	<p>Press the "down arrow" 2 times when the desk is in the lowest position to switch cm to inches.</p>
<p>Memory height</p>	<p>Press and hold any of the memory buttons (1, 2, 3, or 4) until you hear a beep. Release the button and this position height will be stored in memory. When you need to use the working height of memory, press</p>

	<p>memory position button and the desktop will automatically adjust to the memory height.</p> <p>Note: This standing desk has 4 different height memories., Saved positions are still valid when the power is turned off.</p> <p>You can use the up and down buttons to adjust the standing desk to the height you need to work at.</p>
--	---

## Troubleshooting Guide

If your standing desk isn't working properly, you may need to reset it.

If you get any error codes, you need to reset them.

If it still doesn't work after resetting, please contact us for more help.

## Maintenance

1. During daily maintenance, use a clean, soft cloth to remove dust from the surface. Do not use a wet cloth or hard materials to wipe the table surface.

2. Avoid surface contact with acid-based chemicals.

3. For light scratches, wipe gently with a soft cloth.