

# Manual

---

## 3 Monitor Desktop Mount **SolidHand-SG03**

## Table of contents

Specifications:.....	2
Kit contents:.....	2
Safety Information .....	3
Standard VESA.....	3
Weight Limitation.....	4
Product characteristics.....	5
Tools needed .....	6
Parts included in the set.....	6
Mounting the Bar from the Arm .....	11
Clamp mounting or mounting anywhere on the countertop .....	12
Arm Assembly.....	14
Mounting Plates on Monitors.....	15
Hanging monitors on the mount .....	15
Trading Limit.....	16
Gas Spring Tension Adjustment .....	16
Tilt adjustment.....	17

## Specifications:

- **Warranty:** 1 year
- **Color:** Black
- **Material:** steel
- **Load:** 2 to 9 kg
- **Min. monitor diagonal:** 13"
- **Max. Monitor Diagonal:** 27"
- **VESA standard:** 75x75, 100x100
- **Height adjustment:** gas spring assisted
- **Arm Rotation Range:**  $\pm 360^\circ$
- **Monitor Swivel Range:**  $\pm 90^\circ$
- **Monitor tilt range:**  $\pm 45^\circ$
- **Dimensions:** 17 x 40.5 x 16 cm

## Kit contents:

- Monitor Mount
- Mounting washers and screws
- Assembly Instructions

## Safety Information

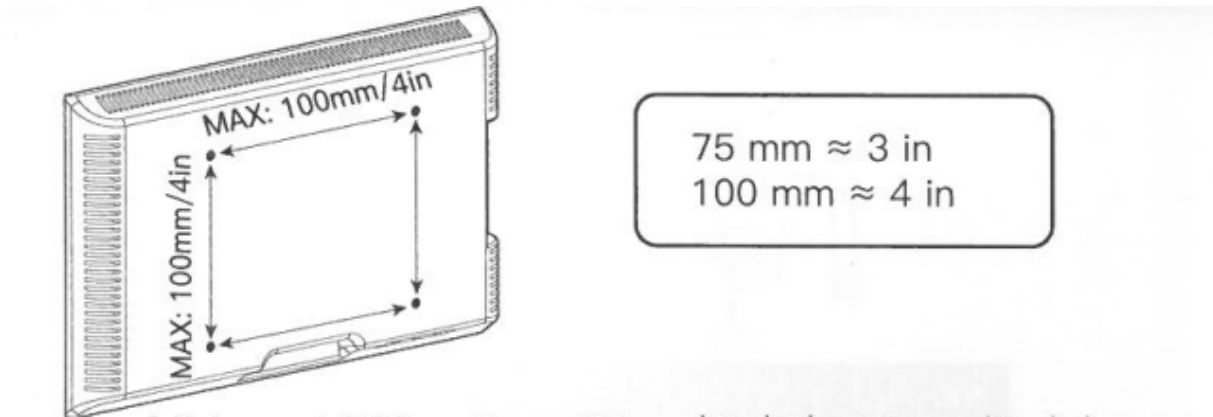
Please read all instructions carefully before proceeding with the installation. If you have any doubts or questions, please contact our customer service.

### **REMARK:**

- Do not use this product for any purpose other than as expressly stated in this manual.
- Do not exceed the permissible weight. We are not responsible for damage or injury caused by improper assembly, improper assembly, or improper use.
- The product contains a high-pressure gas spring, it is forbidden to use fire and hit. It is also forbidden to disassemble it without the help of professionals.
- The desk on which the handle is to be attached should be capable of supporting a weight of three times the weight of the total load (mount, monitor and all accessories). Do not use the product on chipboard.

## Standard VESA

Before installation, you should check the compatibility of the VESA standard with the monitor you want to install.



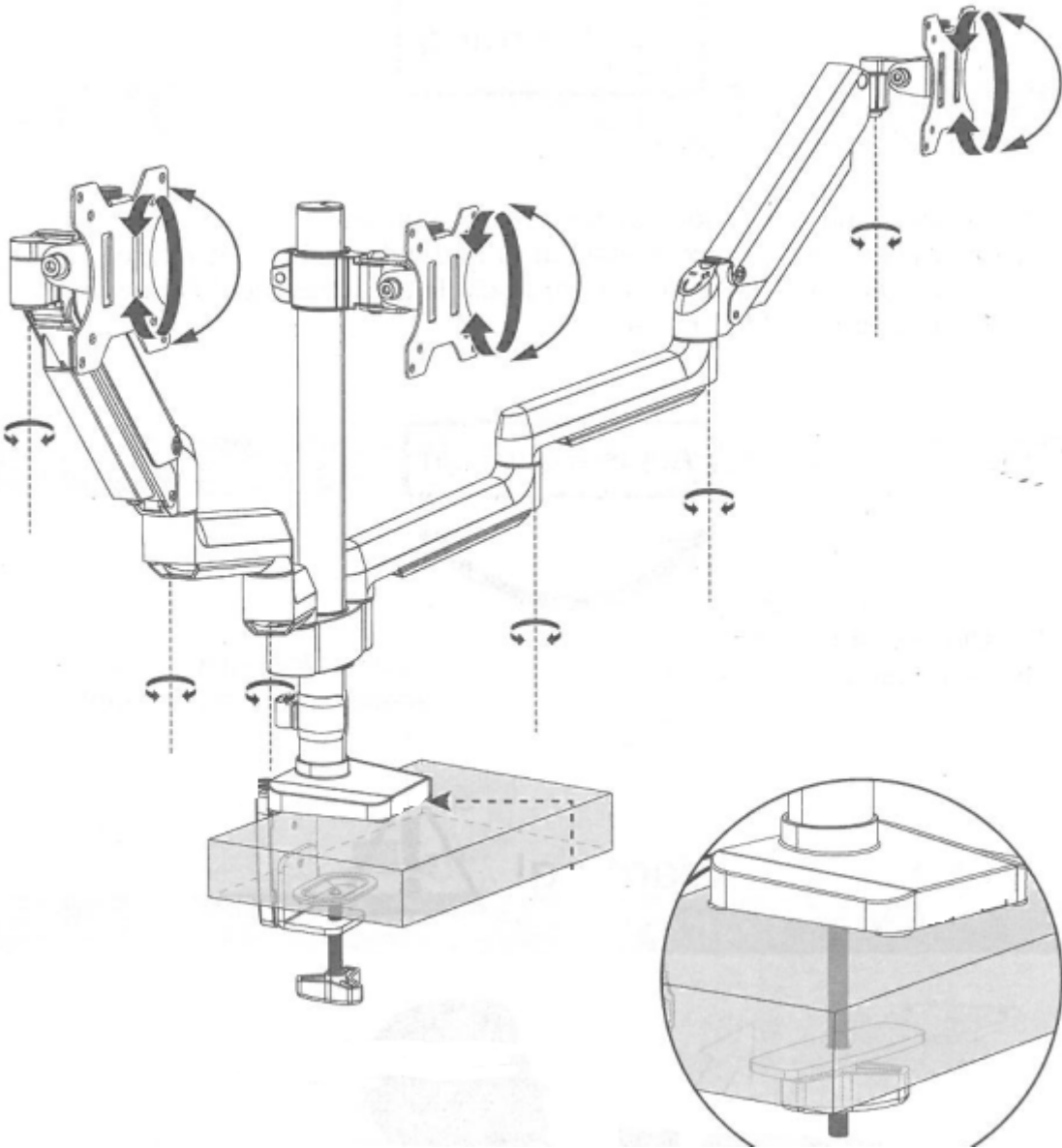
Minimum VESA standard: 75 mm/ 3 in (W) x 75 mm/3 in (H)

If the size of your VESA monitor is larger than 100 x 100 mm/4 x 4 inches or smaller than VESA 75 x 75 mm/3 x 3 inches, this mount is NOT compatible.

## Weight Limitation

Do not exceed the maximum load indicated. This mounting system is intended for use within the specified maximum loads only. The use of products with a weight greater than the indicated maximum may result in the failure of the handle and mounted accessories, resulting in damage or injury.

# Product characteristics



Clamp mounting

Countertop mounting

## REMARK:

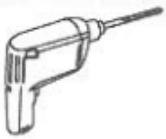
Tension adjustment should only be done after the handle has been installed.

Do not adjust the mount without a monitor.

Before adjustment:

- Make sure the monitor is attached to the mount.
- Make sure what the net weight of the monitor is.
- Make sure that the net weight of the monitor (including accessories) is between 2 kg and 9 kg per arm.

## Tools needed



Drill



drill bit



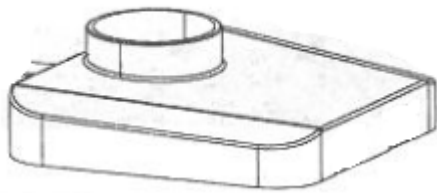
screwdriver

## Parts included in the set

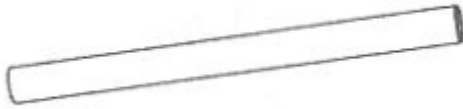
**WARNING:** This product contains small components that may pose a choking hazard if swallowed. Therefore, it should be kept away from children.

Before starting assembly, check that all parts are included and that they are not damaged. Do not use damaged or defective parts. If you need to replace parts, please contact our customer service.

**NOTE:** Not all parts included in this kit will be used.



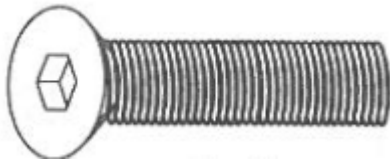
Base (1x) 01



Pole (1x) 02



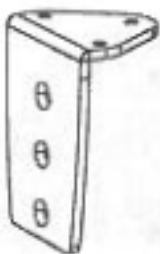
Adhesive pads (1x) 10



Screw M6x20 mm (3x) C



Allen wrench 5/32 inch, 4 mm (1x) D



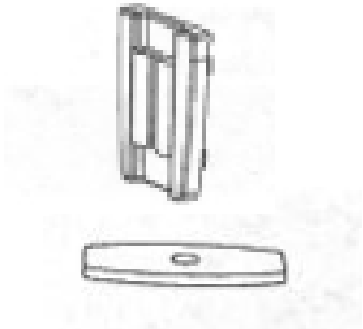
Clamp washer (1x) 03



Through Screw (1x) 05

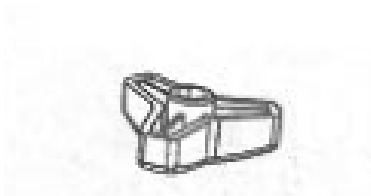


Through-Hole Plate (1x) 06



Cable cover (1x) 04

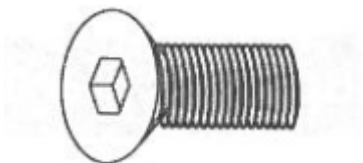
Locking plate (1x) 07



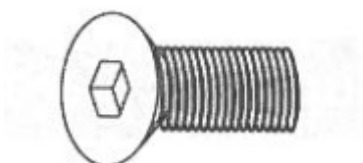
Knob (1x) 08



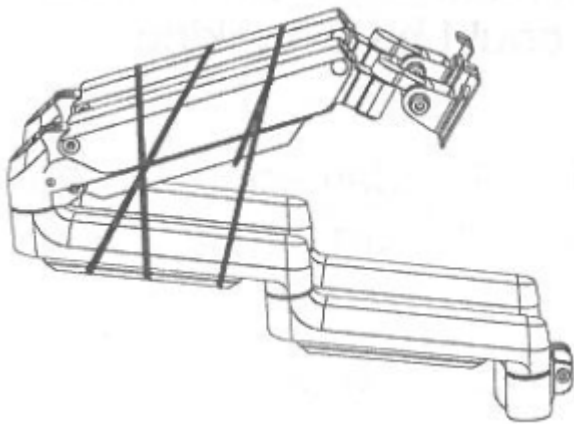
Clamp (1x) 09



Screw M6x10 mm (2x) A



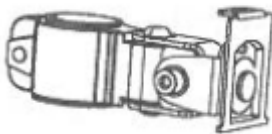
Screw M6x12 mm (3x) B



Mounting arm (1x) 12



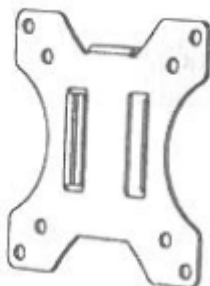
Cable clip (1x) 11



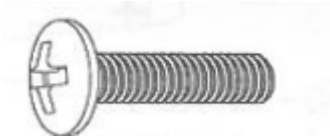
Monitor Connector (1x) 13



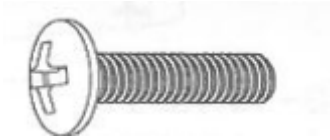
15/64" (6 mm) Allen key 1x E



Monitor Board (3x) 14



Screw M4 x 12 mm (12x) M-A



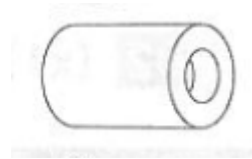
Screw M4 x 30 mm (12x)

M-B



M4 Washer (12x)

M-C



Spacer (12x)

M-D



Screw M6 x 12 mm (3x) 15

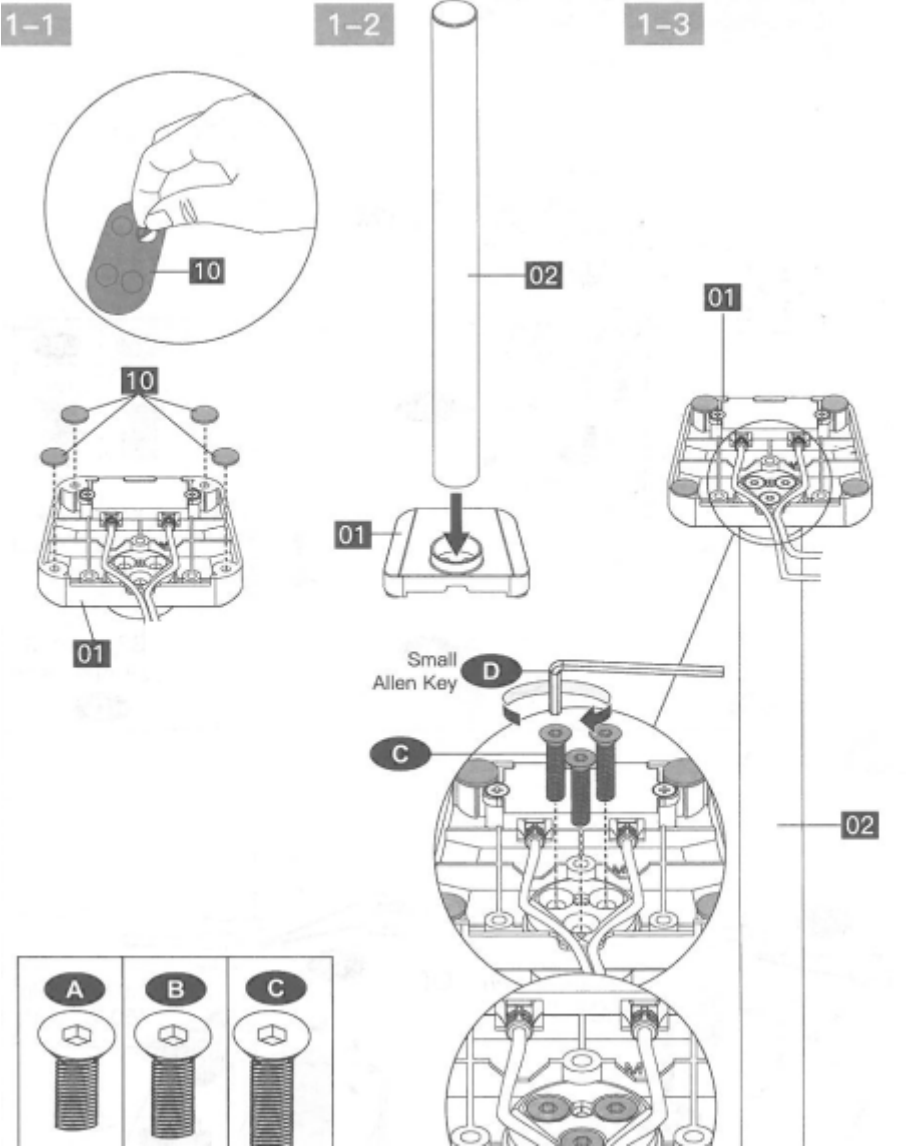


Allen key 15/64" (6mm) 1x E



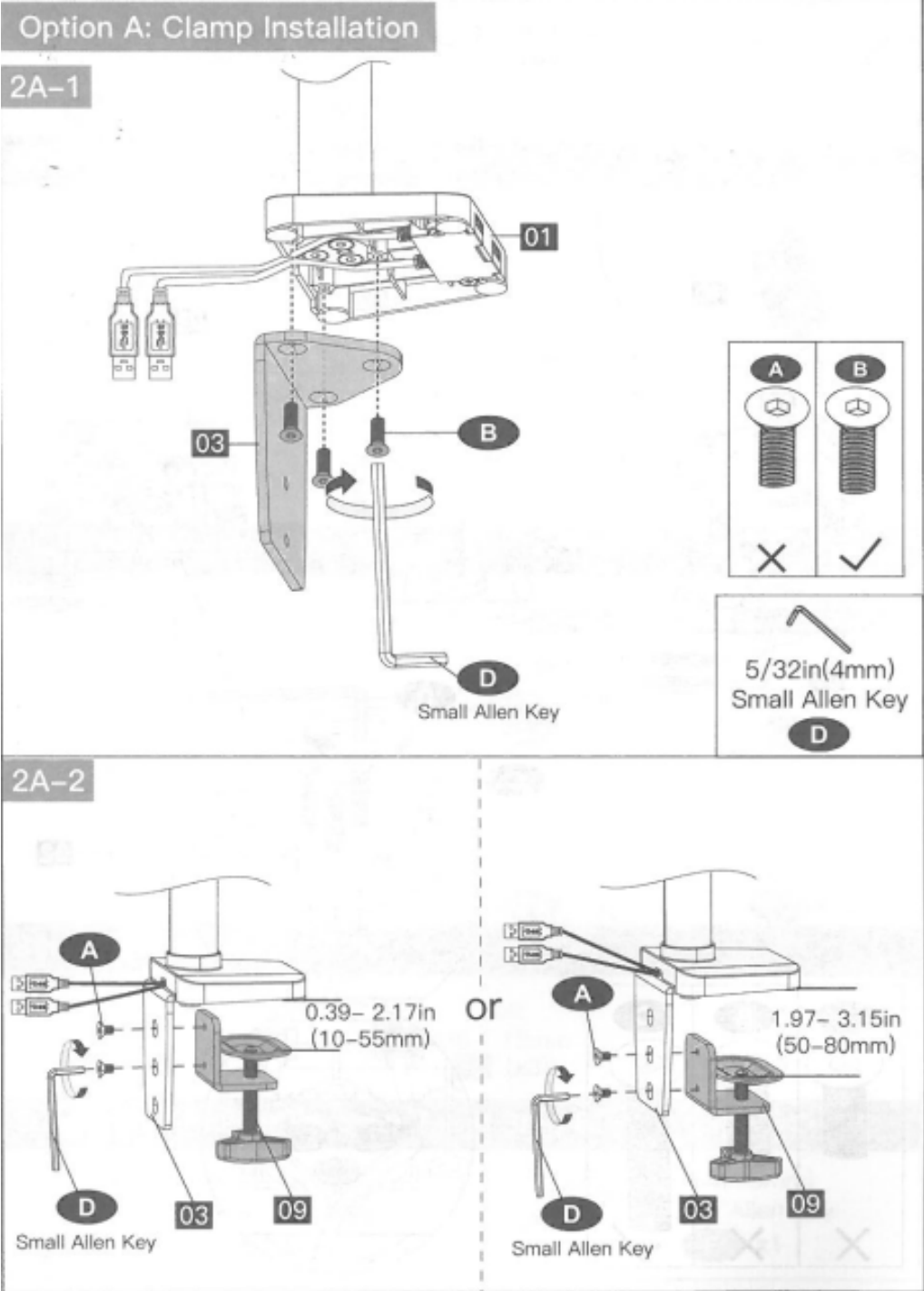
13/64" (5 mm) Allen key 1x F

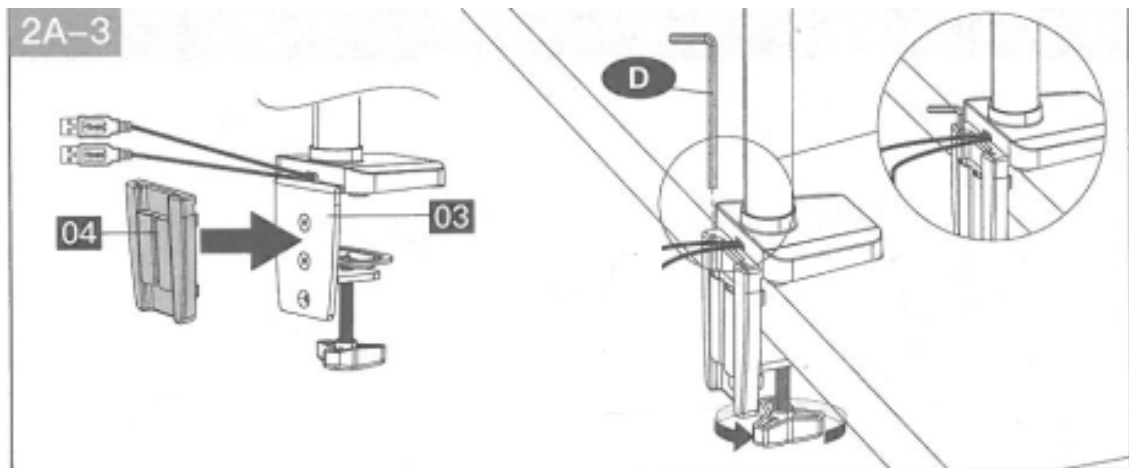
# Mounting the Bar from the Arm



Clamp mounting or mounting anywhere on the countertop

**Mounting on a clamp to the table top**





## Installation anywhere

**Option B: Grommet Base Installation**

**2B-1** **2B-2**

**2B-3**

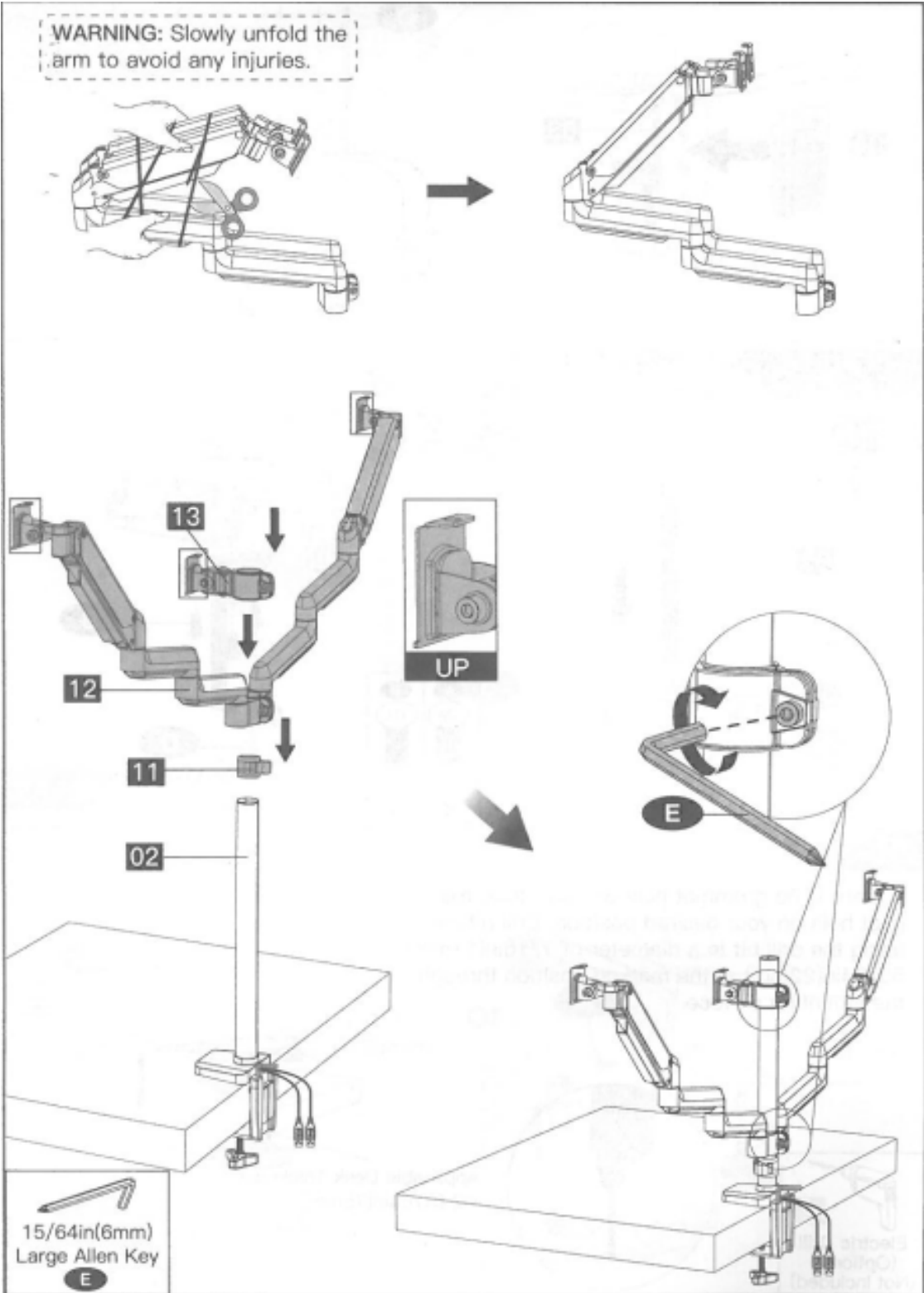
If there is no grommet hole on your desk, mark a pilot hole on your desired position. Drill a hole using the drill bit in a diameter of 7/16in(11mm) – 55/64in(22mm) at the marked position through the mounting surface.

Electric Drill (Optional) (Not Included)

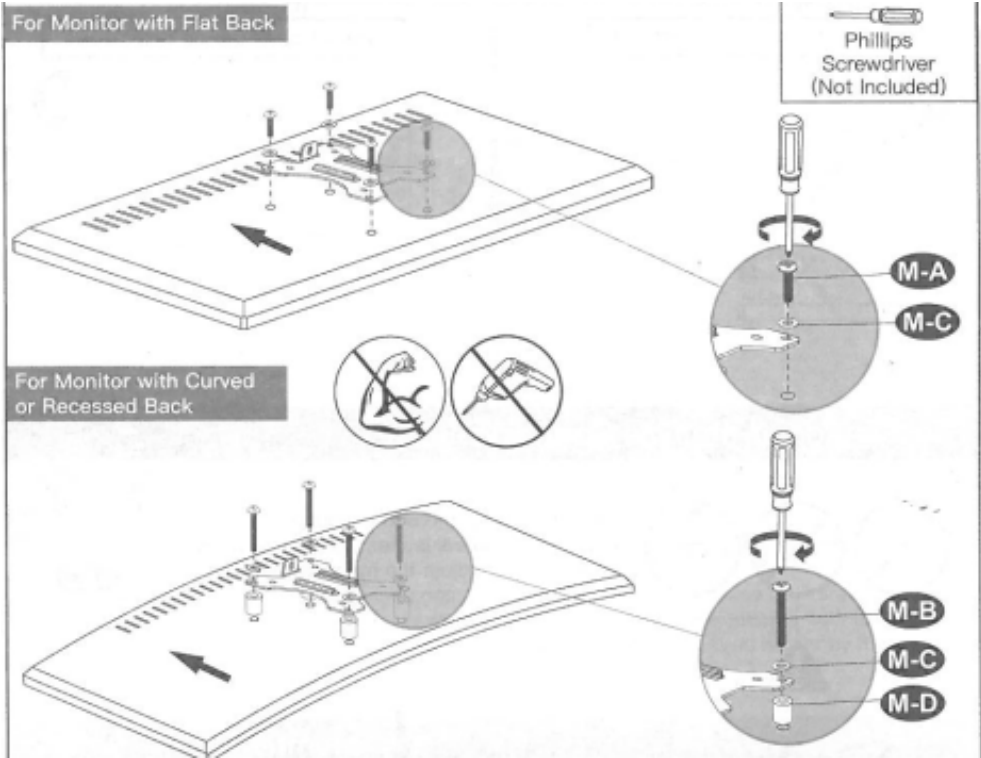
Applicable Desk Thickness:  $\leq 2 \frac{61}{64}$ in(75mm)

# Arm Assembly

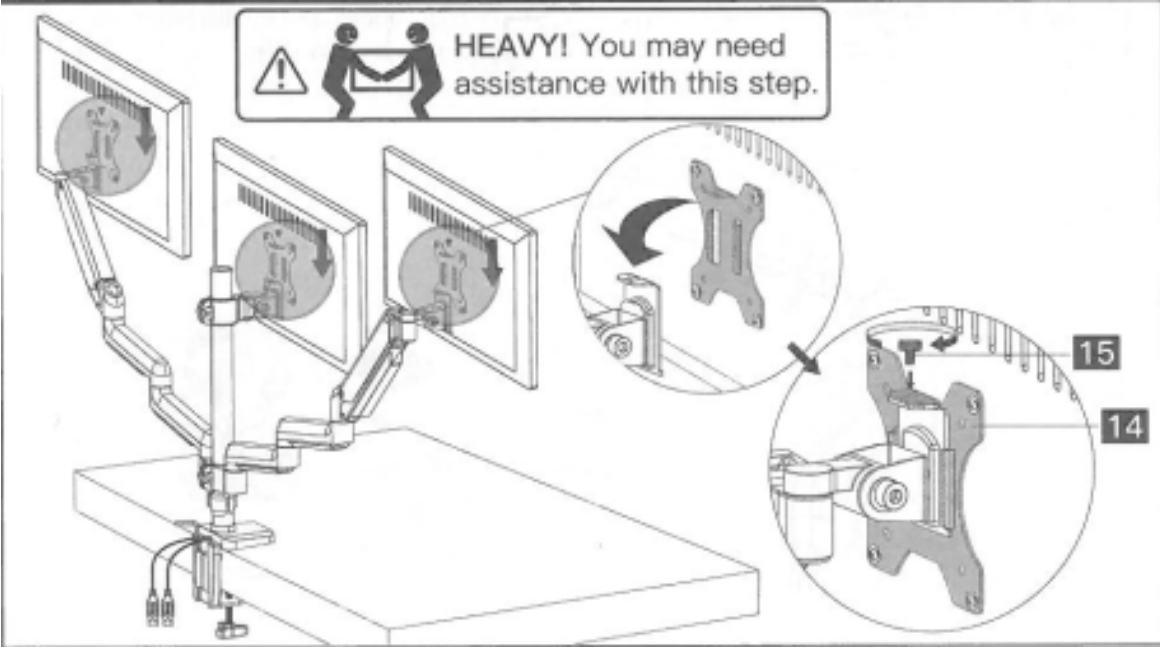
**NOTE:** Slowly unfold your arm to avoid injury.



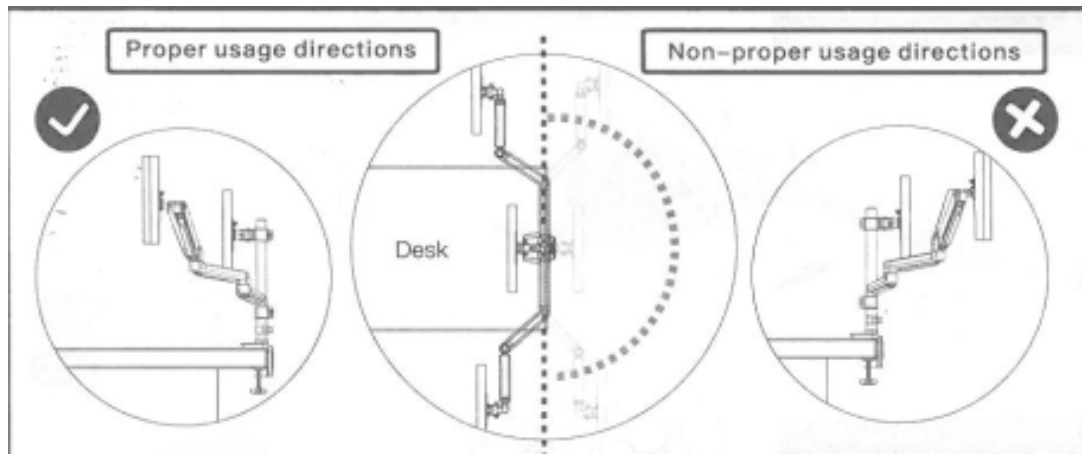
# Mounting Plates on Monitors



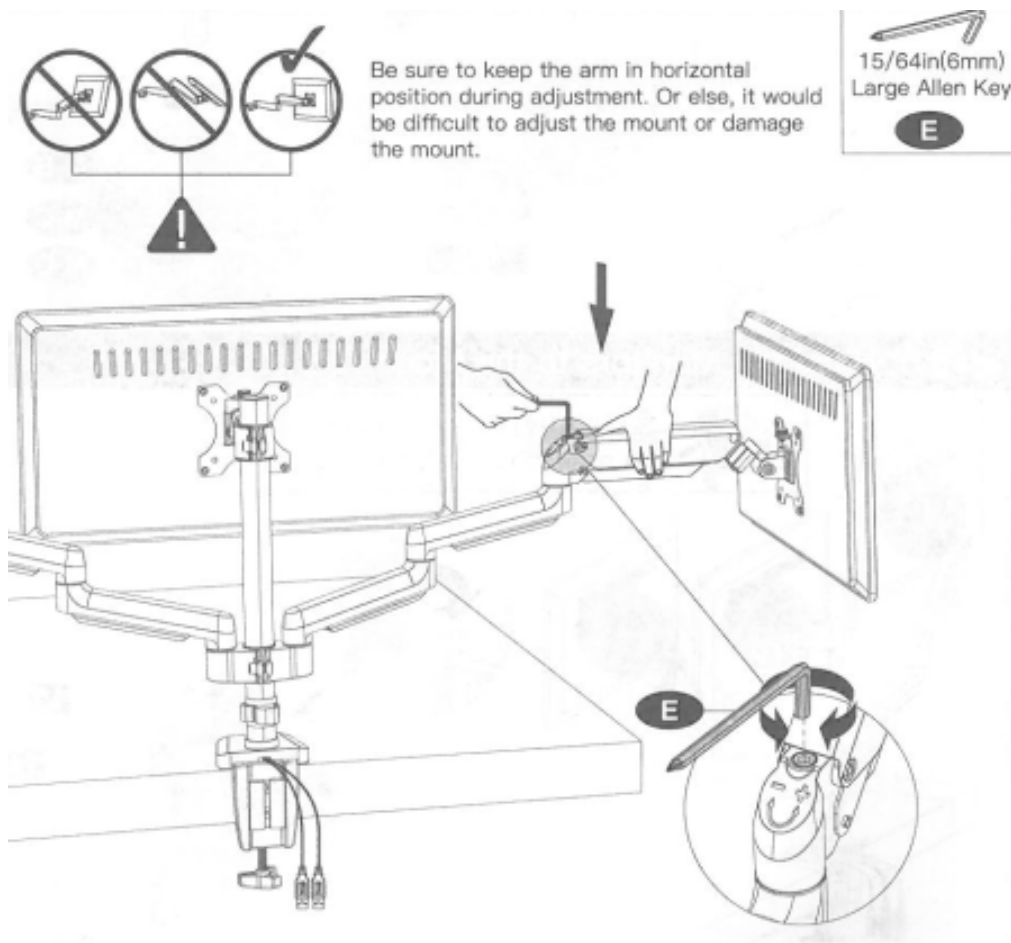
# Hanging monitors on the mount

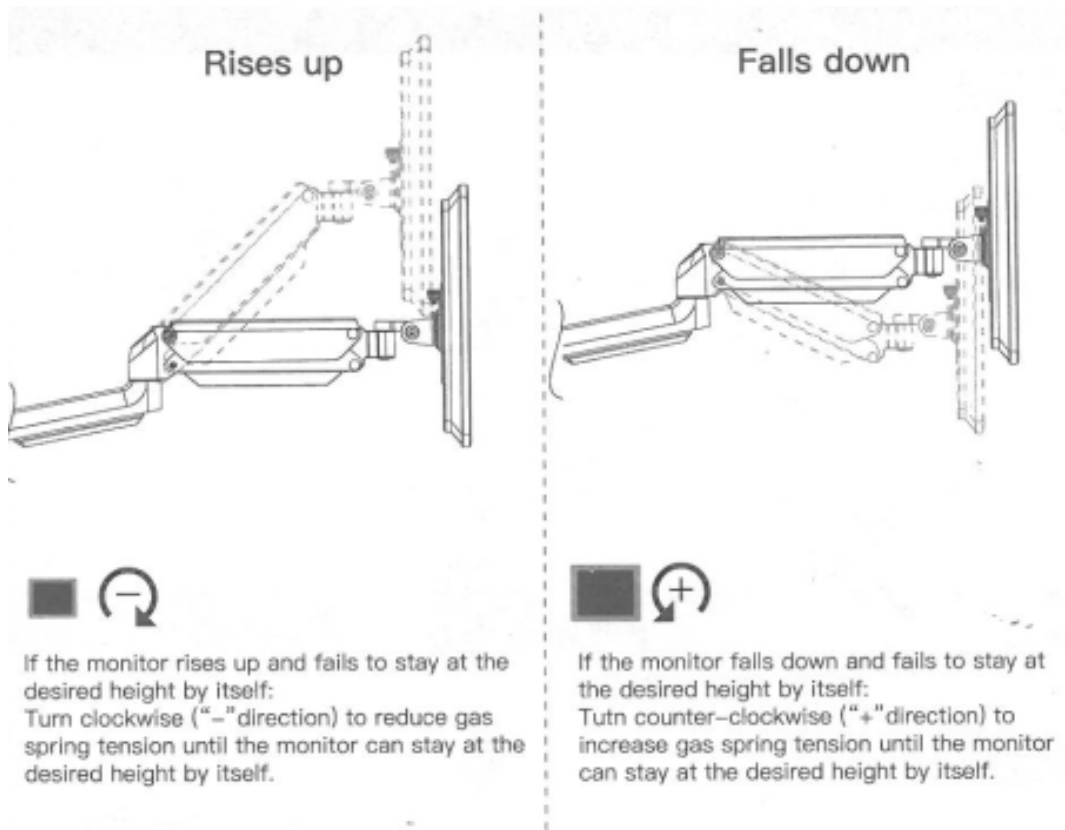


## Trading Limit



## Gas Spring Tension Adjustment





## Tilt adjustment

Directly adjust the tilt angle (but if it is too hard to adjust, please slightly loosen the set screw with the large Allen key [F]). Tighten the set screw to fix the angle of the monitor.

