

# User Manual

---

## Keyboard holder **SolidHand-KT09W**

# Table of contents

Specifications: ..... 3  
Set contents:..... 4  
Features: ..... 4  
Assembly..... 5

## Specifications:

- **Warranty:** 1 year
- **Color:** White
- **Material:** steel, ABS, chipboard
- **Load:** 5 kg
- **Mounting Method:** Clamping Screw
- **Handle dimensions:** 83.6 x 64.4 x 14.2 ~ 16.2 cm
- **Tabletop dimensions:** 67 x 24 cm
- **Package dimensions:** 70 x 25.5 x 11.5 cm
- **Weight:** 4.5 kg
- **Weight with packaging:** 4.7 kg

## Set contents:

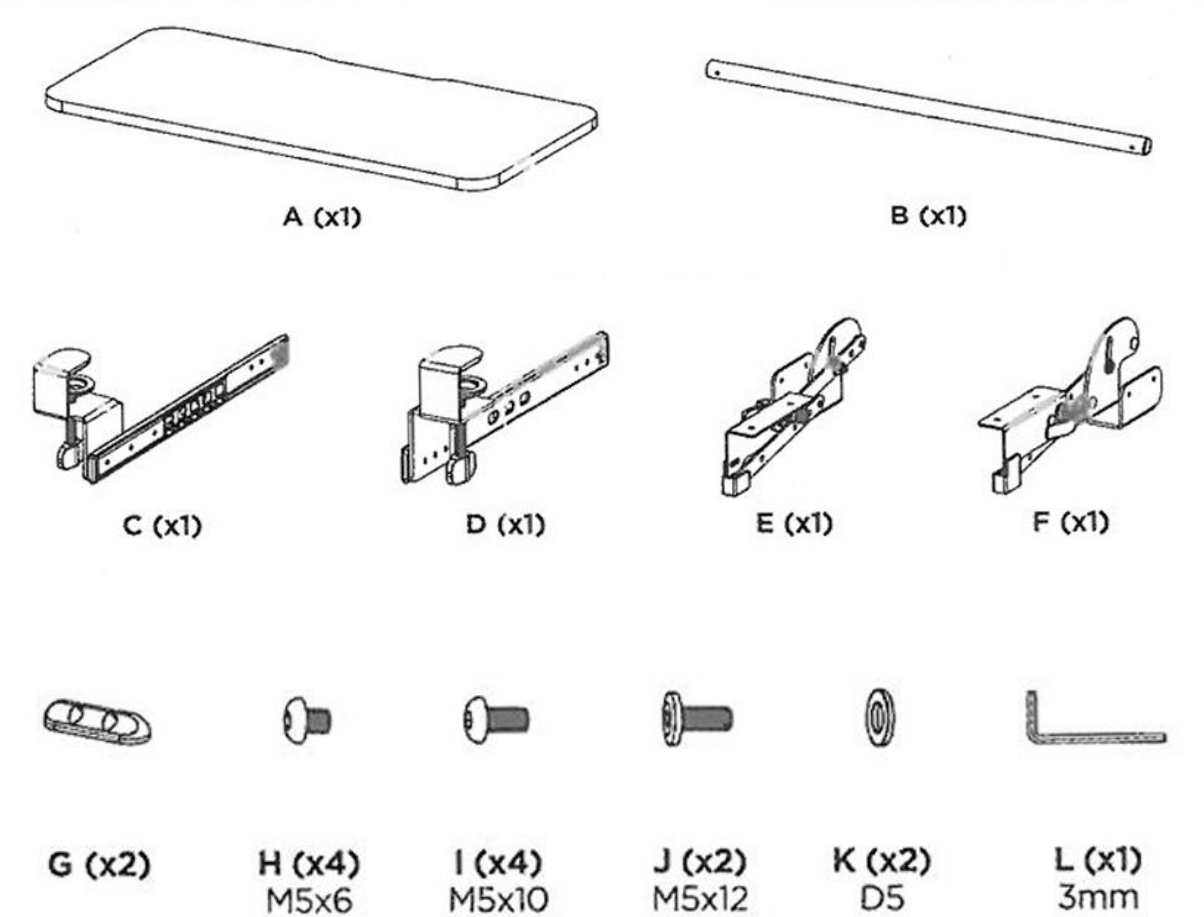
- Keyboard stand,
- mounting screws,
- Manual.

## Features:

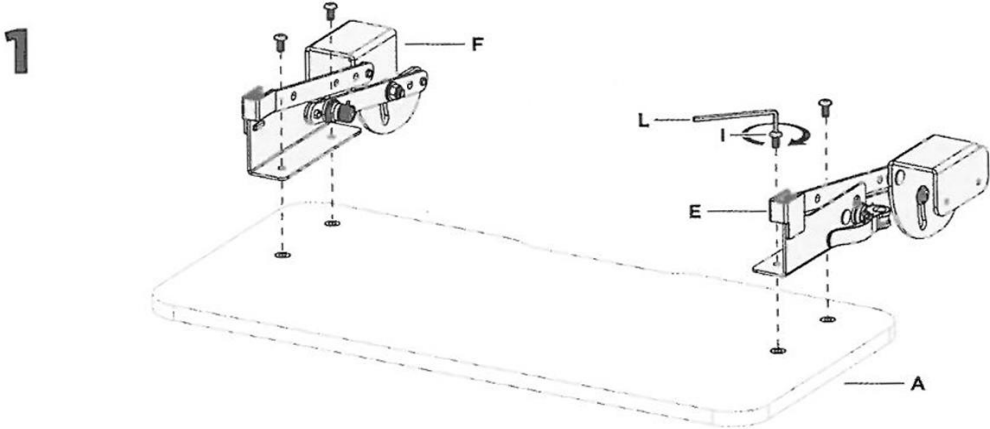
- **Color:** White
- **Load: up** to 5 kg
- **Tabletop dimensions:** 67 x 24 cm
- **Mounting Method:** Clamping Screw

# Assembly

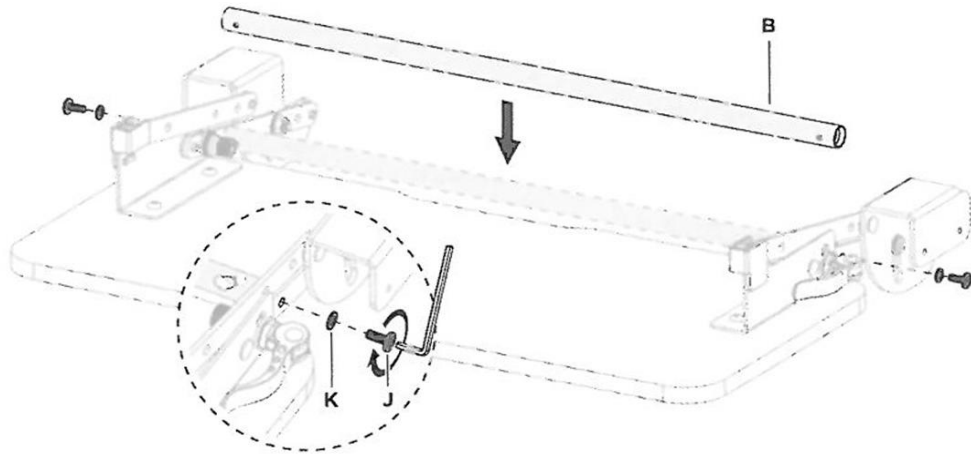
Set contents:



Mounting method:



2



3

