

User Manual

Keyboard holder **SolidHand-KT09S**

Table of contents

Specifications: 3
Set contents:..... 4
Features: 4
Mounting 5

Specifications:

- **Warranty:** 1 year
- **Color:** Black
- **Material:** steel, ABS, chipboard
- **Load:** 5 kg
- **Mounting Method:** Clamping Screw
- **Handle dimensions:** 65 x 25 x 1.2 cm
- **Tabletop dimensions:** 50 x 24 cm
- **Package dimensions:** 52 x 25.5 x 11.5 cm
- **Weight:** 4.2 kg
- **Weight with packaging:** 4.5 kg

Set contents:

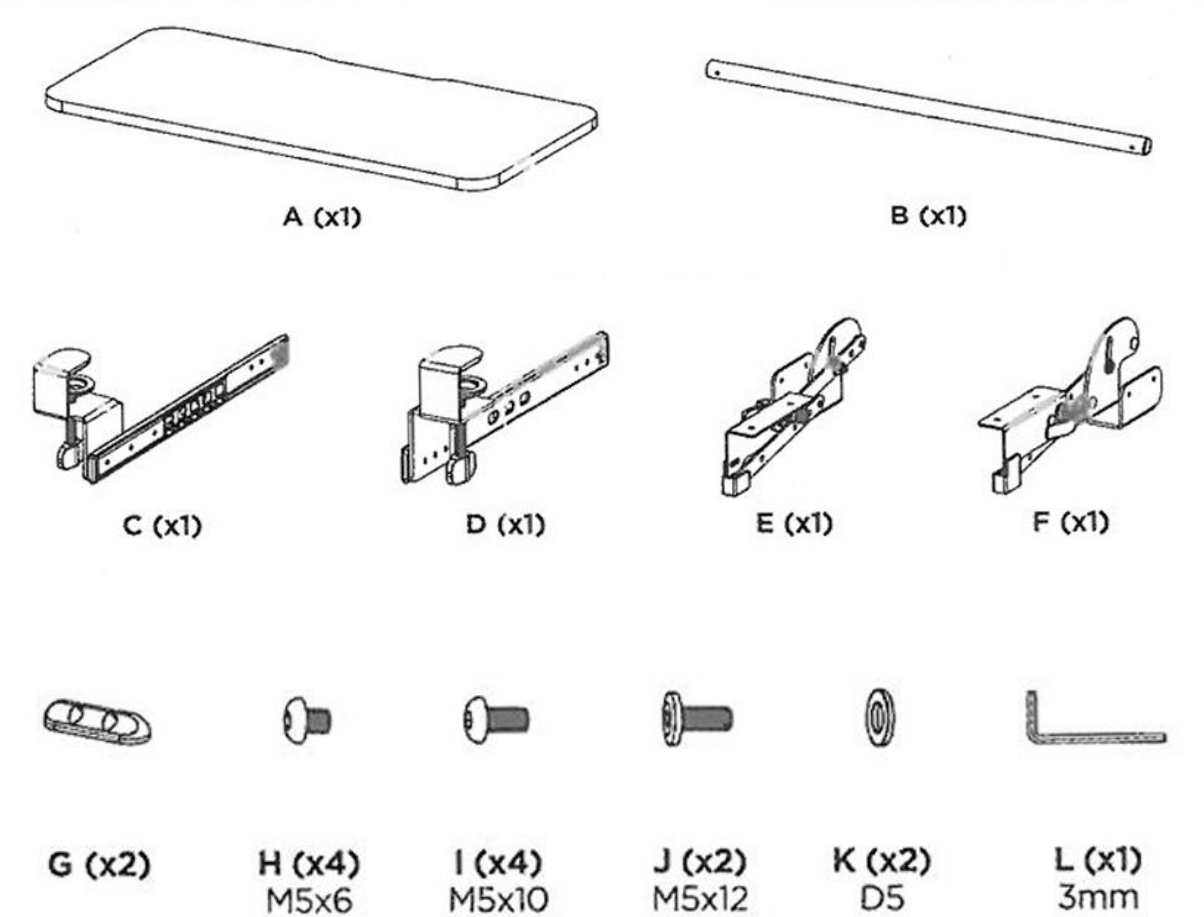
- Keyboard stand,
- mounting screws,
- Manual.

Features:

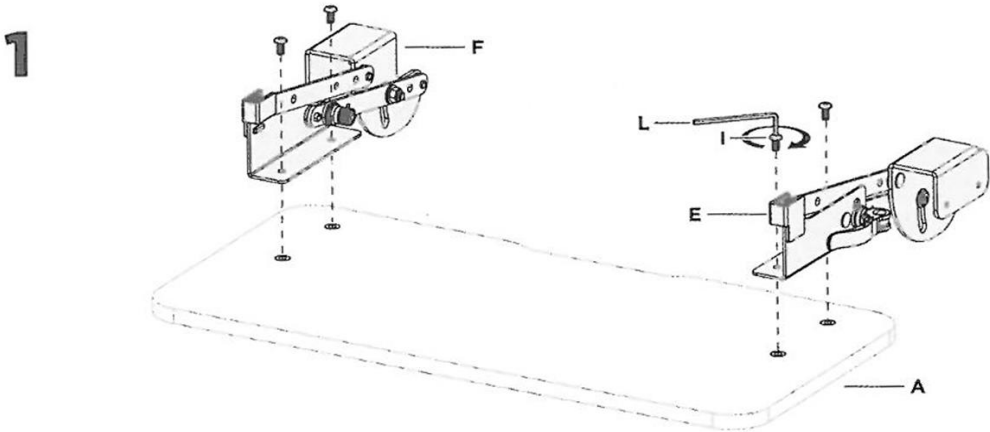
- **Color:** Black
- **Load: up** to 5 kg
- **Tabletop dimensions:** 50 x 24 cm
- **Mounting Method:** Clamping Screw

Mounting

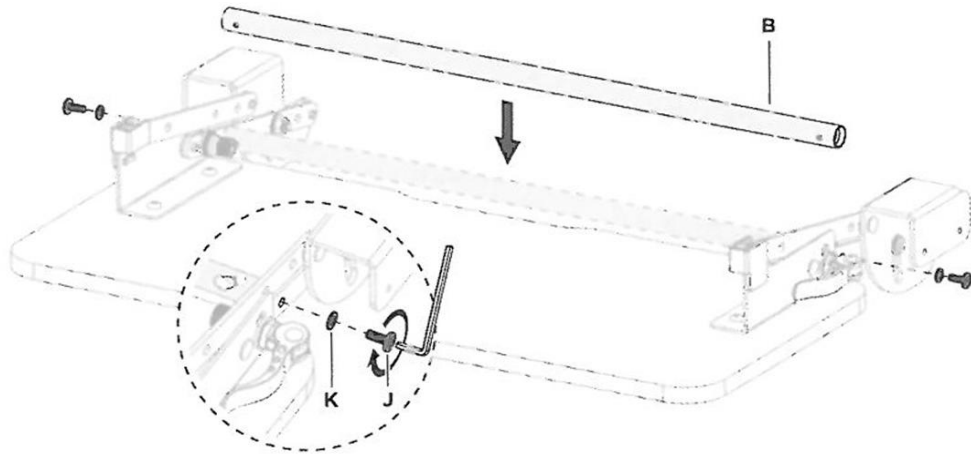
Set contents:



Mounting method:



2



3

