

User Manual

Keyboard holder **SolidHand-KT08W**

Table of contents

Specifications: 3
Set contents:..... 3
Assembly:..... 3

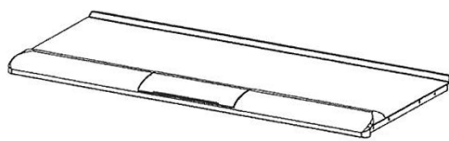
Specifications:

- **Warranty:** 1 year
- **Color:** White
- **Material:** steel, plastic
- **Load:** 5 kg
- **Mounting Method:** Clamping Screw
- **Handle dimensions:** 79.7 x 28.3 x 12.9 cm
- **Tabletop dimensions:** 68 x 28.3 cm
- **Package dimensions:** 78.8 x 30 x 7 cm
- **Weight:** 2.2 kg
- **Weight with packaging:** 1.8 kg

Set contents:

- keyboard holder,
- mounting screws.

Assembly:



A (x1)



B (x2)



C (x1)



D (x1)

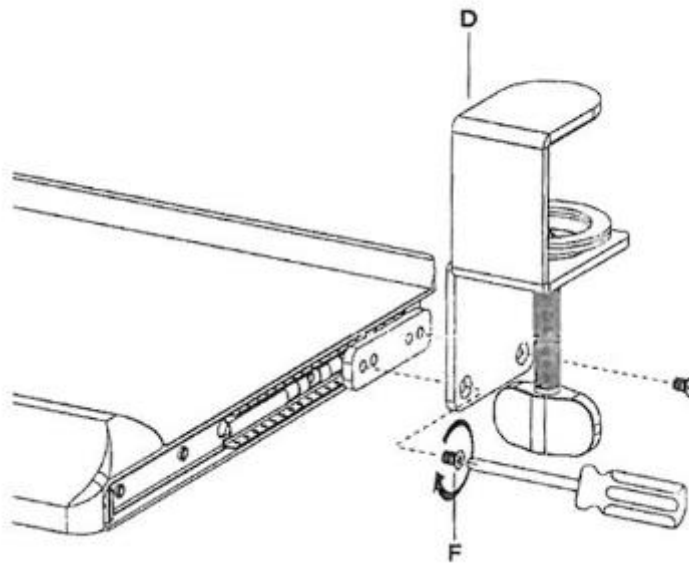
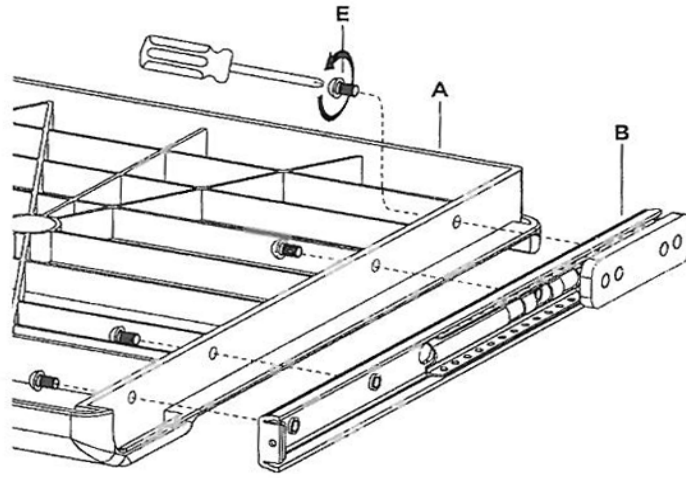


E (x8)
M4x6



F (x4)
M5x7

1



2

