

User Manual

Keyboard holder **SolidHand-KT08T**

Table of contents

Specifications: 3
Set contents:..... 3
Assembly:..... 3

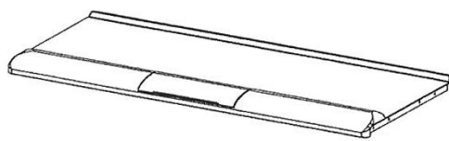
Specifications:

- **Warranty:** 1 year
- **Color:** Black
- **Material:** steel, plastic
- **Load:** 5 kg
- **Mounting Method:** Clamping Screw
- **Handle dimensions:** 86.2 x 28.3 x 13.6 cm
- **Tabletop dimensions:** 68 x 28.3 cm
- **Package dimensions:** 70.2 x 29.5 x 11 cm
- **Weight:** 2.4 kg
- **Weight with packaging:** 3 kg

Set contents:

- keyboard holder,
- mounting screws.

Assembly:



A (x1)



B (x2)



C (x1)



D (x1)

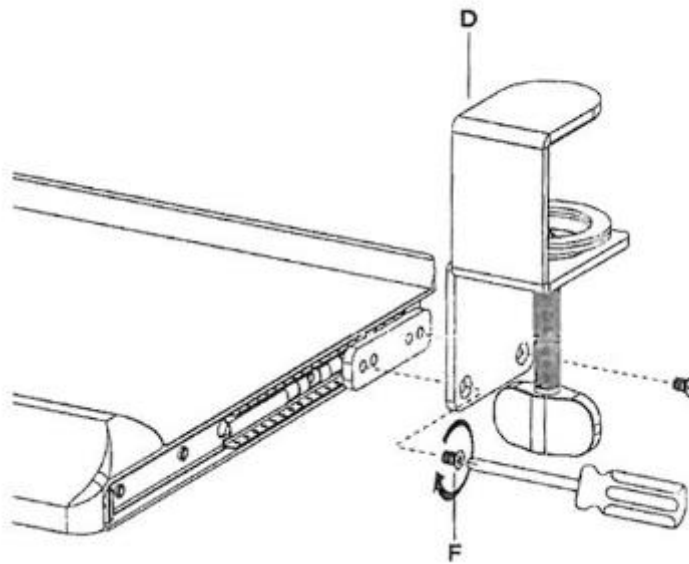
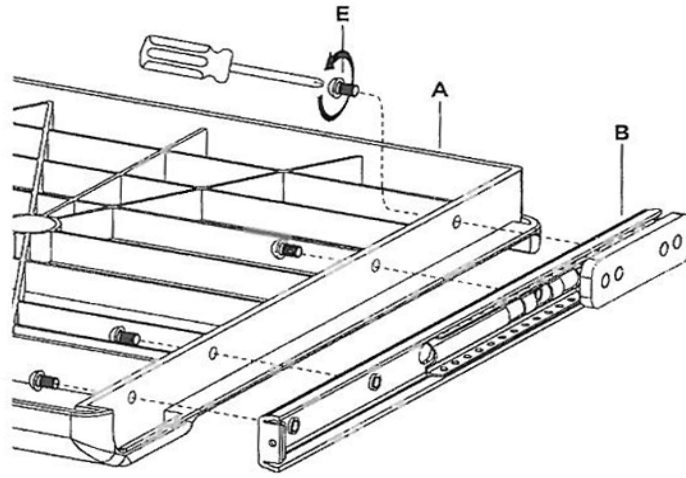


E (x8)
M4x6



F (x4)
M5x7

1



2

