

# Manual

---

Keyboard holder under  
the desk, extendable

**SolidHand-KT02**

## Table of contents

Specifications: .....	3
Set contents:.....	3
Assembly:.....	4

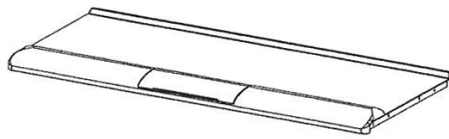
## Specifications:

- **Warranty:** 1 year
- **Color:** Black
- **Material:** Steel
- **Load:** 25 kg
- **Mounting Method:** Clamping Screw
- **Handle dimensions:** 65 x 25 x 1.2 cm
- **Weight:** 2.85 kg

## Set contents:

- Keyboard holder
- Mounting screws

# Assembly:



A (x1)



B (x2)



C (x1)



D (x1)

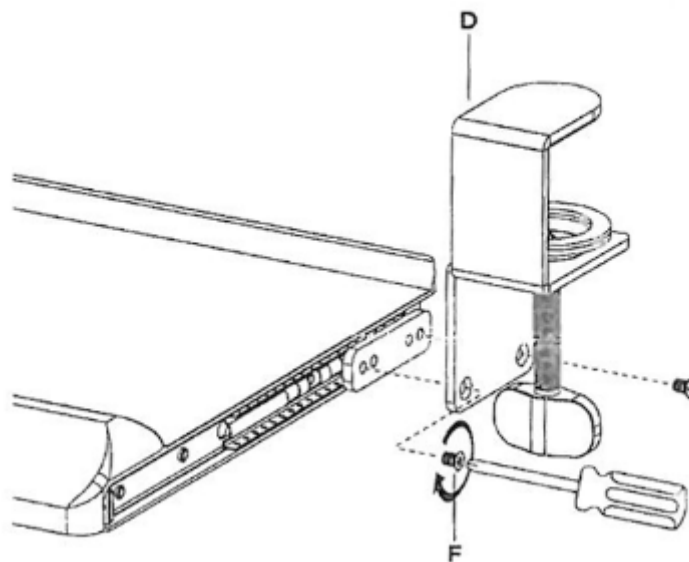
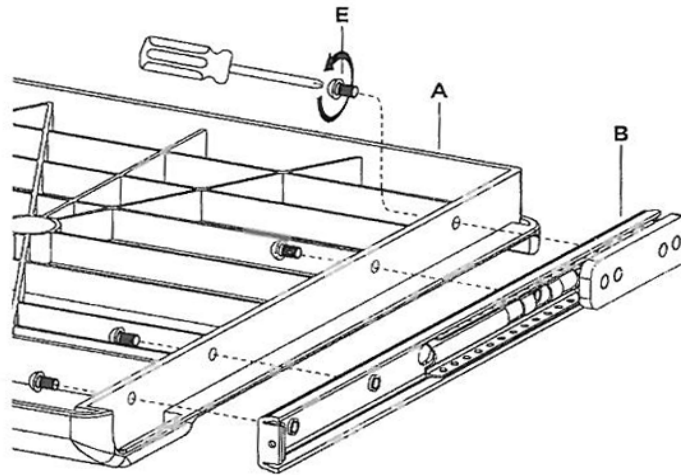


E (x8)  
M4x6



F (x4)  
M5x7

1



2

