

# User Manual

---

Single monitor mount

**SolidHand-DS01**

Table of contents

Specification:..... 3  
The set contains:..... 4  
Functions:..... 4  
Precautions..... 5  
Parts of the set: ..... 6  
Meeting..... 6

## Specification:

- **Warranty:** 1 year
- **Color:** Silver
- **Material:** Aluminum , Steel, Plastic
- **Finish:** Powder coating
- **Number of monitors:** 1
- **Min. monitor size:** 17"
- **Max. monitor size:** 32"
- **VESA standard:** 75x75, 100x100
- **Weight of one monitor:** 2~9kg
- **Height adjustment:** supported by a mechanical spring
- **Arm Swivel Range:** +90°~-90°
- **Monitor swivel range:** +180°~-180°
- **Monitor tilt range:** +55°~-55°
- **Max. arm overhang:** 453 mm
- **Installation:** Clamp, Grommet
- **Handle dimensions:** 177 x 503 x 578 mm
- **Unit weight:** 2.18 kg
- **Weight with packaging:** 2.6 kg

## The set contains:

- Monitor mount
- Mounting screws and washers
- Assembly instruction

## Functions:

- **Number of monitors:** 1
- **Mounting:** Desk
- **Max. monitor weight:** 9 kg
- **Height adjustment:** supported by a mechanical spring
- **VESA standard:** 75x75, 100x100
- **Monitor diagonal:** 17" to 32"
- **Pivot function:** yes
- **Built-in USB ports:** none

## Precautions

**WARNING:** Using the product with a load greater than the specified load capacity may cause instability, which may result in injury or damage to the equipment resting on the handle.

Please follow the installation instructions carefully. Improper installation can lead to damage or serious injury.

Use the right safety precautions and the right tools. This product should only be installed by professionals.

Make sure that the support surface can safely support the total weight of the device and all connected components and mounting hardware.

Use the included mounting screws and washers and **DO NOT over-tighten the mounting screws.**

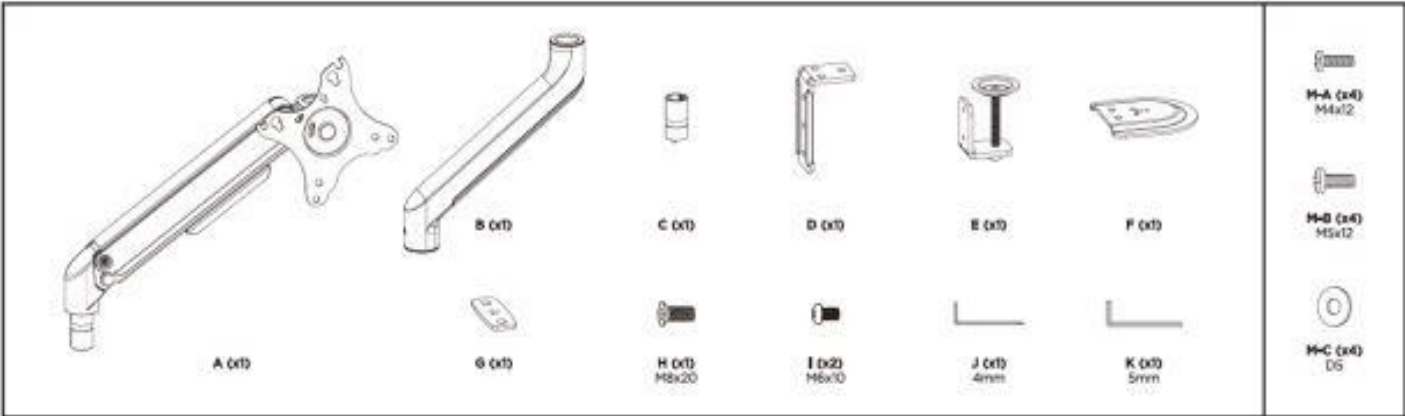
The product contains small parts that may pose a choking hazard if swallowed. Keep these parts away from children.

This product is intended for indoor use only. Outdoor use of this product may cause damage to the product.

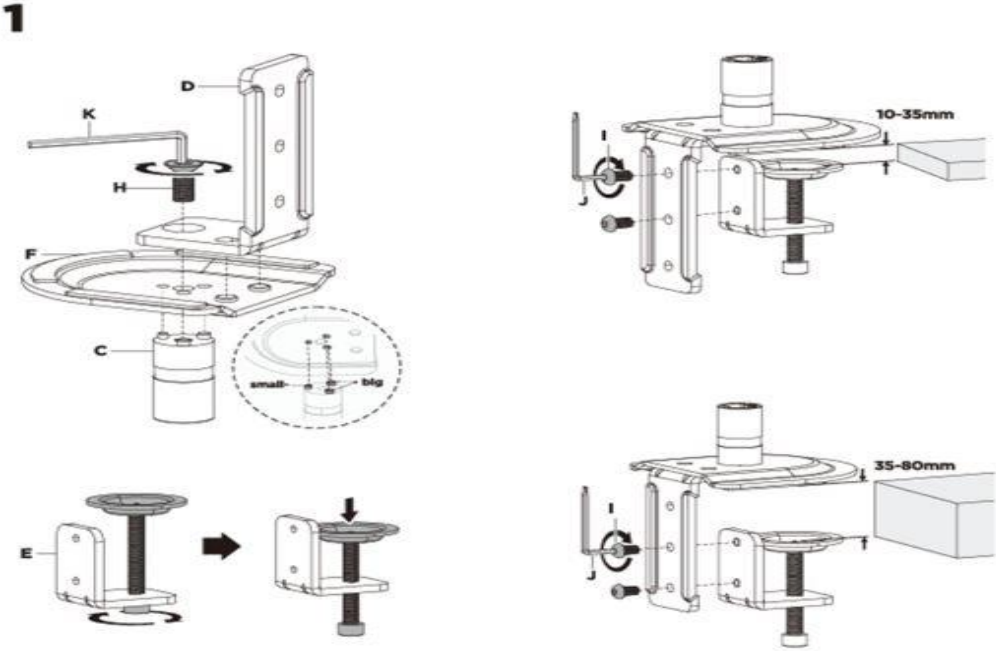
**IMPORTANT:** Before installation, make sure you have received all parts according to the component list. If any parts are missing or defective, please contact us.

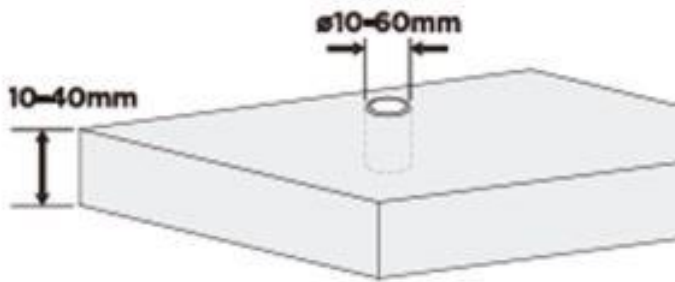
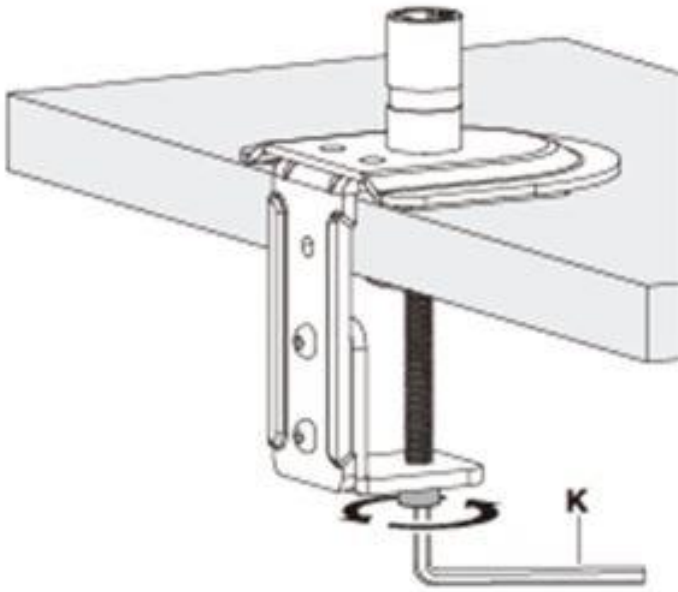
**MAINTENANCE:** Check regularly (at least every three months) that the product is safe and suitable for use.

# Parts of the set:

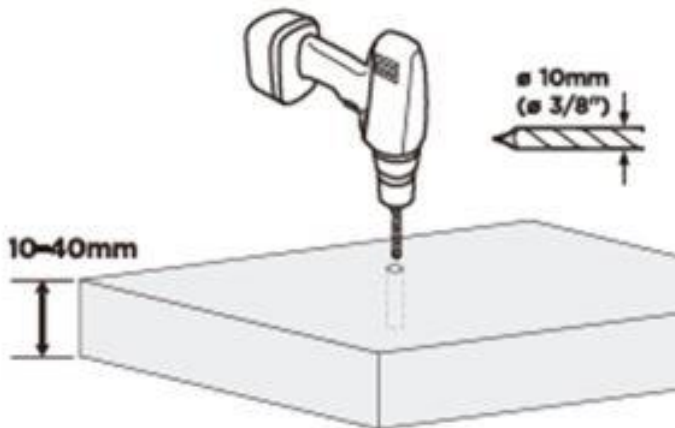


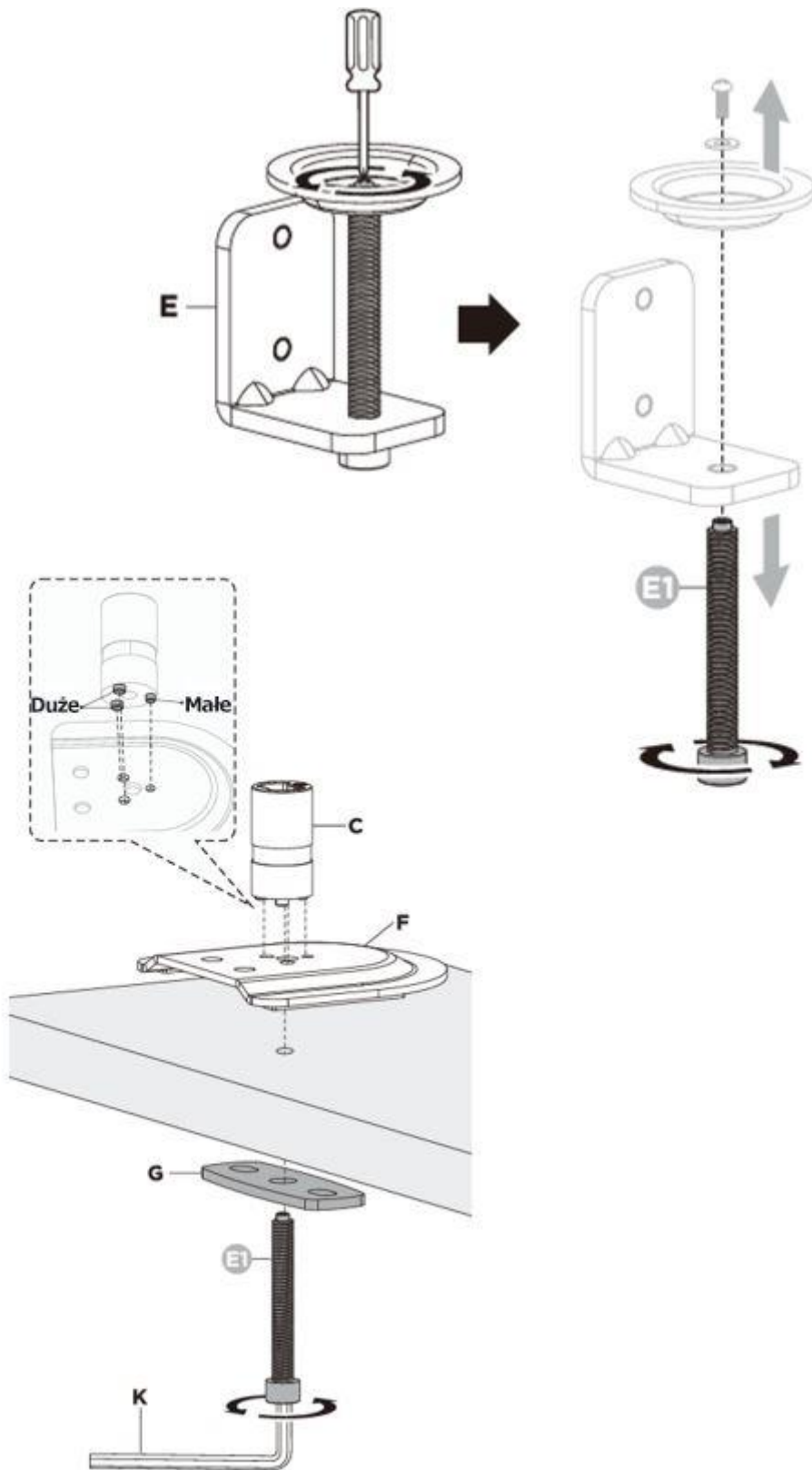
# Meeting

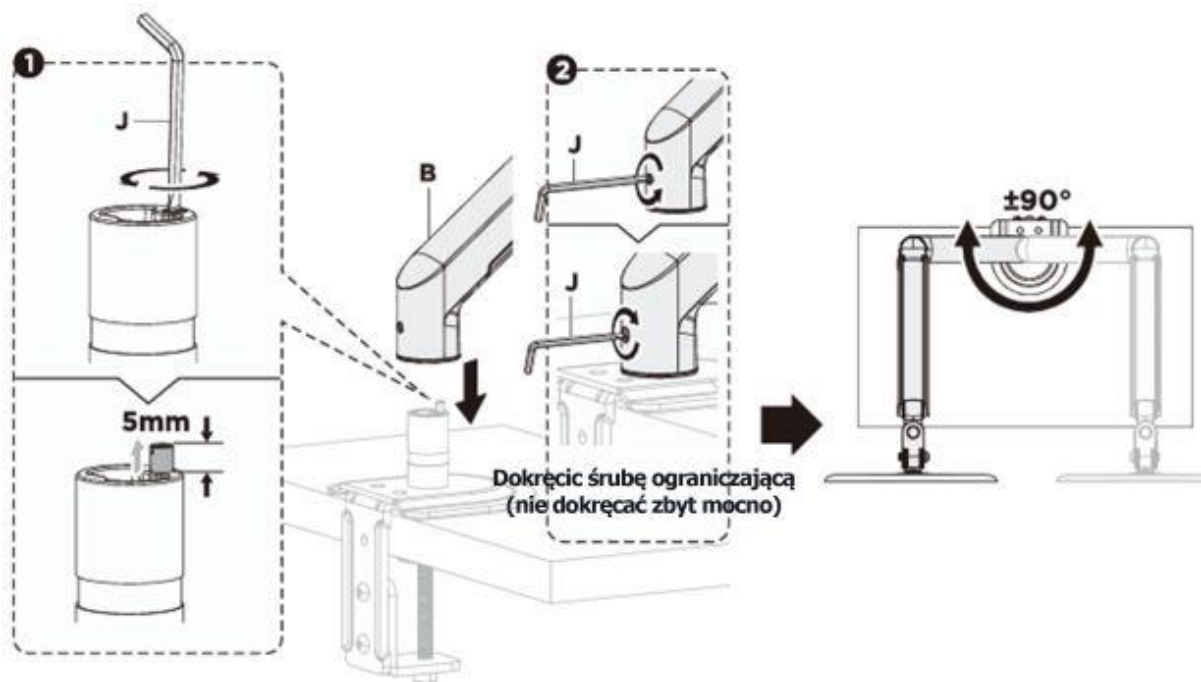
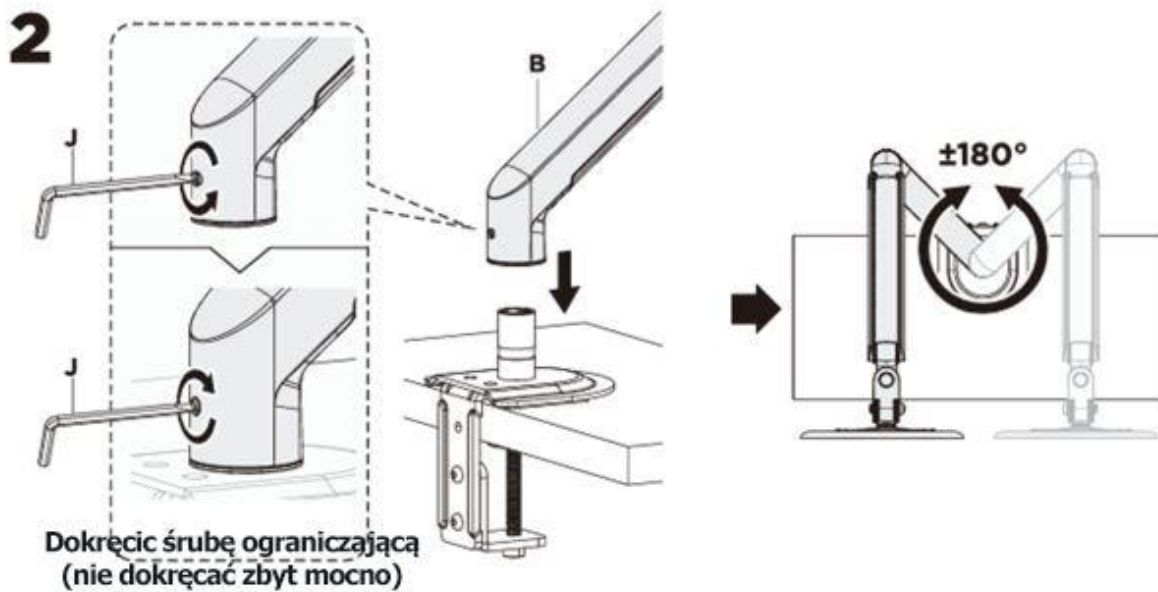




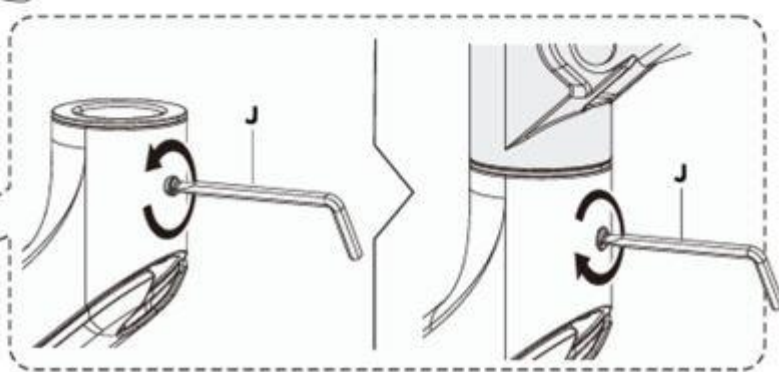
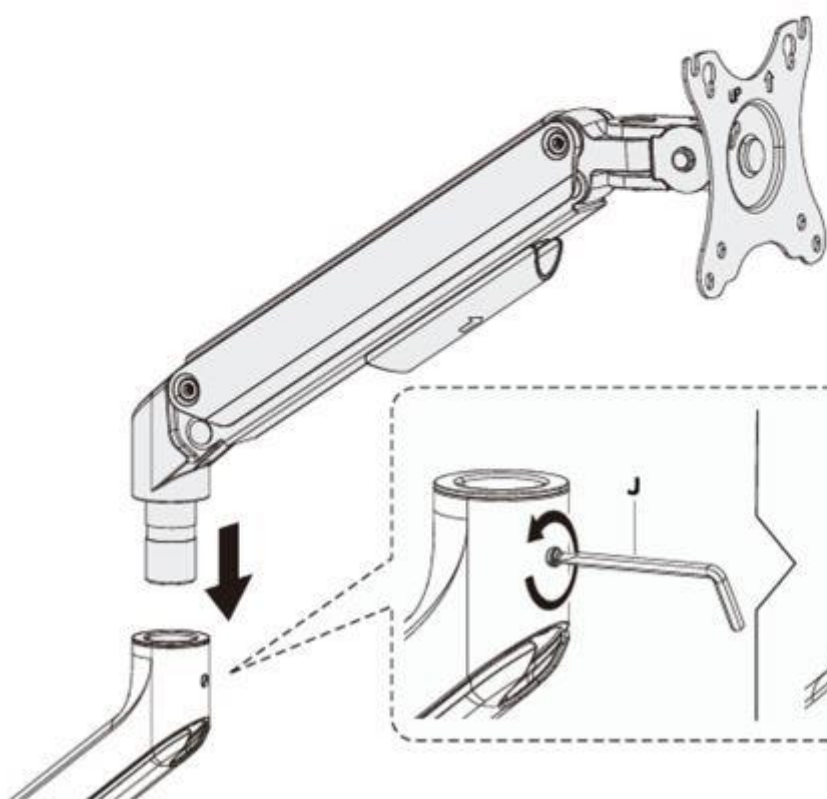
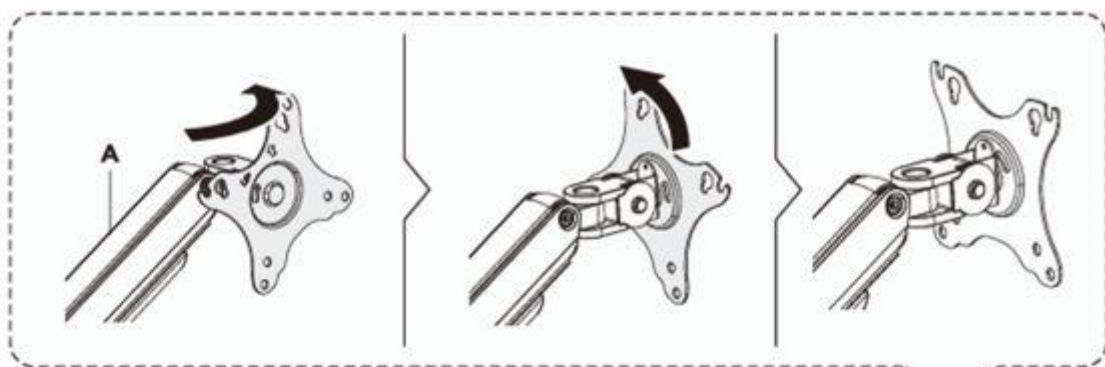
OR



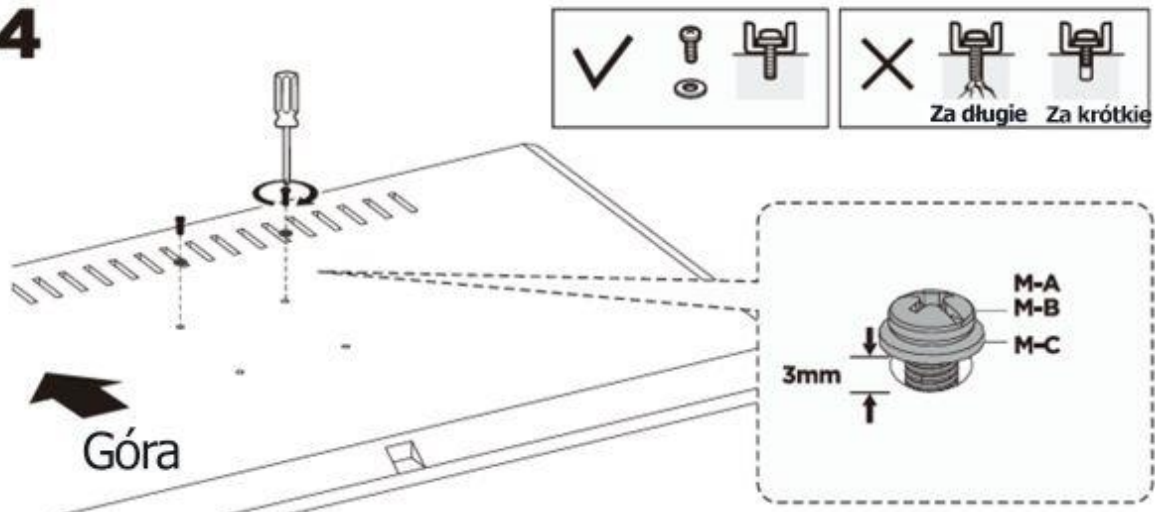




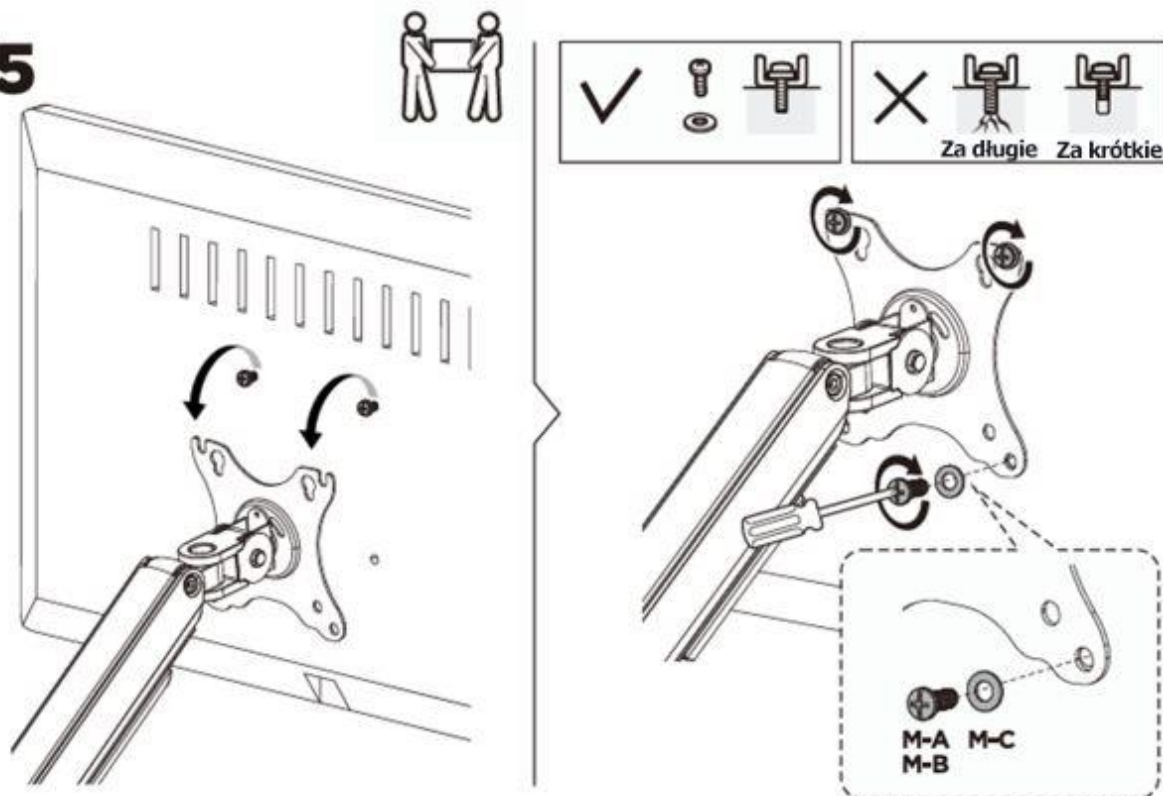
**3**

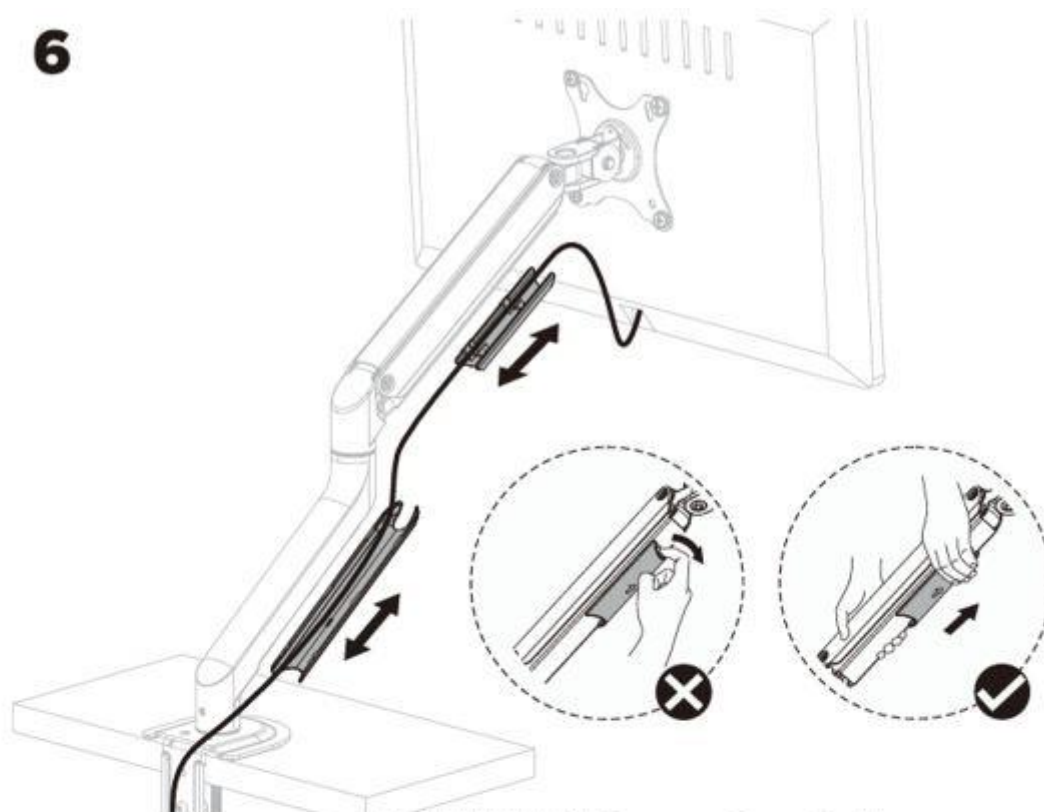
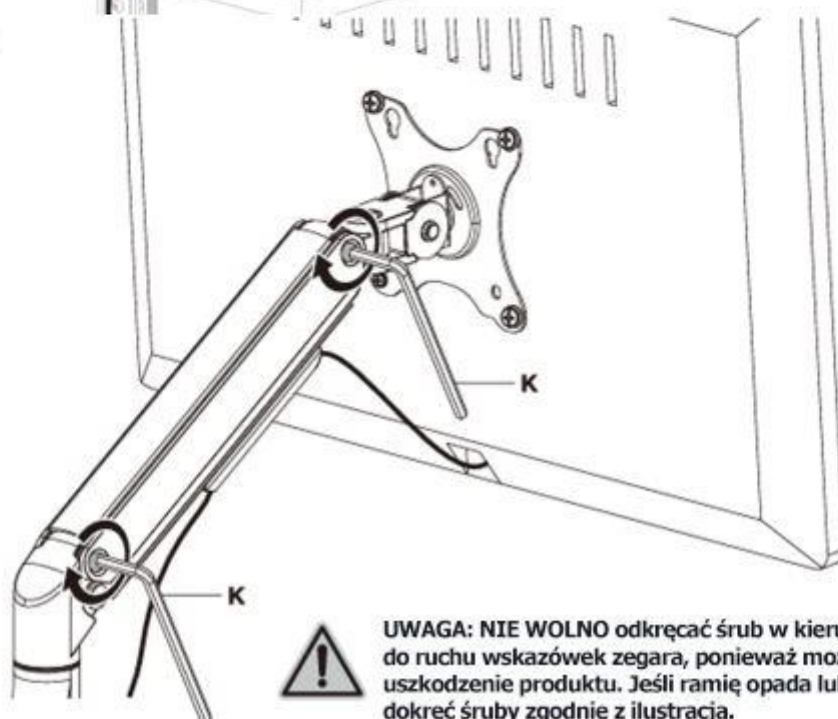


4



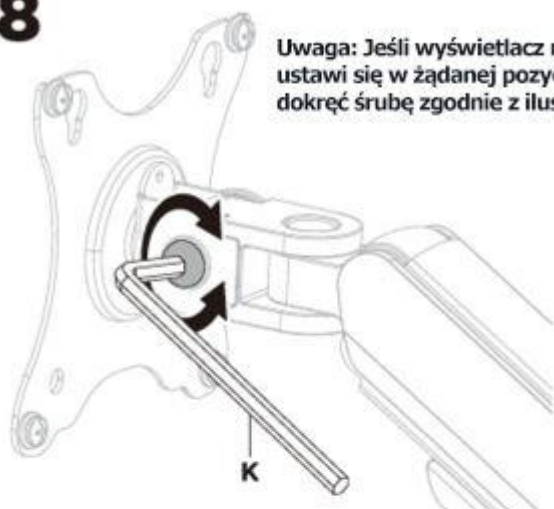
5



**6****7**

**UWAGA: NIE WOLNO** odkręcać śrub w kierunku przeciwnym do ruchu wskazówek zegara, ponieważ może to spowodować uszkodzenie produktu. Jeśli ramię opada lub podnosi się, dokręć śruby zgodnie z ilustracją.

**8**



Uwaga: Jeśli wyświetlacz nie ustawi się w żądanej pozycji, dokręć śrubę zgodnie z ilustracją.

