

Manual

3 Monitor Desktop Mount **SolidHand-CM03U**

Table of contents

Specifications: 2

Kit contents:..... 3

Safety Instructions and Warnings 4

Kit Elements..... 5

Specifications:

- **Warranty:** 1 year
- **Color:** matte black
- **Material:** Aluminum, Steel, Plastic
- **Surface Finish:** Powder Coating
- **Number of monitors:** 3
- **Min. monitor diagonal:** 17"
- **Max. Monitor Diagonal:** 32"
- **VESA standard:** 75x75, 100x100
- **Weight of one monitor:** 6 kg
- **Height adjustment:** gas spring assisted
- **Arm Rotation Range:** +10°~-10°
- **Monitor Rotation Range:** +180° ~ -180°
- **Monitor Tilt Range:** +5° ~ -15°
- **Max. arm overhang:** 526 mm
- **Installation:** Clamp, Grommet
- **Handle dimensions:** 133 x 70.9 x 77 cm
- **Package dimensions:** 63 x 32.5 x 16 cm
- **Handle weight:** 9.5 kg
- **Handle weight with packaging:** 10 kg

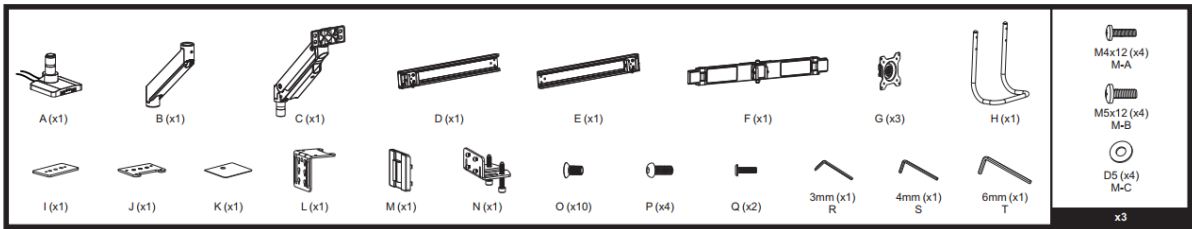
Kit contents:

- Monitor Mount
- Screws and mounting washers
- Assembly Instructions

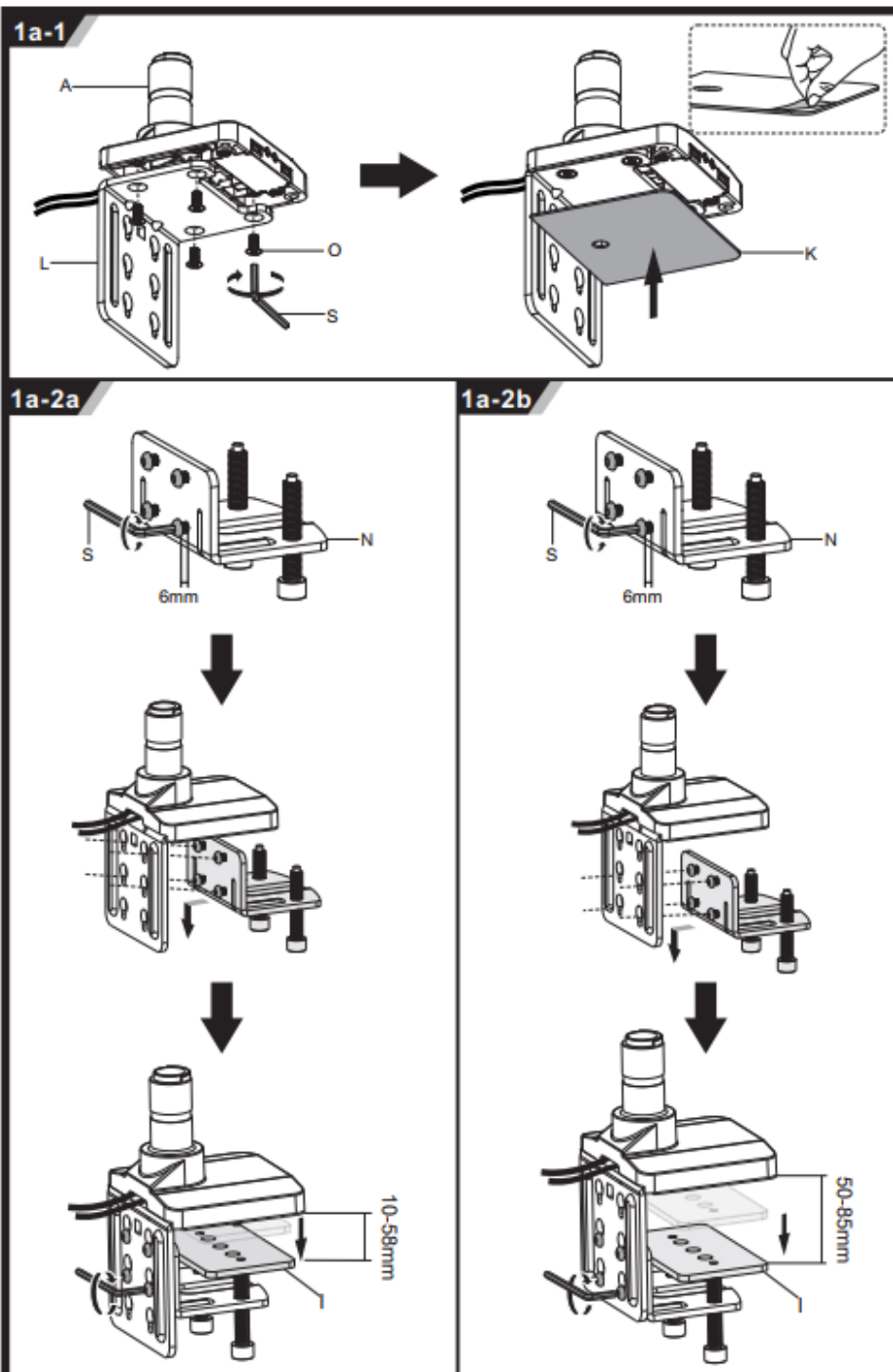
Safety Instructions and Warnings

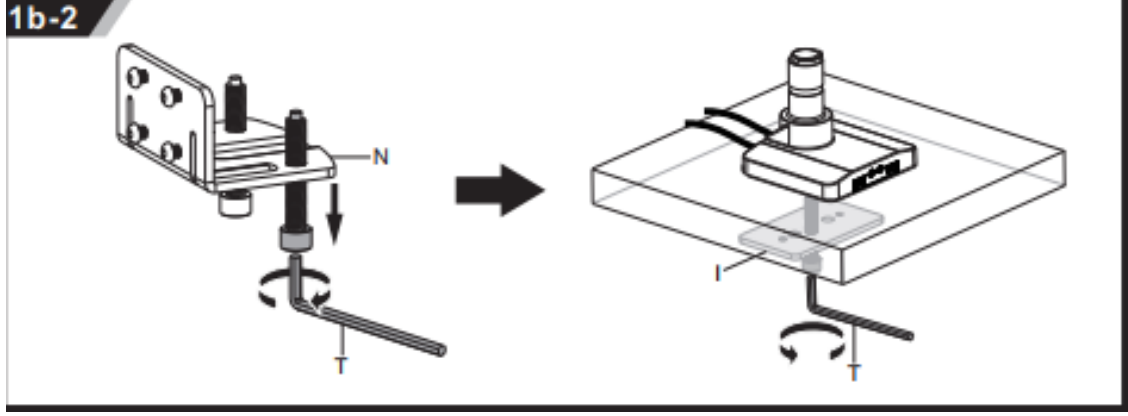
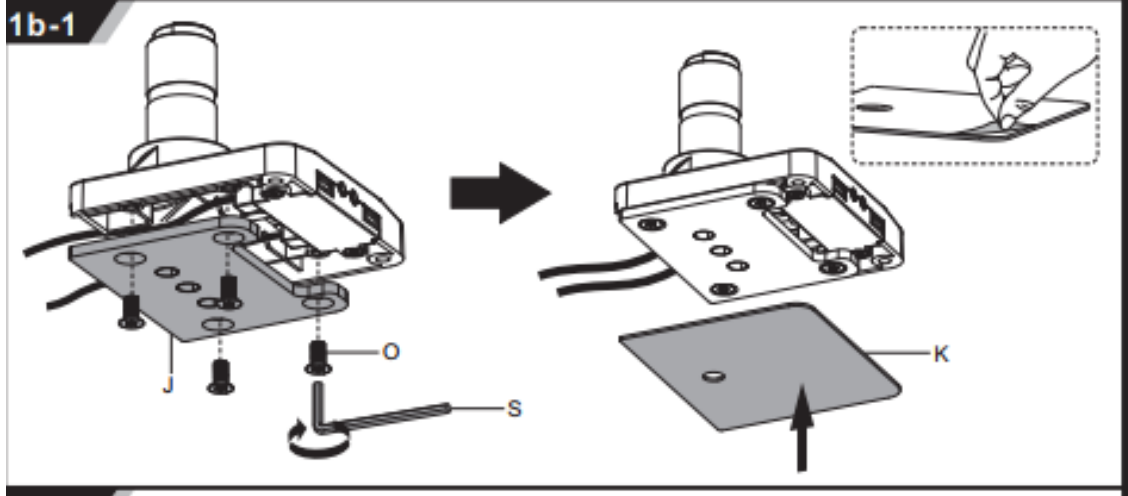
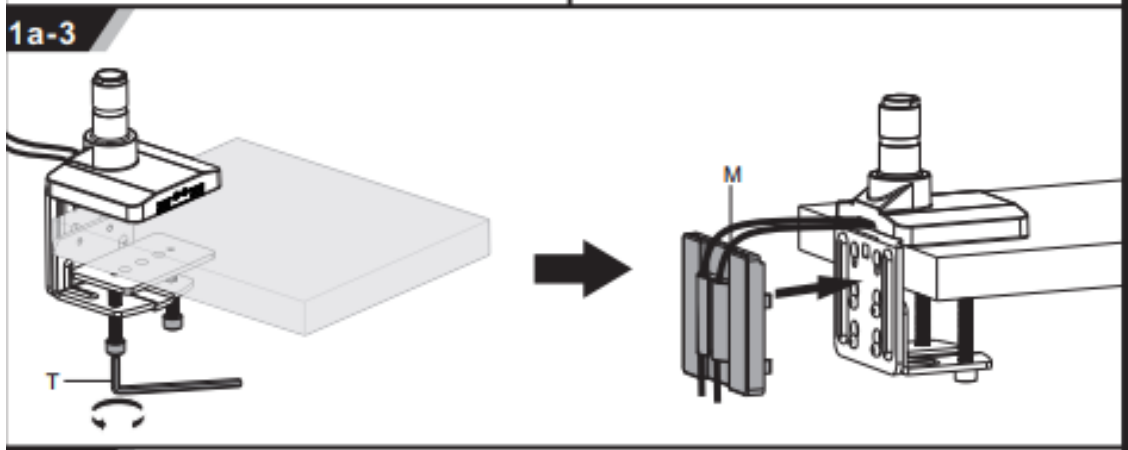
- Make sure the mount is strong enough to hold the product and equipment mounted.
- Do not exceed the maximum permissible lifting capacity.
- Always use the assistance of a third party or mechanical lifting device to lift and position the product safely.
- Screws should be tightened firmly, but not forced. Overtightening can damage the product, which will significantly reduce the holding force.
- Keep a distance from moving parts when using the product.
- Use only as intended.
- This product is intended for indoor use only.
- This product may contain small components that, if swallowed, may cause choking. Keep away from children.

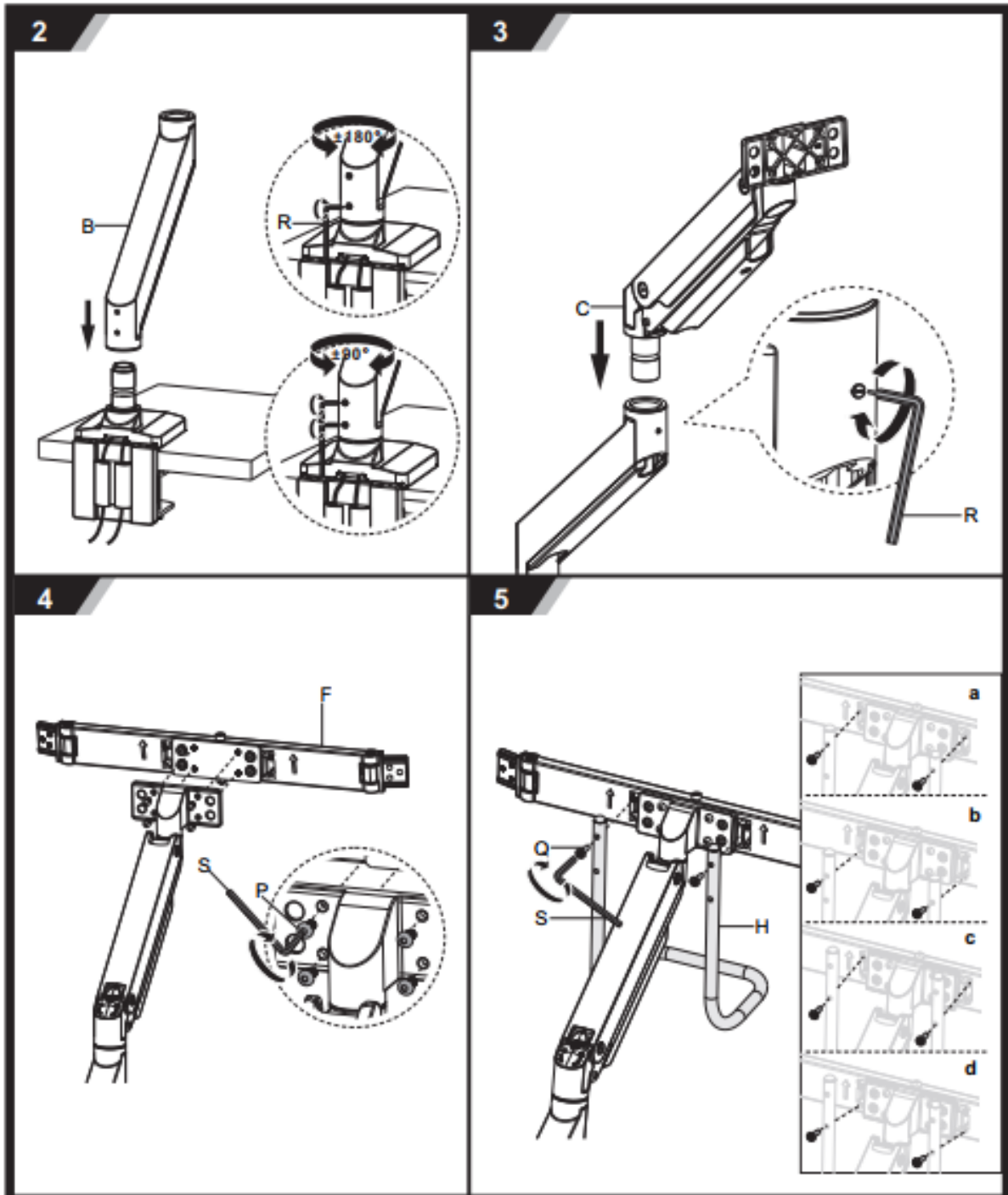
Kit Elements

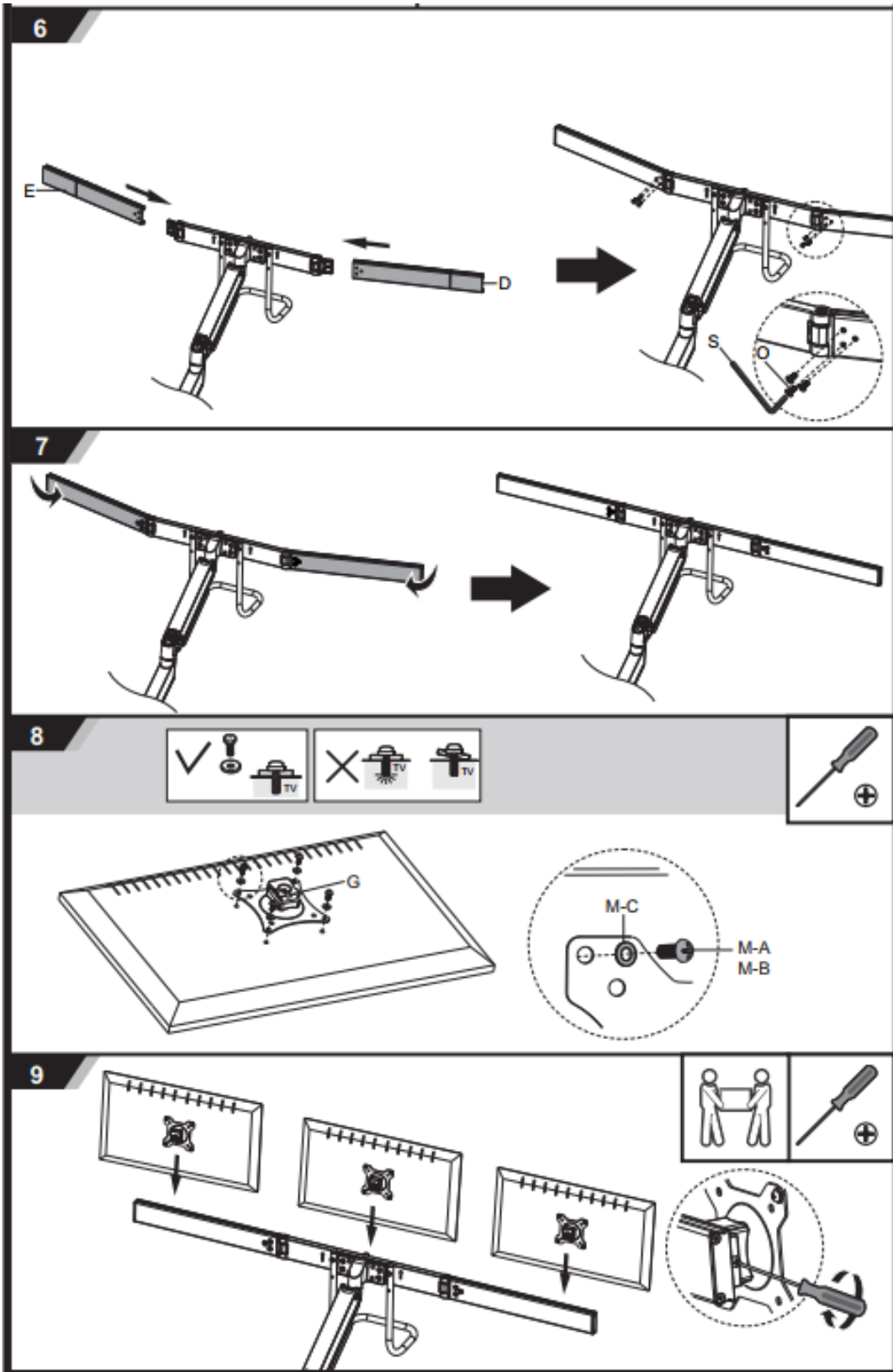


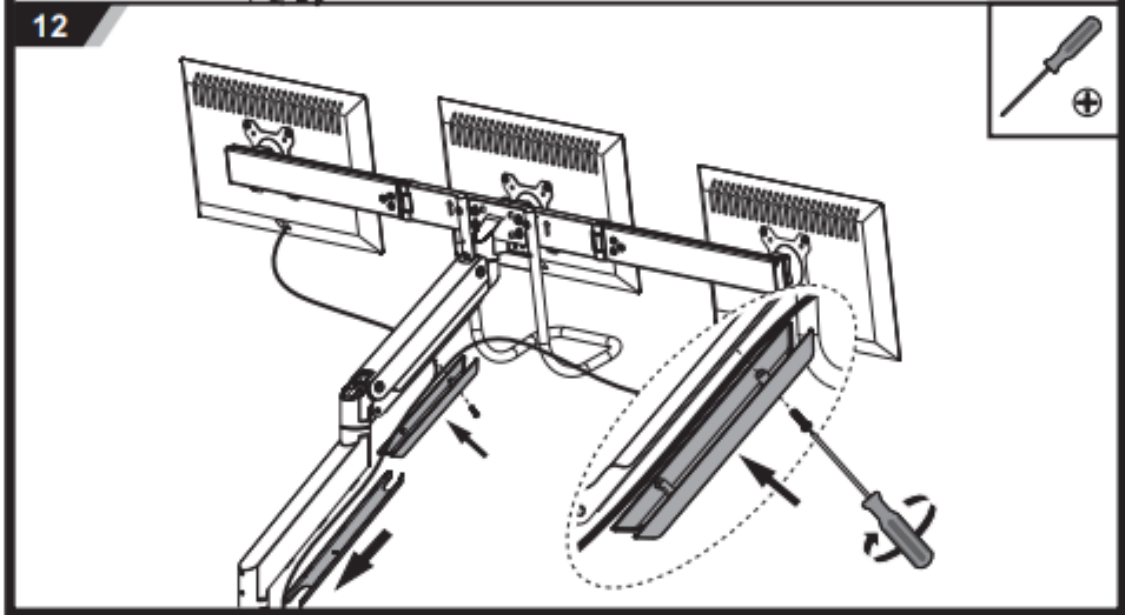
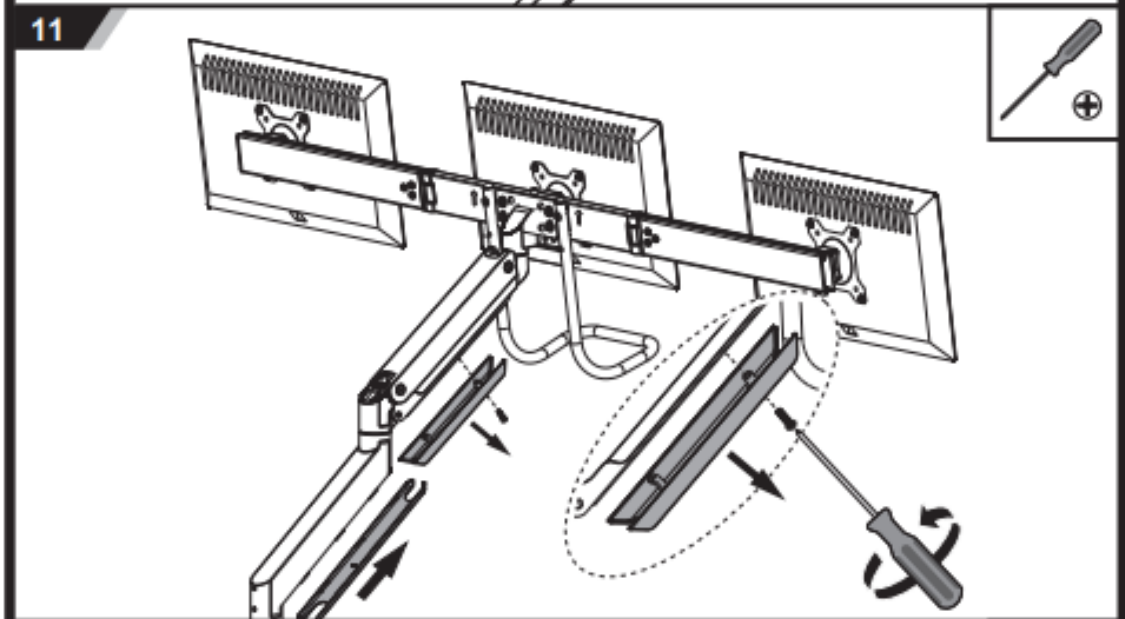
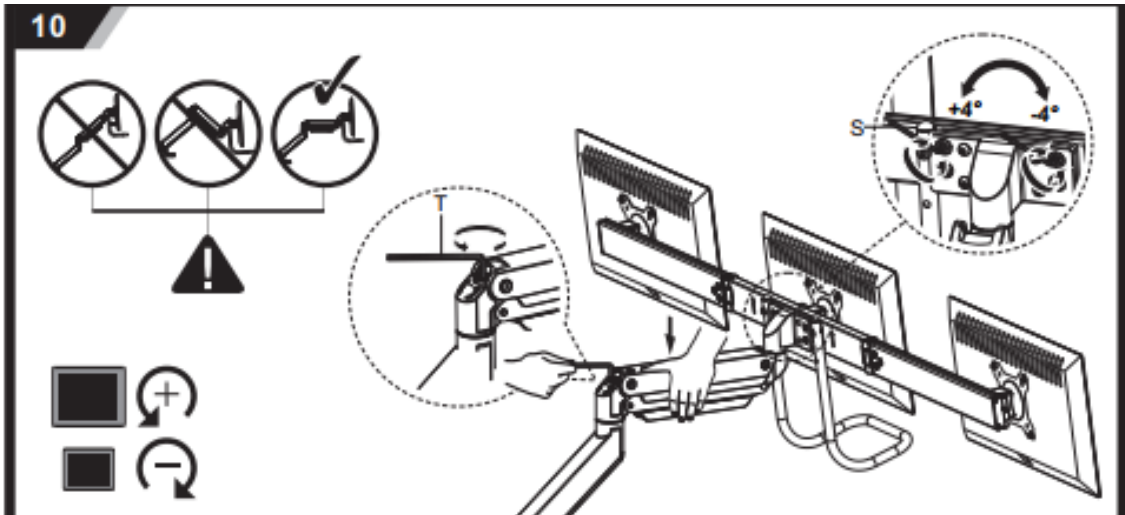
Assembly Instructions





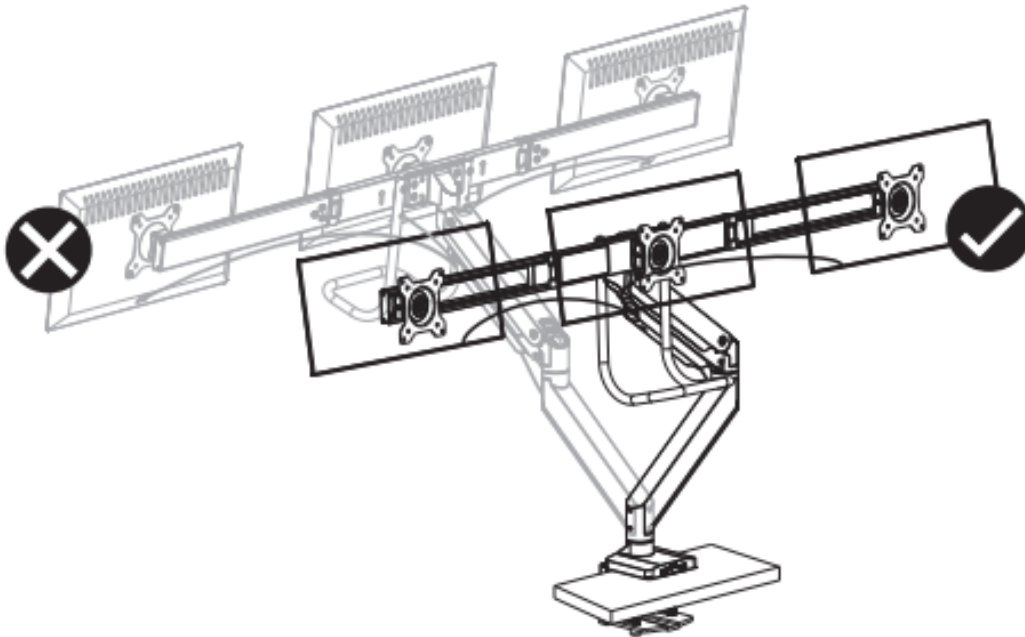






13

Please DO NOT rotate monitor past rear edge of desk. Or else it will create an unstable situation and may cause equipment tipover.



14

