

# Manual

---

## 2 Monitor Desktop Mount **SolidHand-BM02U**

## Table of contents

Specifications:.....	2
Kit contents:.....	3
Safety Instructions and Warnings .....	4
Kit Elements.....	5
Assembly Instructions .....	5

## Specifications:

- **Warranty:** 1 year
- **Color:** Grey
- **Material:** Aluminum, Steel, Plastic
- **Surface Finish:** Powder Coating
- **Number of monitors:** 2
- **Min. monitor diagonal:** 17"
- **Max. Monitor Diagonal:** 32"
- **VESA standard:** 75x75, 100x100
- **Weight of one monitor:** 9 kg
- **Height adjustment:** gas spring assisted
- **Arm Rotation Range:** +10°~-10°
- **Monitor Rotation Range:** +180° ~ -180°
- **Monitor Tilt Range:** +10° ~ -10°
- **Max. arm overhang:** 460 mm
- **Installation:** Terminal, Audio & USB Grommet
- **Handle dimensions:** 85 x 64 x 69 cm
- **Package dimensions:** 44 (L) x 33 (W) x 16 (H) cm
- **Handle weight:** 6.8 kg
- **Handle weight with packaging:** 7.6 kg

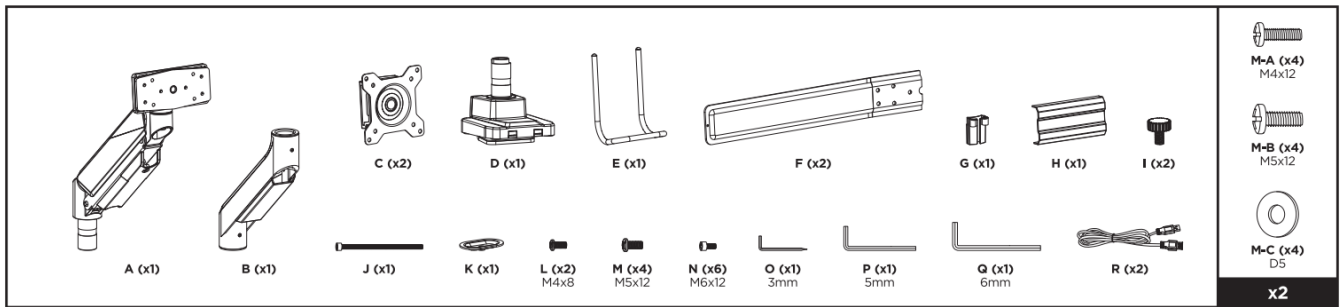
## Kit contents:

- Monitor Mount
- Screws and mounting washers
- Assembly Instructions

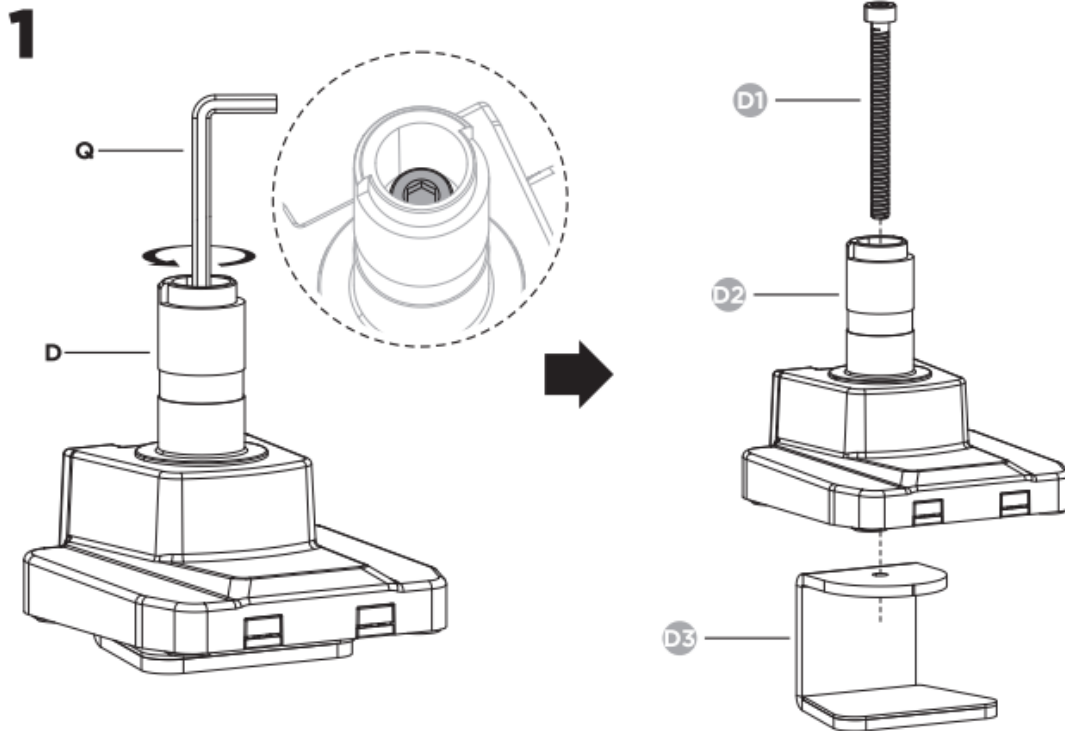
## Safety Instructions and Warnings

- Make sure the mount is strong enough to hold the product and equipment mounted.
- Do not exceed the maximum permissible lifting capacity.
- Always use the assistance of a third party or mechanical lifting device to lift and position the product safely.
- Screws should be tightened firmly, but not forced. Overtightening can damage the product, which will significantly reduce the holding force.
- Keep a distance from moving parts when using the product.
- Use only as intended.
- This product is intended for indoor use only.
- This product may contain small components that, if swallowed, may cause choking. Keep away from children.

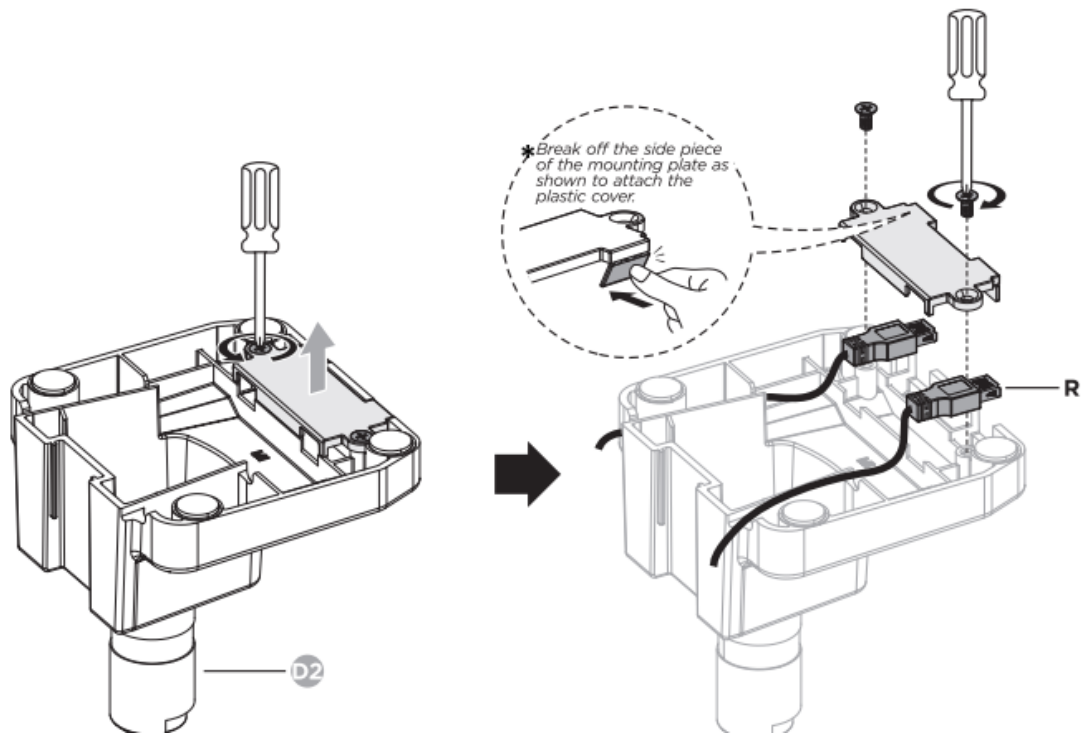
# Kit Elements



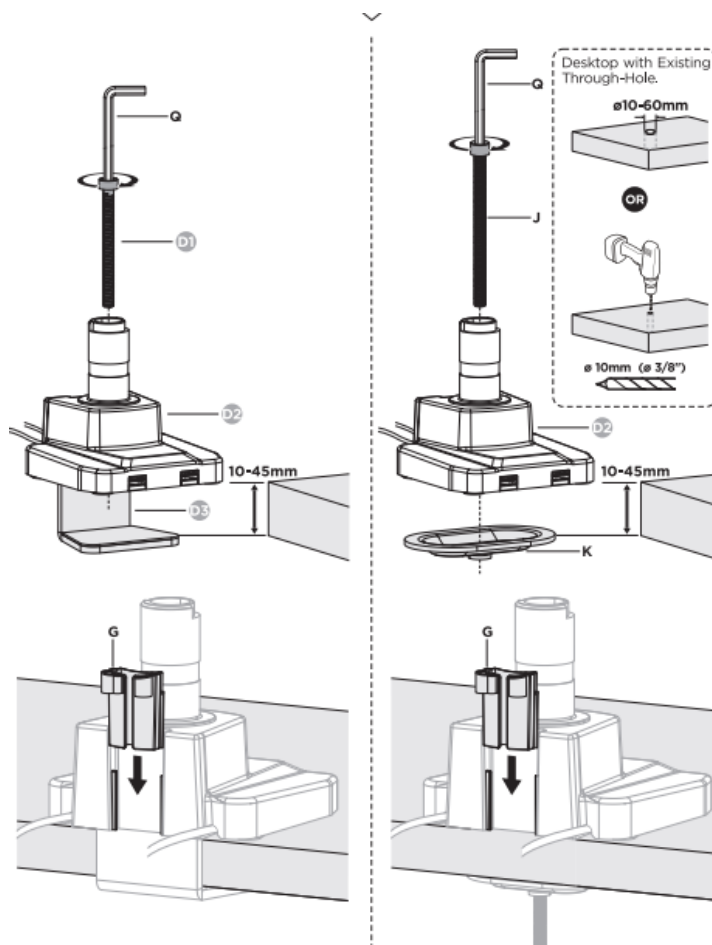
## Assembly Instructions

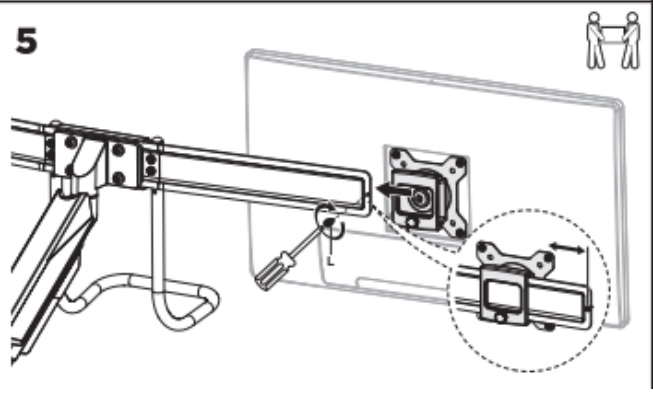
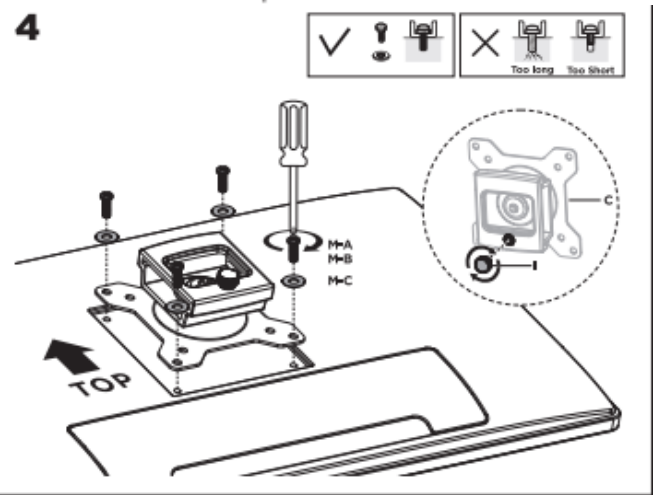
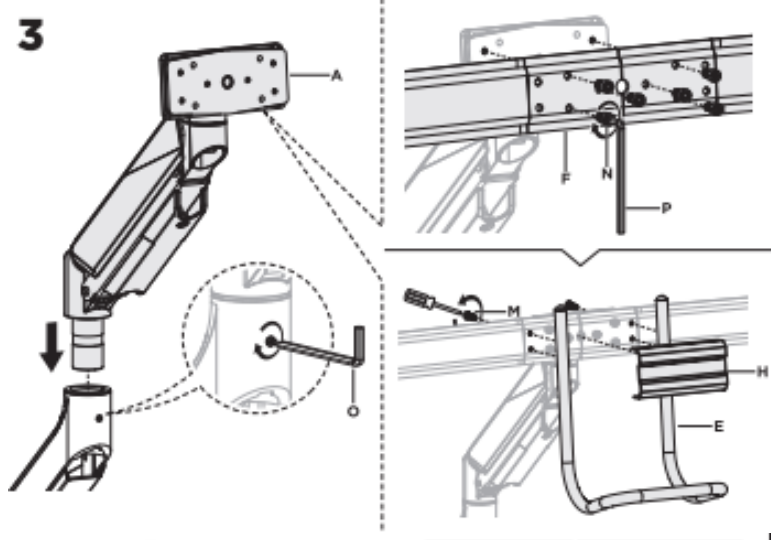
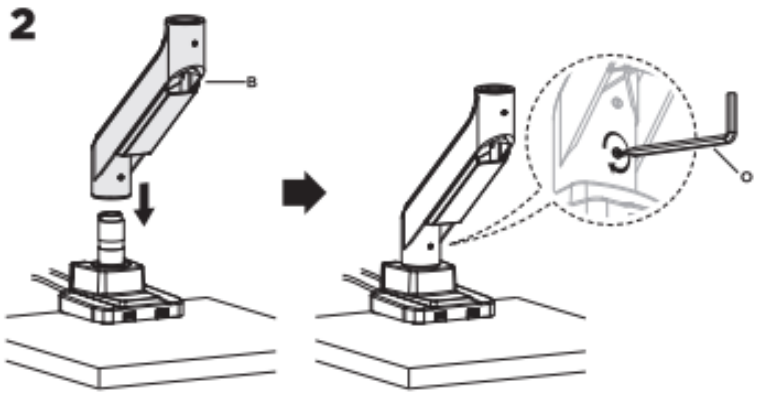


**NOTE:** Before beginning mounting the grommet or terminal, place the USB wires in the special recesses as shown in the figure below.

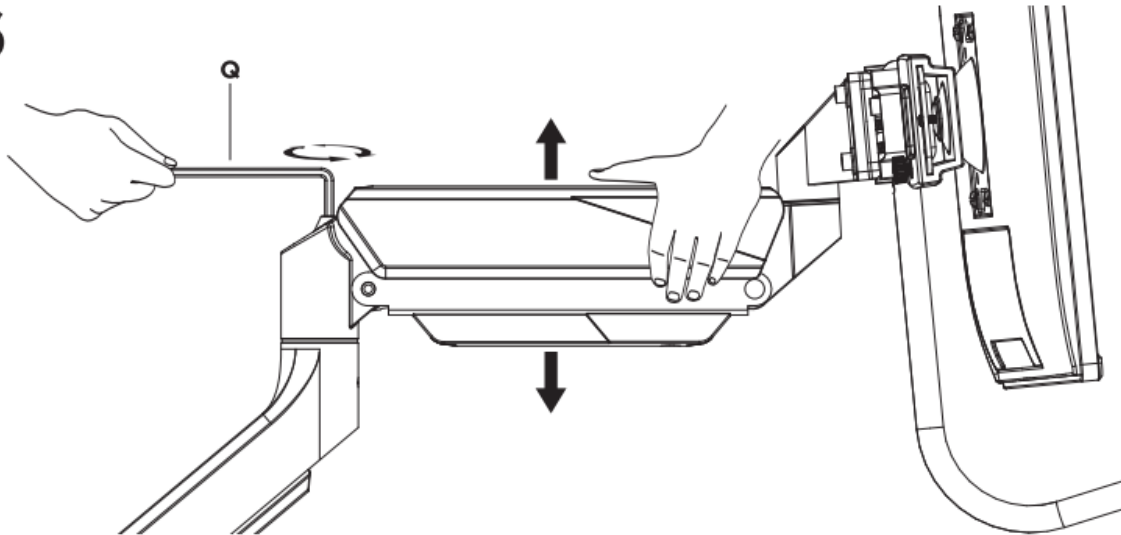


\* Tear off the side of the mounting plate as shown to attach the plastic cover.



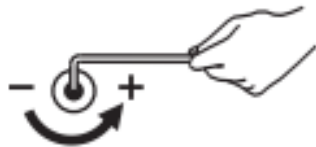


**6**



To properly balance the arm with the monitors mounted, you need to adjust the spring tension using the included Allen wrench as follows:

- First, place the arm in a horizontal position and hold it firmly as shown in the figure. Ask for help if necessary.



If the arm **drops**, turn the adjustment screw counter-clockwise until it stays in a horizontal position.



If the arm **rises**, turn the adjustment screw clockwise until it stays in a horizontal position.

\* If the arm is falling, turn the adjustment screw counterclockwise until it indicates a horizontal position.

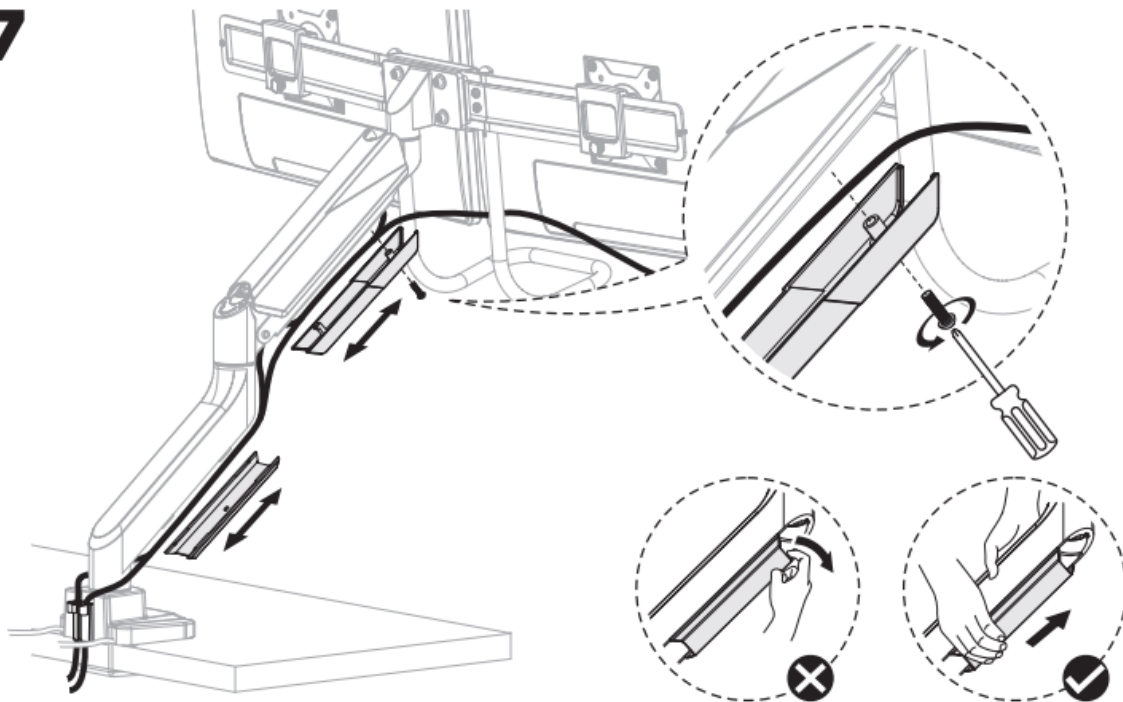
\* If the arm rises, turn the adjustment screw clockwise until it indicates the horizontal position.

**NOTE:** Do not overtighten the screws

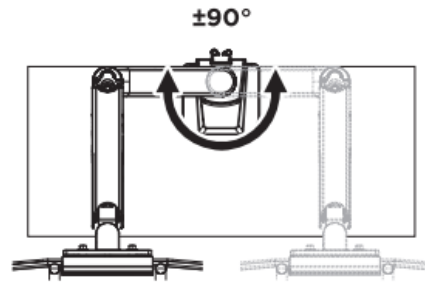
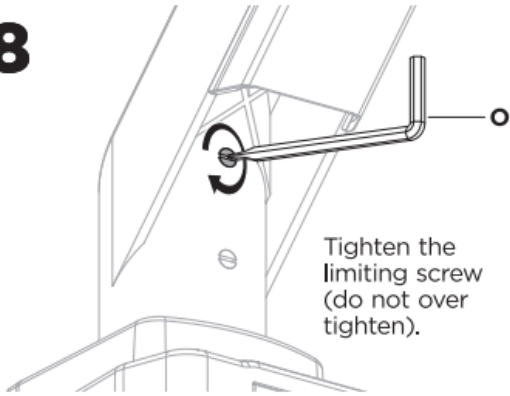


To avoid damage to the monitors or mount, always keep the arm level when adjusting. Ask for help if necessary.

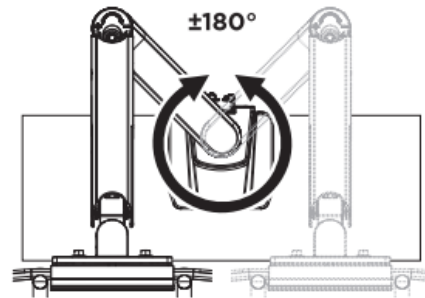
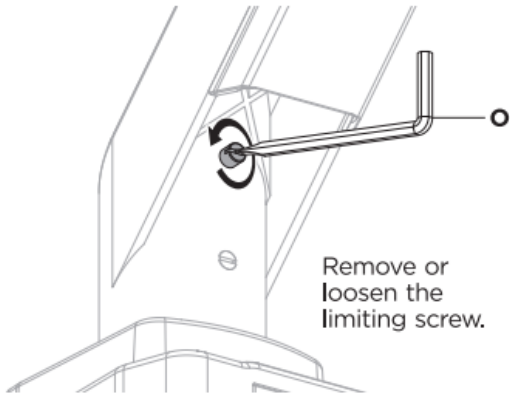
**7**



8

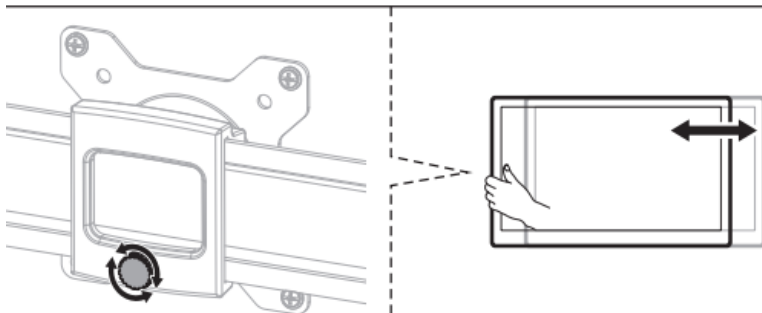
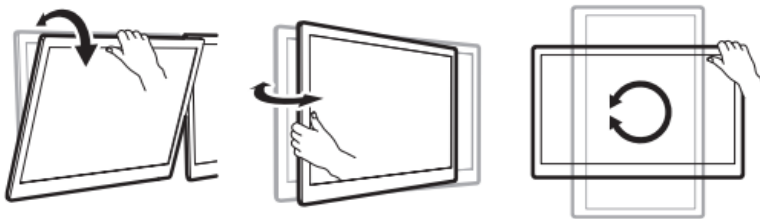
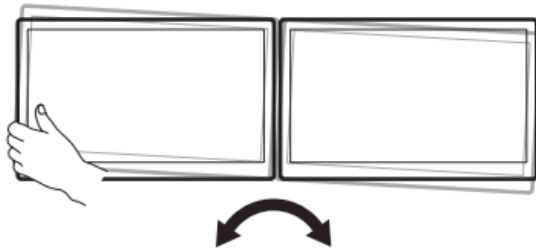


Arm can rotate 180°.



Arm can rotate without stopping.

9



10

