

User Manual

Single monitor mount **SolidHand-BG01BW**

Table of contents

Specifications: 3
Set contents:..... 4
Features: 4
Installation Tips..... 5
Assembly:..... 6

Specifications:

- **Warranty:** 1 year
- **Color:** Silver, Black
- **Material:** Aluminum
- **Surface Finish:** Powder Coating
- **Number of monitors:** 1
- **Min. monitor diagonal:** 13"
- **Max. monitor diagonal:** 32"
- **VESA Standard:** 75x75, 100x100
- **Monitor Weight:** 2~9kg
- **Height adjustment:** Gas spring assisted
- **Arm swivel range:** +90° ~ -90°
- **Monitor swivel range:** +180° ~ -180°
- **Monitor tilt range:** +60° ~ -60°
- **Max. arm outreach:** 407 mm
- **Installation:** clamp, grommet
- **Handle dimensions:** height 16-40.7cm x length 21.9-27.4cm
- **Package dimensions:** 21(W)x43(L)x12(H)cm
- **Handle weight:** 2 kg
- **Handle weight with packaging:** 2.86 kg

Set contents:

- Monitor mount,
- screws and mounting washers,
- Assembly instructions.

Features:

- **Number of monitors:** 1
- **Mounting:** Desk
- **Max. monitor weight:** 9 kg
- **Height adjustment:** Gas spring assisted
- **VESA Standard:** 75x75, 100x100
- **Display diagonal:** 13" to 32"
- **Pivot function:** yes
- **Built-in USB ports:** none

Installation Tips

CAUTION: Using the product with a load greater than the indicated permissible load may lead to instability, which may result in possible injury.

Please follow the installation instructions closely. Improper installation may result in damage or serious personal injury.

Ensure that the supporting surface can securely support the combined weight of the equipment and all attached mounting hardware and components.

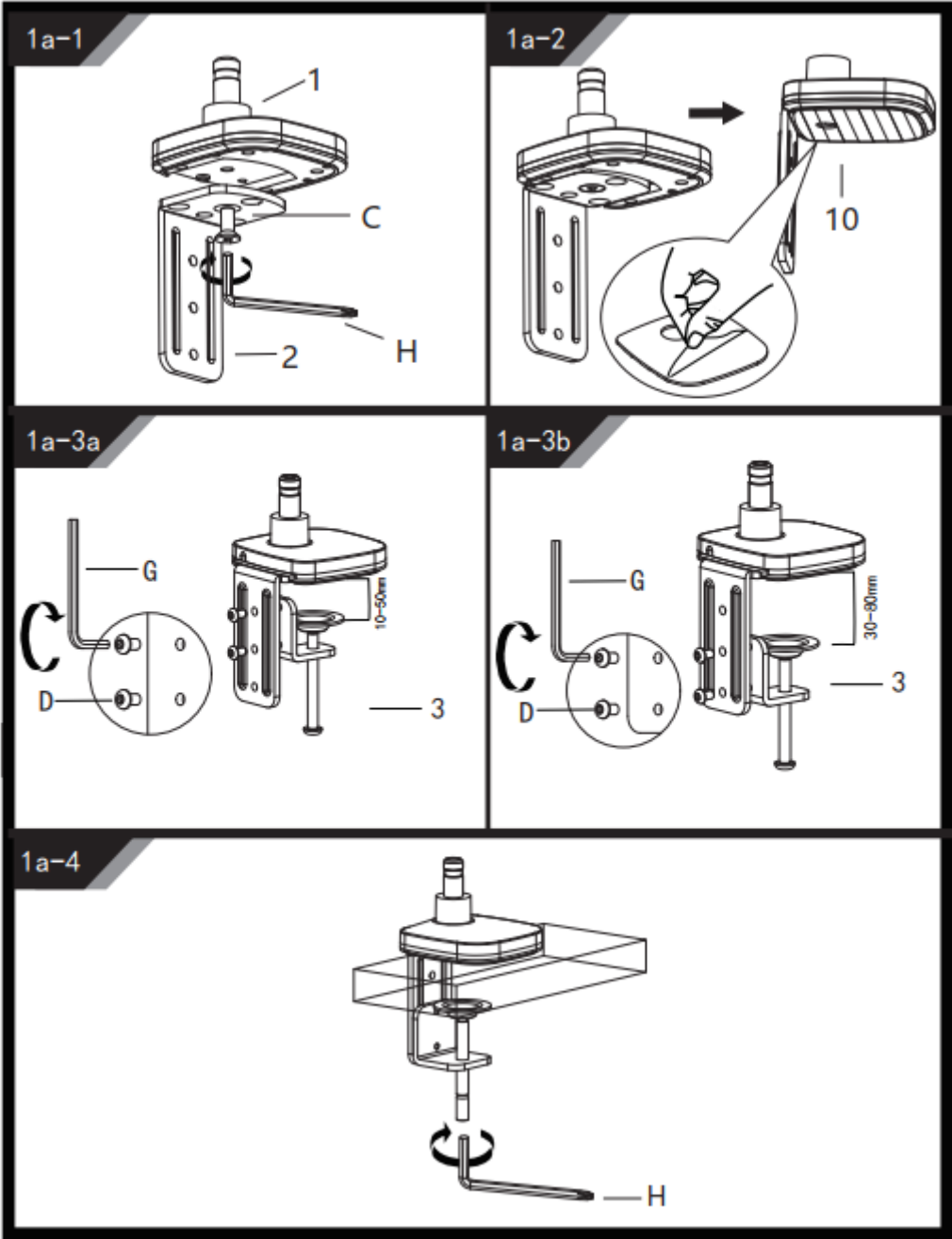
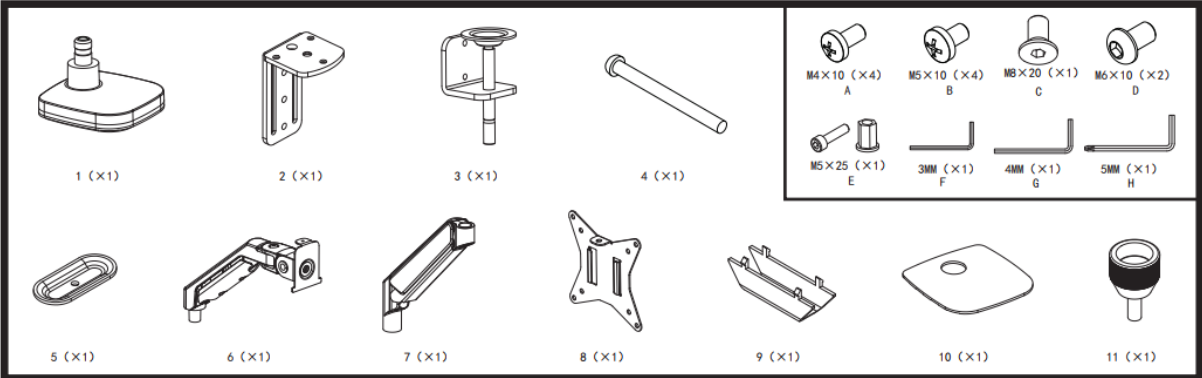
Use the included mounting screws and **DO NOT over-tighten** the mounting screws.

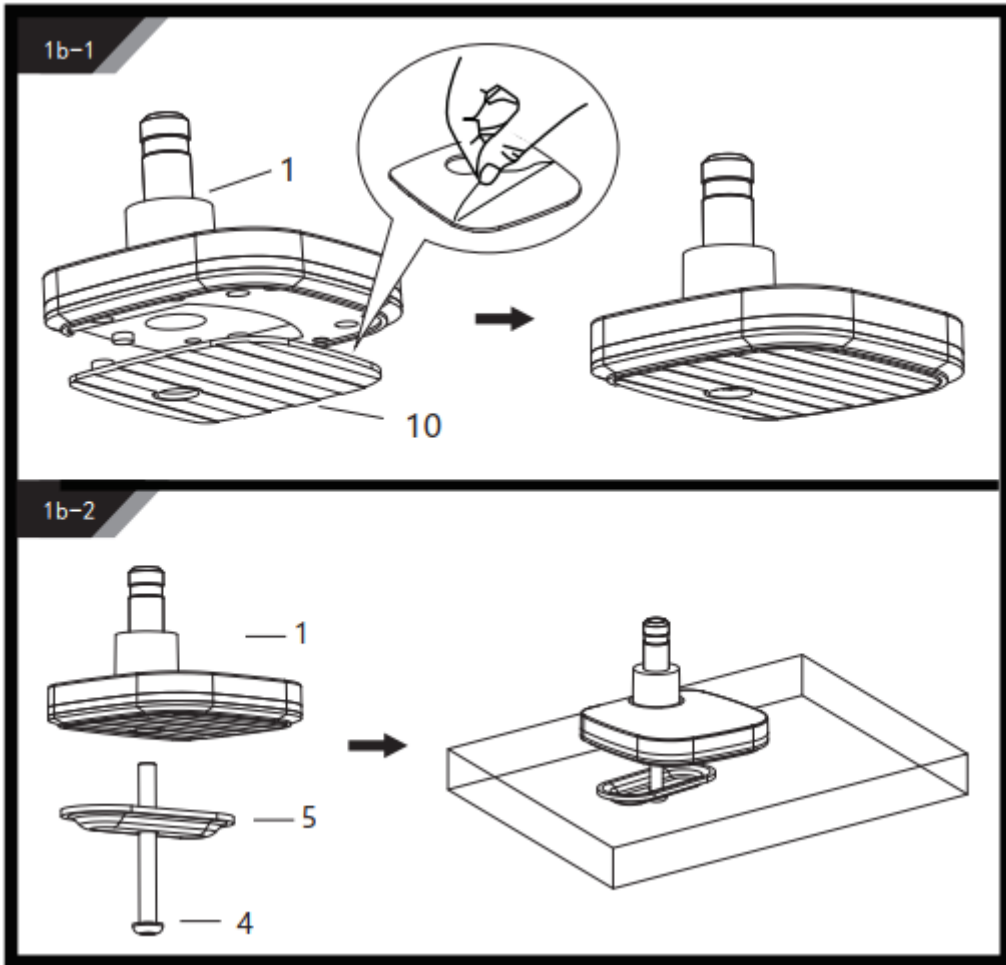
The product contains small components that may present a choking hazard if swallowed. Keep these items away from children.

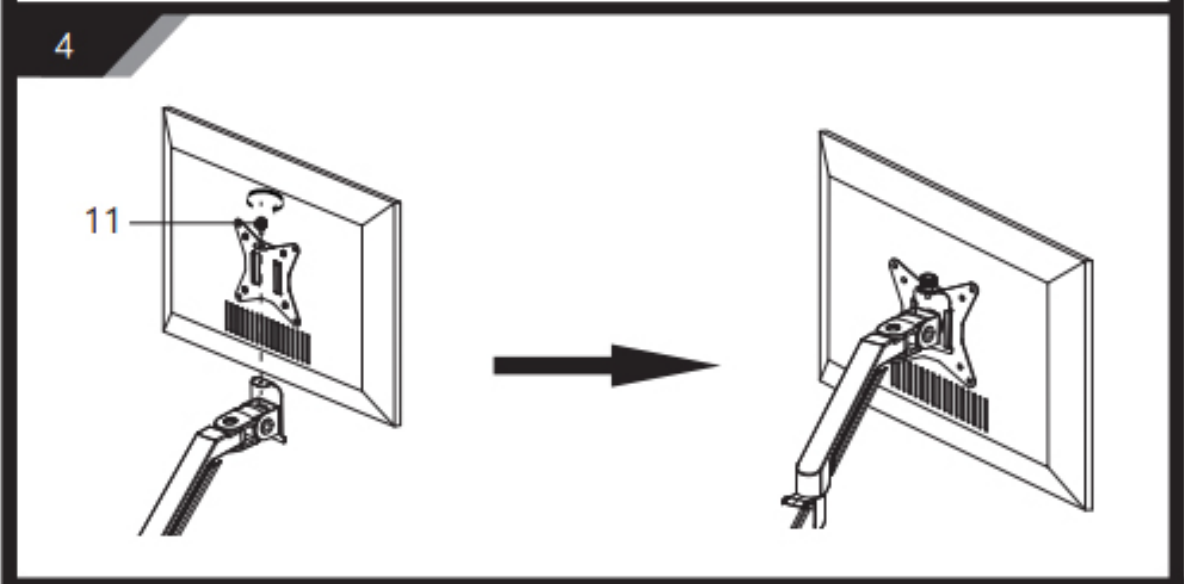
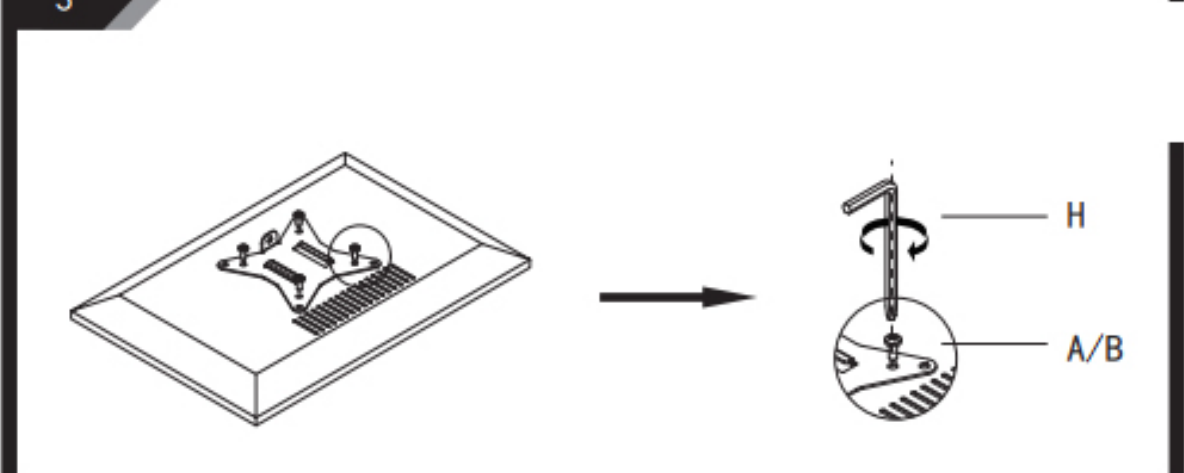
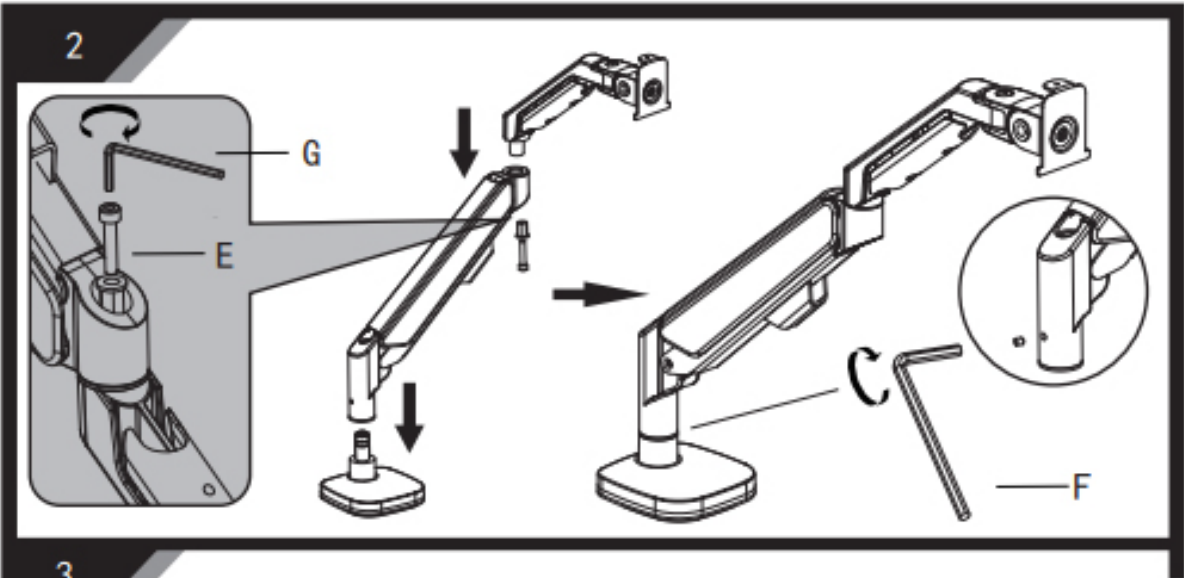
The product is intended for internal use only. Using this product outdoors may lead to product failure and personal injury.

IMPORTANT: Make sure you receive all parts according to the component list before installation. If any parts are missing or defective, please contact us.

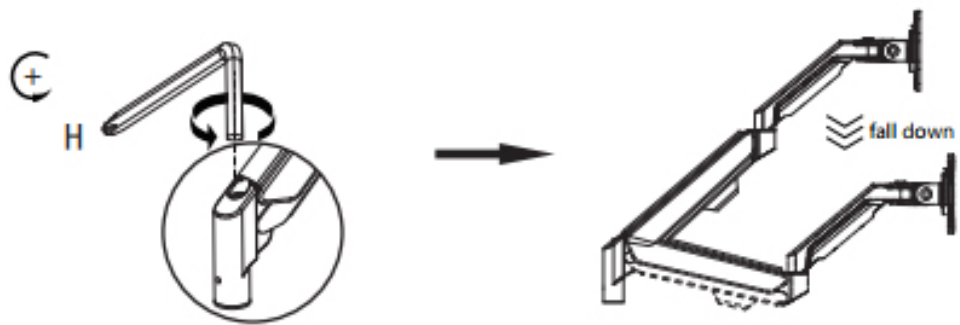
Assembly:



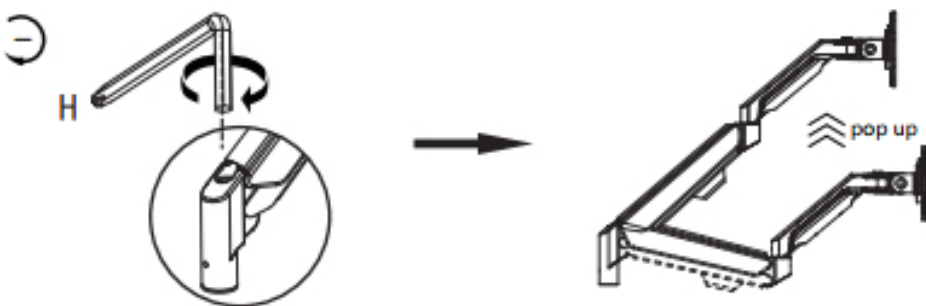




5-1

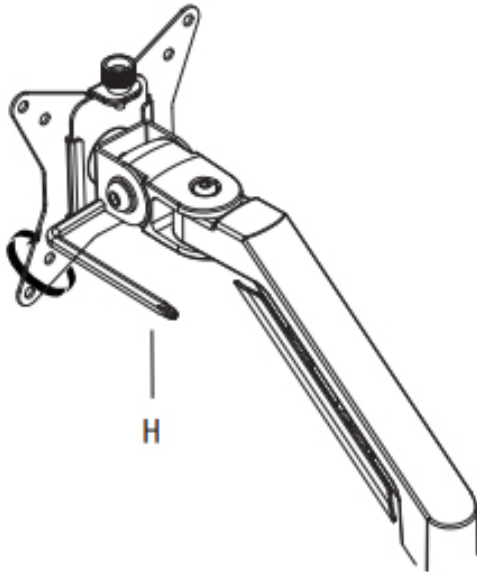


5-2



6

Adjust flexibility



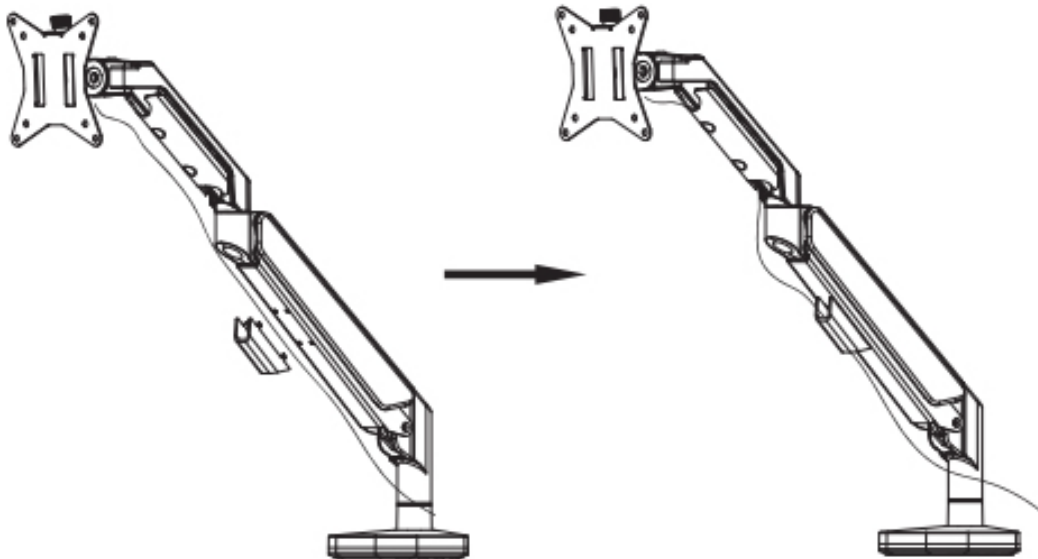
(+) Turn clockwise to tighten

(-) Turn counterclockwise to loose

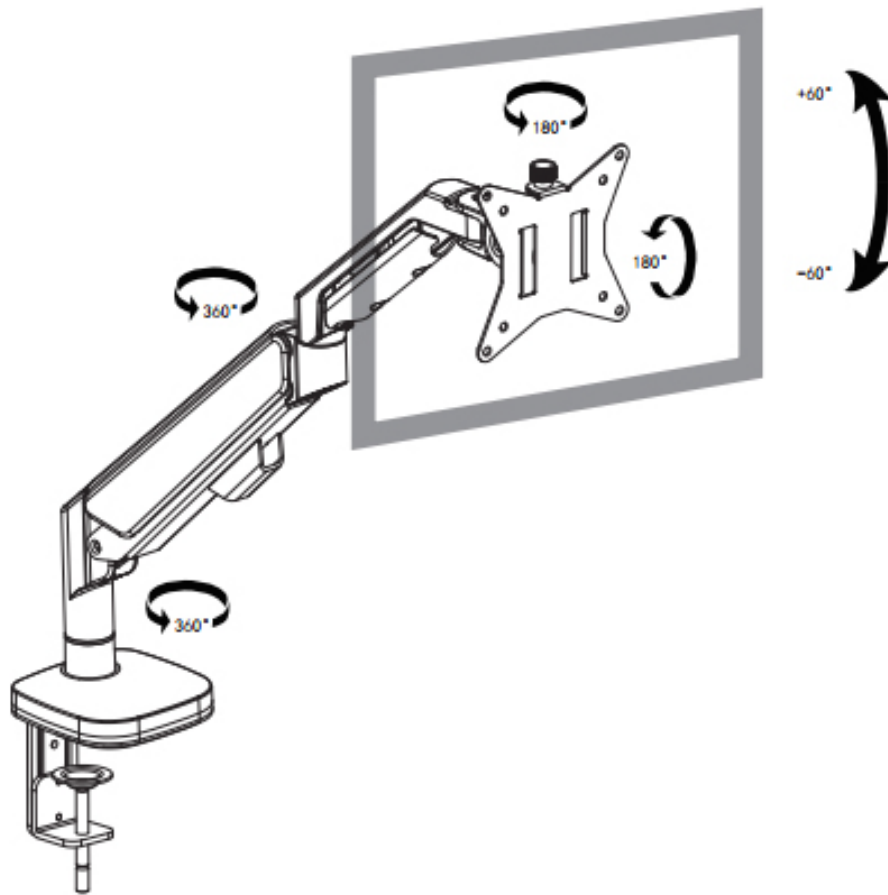
If you feel the pitching angle too tight or too loose when adjusting the mount, please adjust the Screw

7

Cable management



Adjustable instruction



Notice: Do not rotate the monitor beyond the edge of the desk to avoid stand instability and potential damage.

