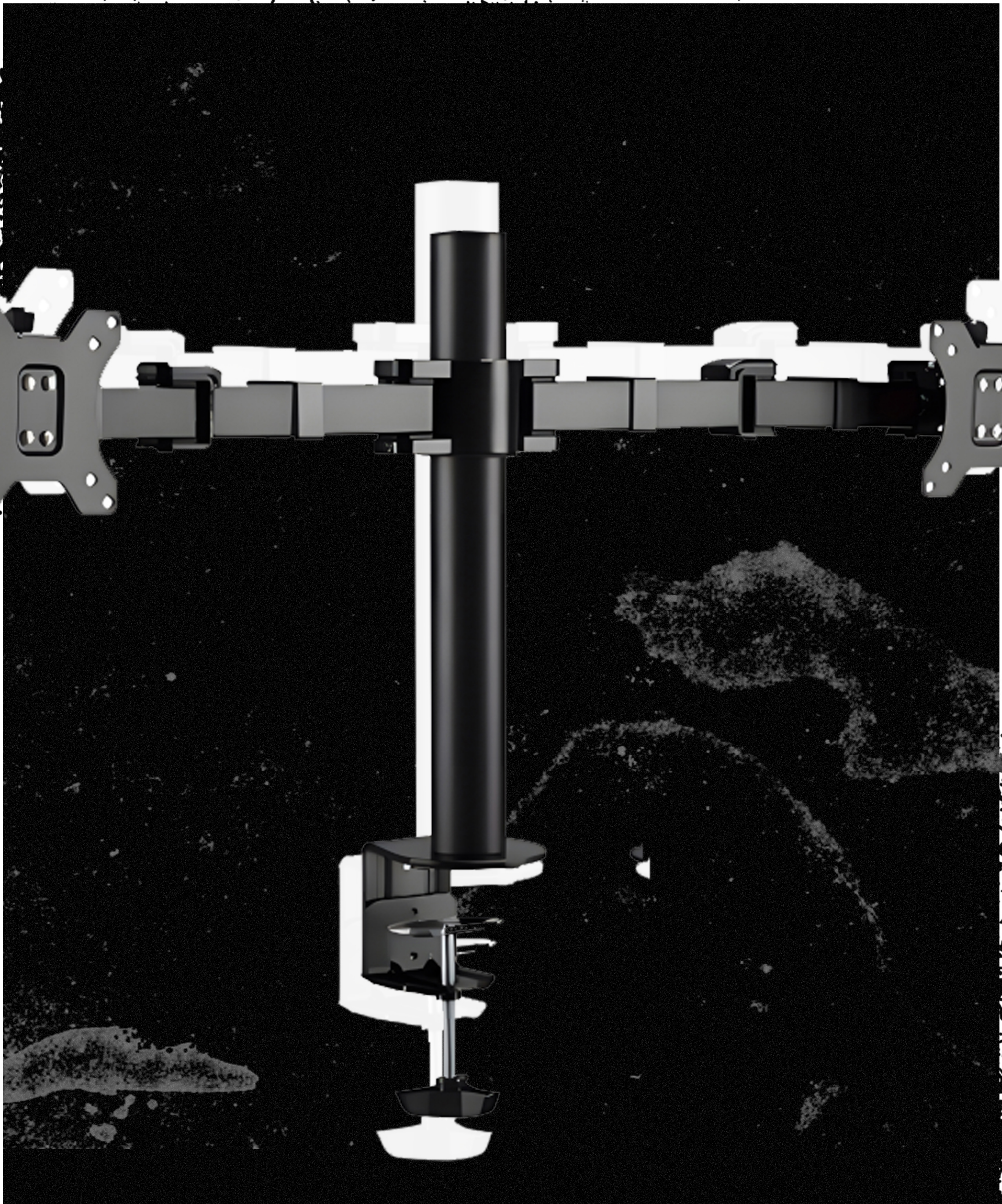


1

Desk mount for 2 monitors SolidHand-AM02



The SolidHand-AM02 is a sturdy dual-monitor desk mount for securely mounting two displays weighing up to 12 kg each and with resolutions ranging from 17 to 32 inches. It saves space on your desk and makes organizing your desk easier. Made of high-quality materials, the mount fits most monitors available on the market.

Desk mount for 2 monitors SolidHand-AM02

Model	SolidHand-AM02	Arm rotation range	+180° ~ -180°
Color	matte black	Monitor rotation range	+90° ~ -90°
Material of manufacture	steel	Monitor tilt range	+35° ~ -35°
Surface finish	powder coating	Max arm reach	380 mm
Number of monitors	2	Pole height	405 mm
Min. monitor diagonal	17"	Handle dimensions	874 x 136 x 556 mm
Maximum monitor diagonal	32"	Package dimensions	450 x 265 x 130 mm
VESA standard	75x75, 100x100	Handle weight	4,4 kg
Weight of one monitor	12 kg	Weight with packaging	5,2 kg

