

User Manual

Electromagnetic Lock for Front Door **SecureEntry-ML200**

Table of contents

Specifications: 3
Set contents:..... 4
Features: 4
Optional Brackets..... 5
Installation..... 5

Specifications:

- **Warranty:** 1 year
- **Device type:** two-wire electromagnetic lock for single entrance door
- **Magnet power:** up to 280 kg
- **Voltage of cooperating accessories:** DC12V and 24V
- **Input operating current:** 450 mA
- **Voltage tolerance:** 115%
- **Magnetic Monitoring Sensor Output:** (SPDT 1A 12V DC), remotely monitor the door lock or unlock status. (Exit N.C. - door open; N.O. exit - door closed)
- **Operating temperature:** -10-55°C
- **Operating humidity:** 0-95% non-condensing
- **Lock size:** (L) 25 x (W) 4.8 x (H) 2.6 cm
- **Mounting plate size:** (L) 25 x (W) 2.5 x (H) 0.6cm
- **Armature Plate Size:** (L) 18 x (W) 3.8 x (H) 1.1cm
- **Special Magnet & Armature Plate Finishes:** Zinc
- **Package dimensions:** 26.7 x 6.5 x 6 cm
- **Product weight:** 1.85 kg
- **Package weight:** 5 kg

Set contents:

- Electromagnetic lock
- Mounting plate
- Mounting screws

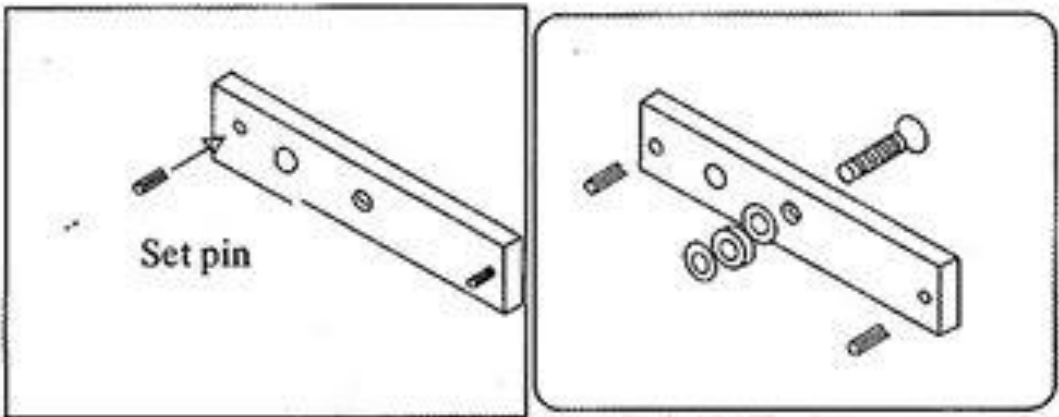
Features:

- The electromagnetic lock can be connected to a variety of devices to provide a system that controls access to rooms
- Magnet with a power of up to 280 kg guarantees safety
- Robust design for durability
- Can be mounted on almost all types of frames, such as wooden or frameless glass doors

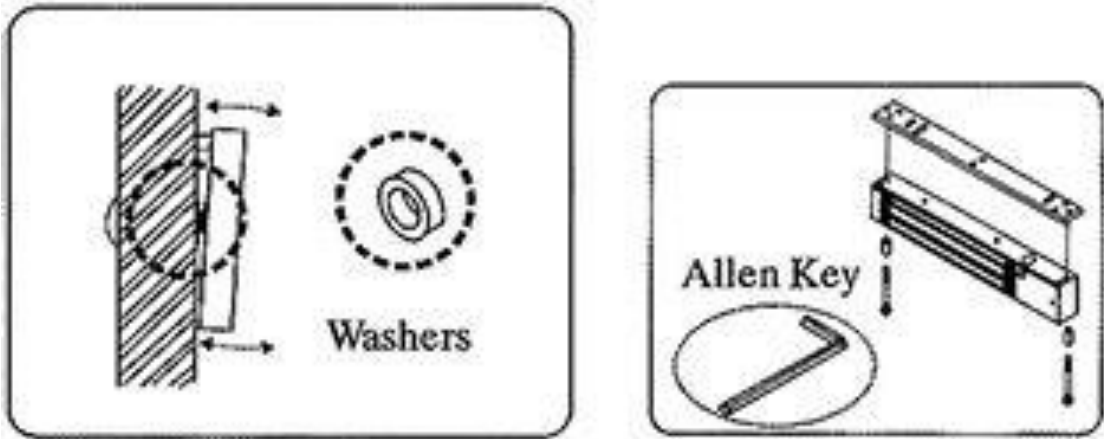
Optional Brackets

Determine the direction of rotation of the door and inspect the frame lintel to determine if a bracket is required. Depending on the frame lintel and the direction of rotation of the solenoid, L, LZ or U brackets may be required.

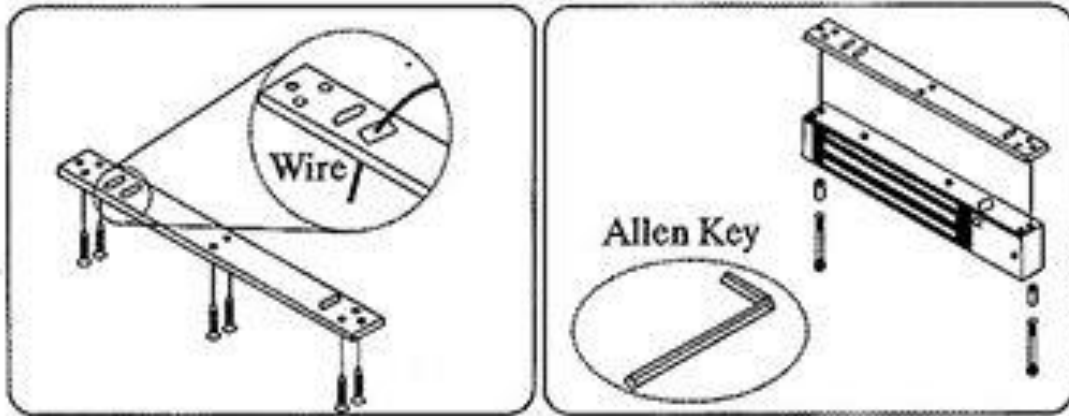
Installation



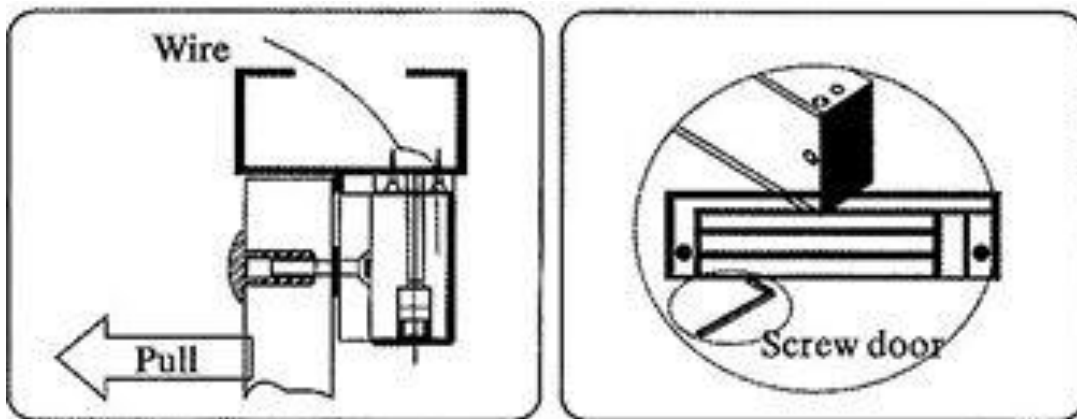
Insert the pin into the armature according to the drawings and add the washers on the armature.



Place the washers between the armature plate and the door leaf. Using an Allen key, remove the mounting plate from the lock body.

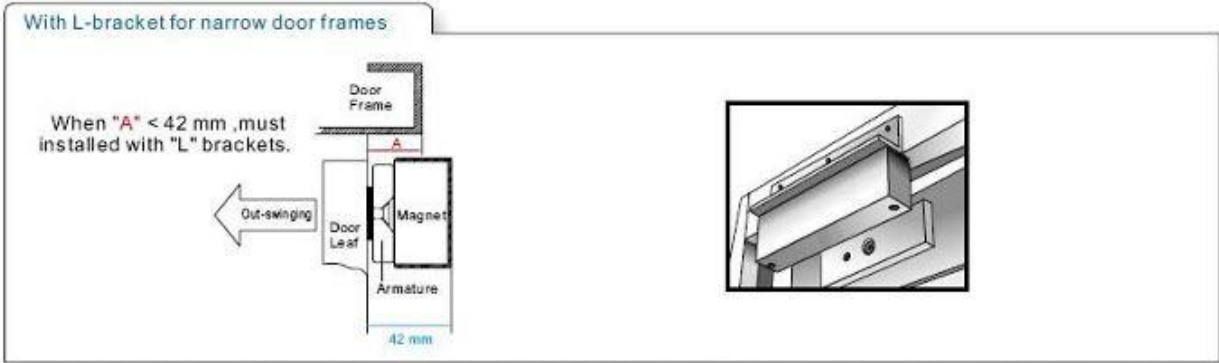


Feed the wire through the wire hole, then screw the mounting plate onto the door frame. Use an Allen key to screw the lock body onto the mounting plate.

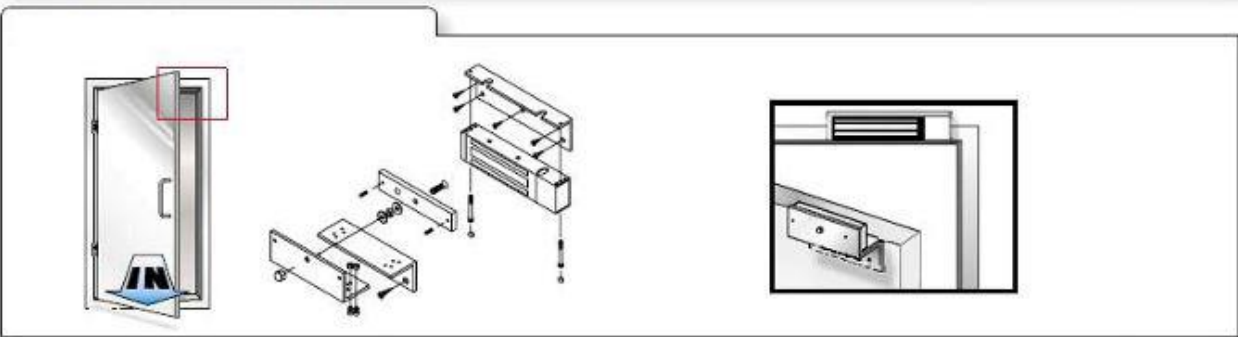


Close and pull the door to check the holding force, additional washers can be added to adjust the angle between the door leaf and the fittings plate. After checking the holding force, tighten the control screws.

L-bracket for narrow door frames



LZ bracket for swinging doors



U-shaped bracket for frameless glass doors

