

User Manual

Electronic door handle
with RFID access control

SecureEntry-HL100

Table of contents

- Specifications: 3
- Set contents:..... 4
- Features: 4
- Installation diagram 5
- Method for evaluating the length of the locking blade and the rotary blade 6
- Installation Procedures7
 - 1. Opening and making holes: 7
 - 2. Installing the lock:..... 7
 - 3. Front Panel Assembly 8
 - 4. Mounting the Rear Panel 9
 - 5. Hitch Plate and Box Installation..... 10
 - 6. Adjustment after installation 10
- Functionality 11
- Description of the function keys.....12
- Low battery alarm12
- Alarm Lock.....12
- Burglar alarm.....12
- Initialization of settings13
- Function Instruction Manual14

Specifications:

- **Warranty:** 1 year
- **Device type:** electronic door handle with RFID access control
- **Verification Type:** Password , Fingerprint, RFID Card, TUYA App, Classic Key
- **Capacity of users in the database:** 300
- **RFID Card Supported:** 13.56MHz
- **Suitable door thickness:** 41 - 55 mm
- **Additional functions:** touch keyboard, cooperation with TUYA app
- **Groove:** 35 x 85
- **Compatibility:** compatible with more than 10 keyways, including European standard lock body
- **Handle direction:** universal, left or right
- **Voltage:** DC6V, 4 AAA alkaline batteries
- **Alarm Voltage:** 4.8V
- **Power consumption:** <50 μ a
- **Zipper size:** 3.8 x 29 cm
- **Volume Level:** 1-6
- **Password length:** 4-10 digits

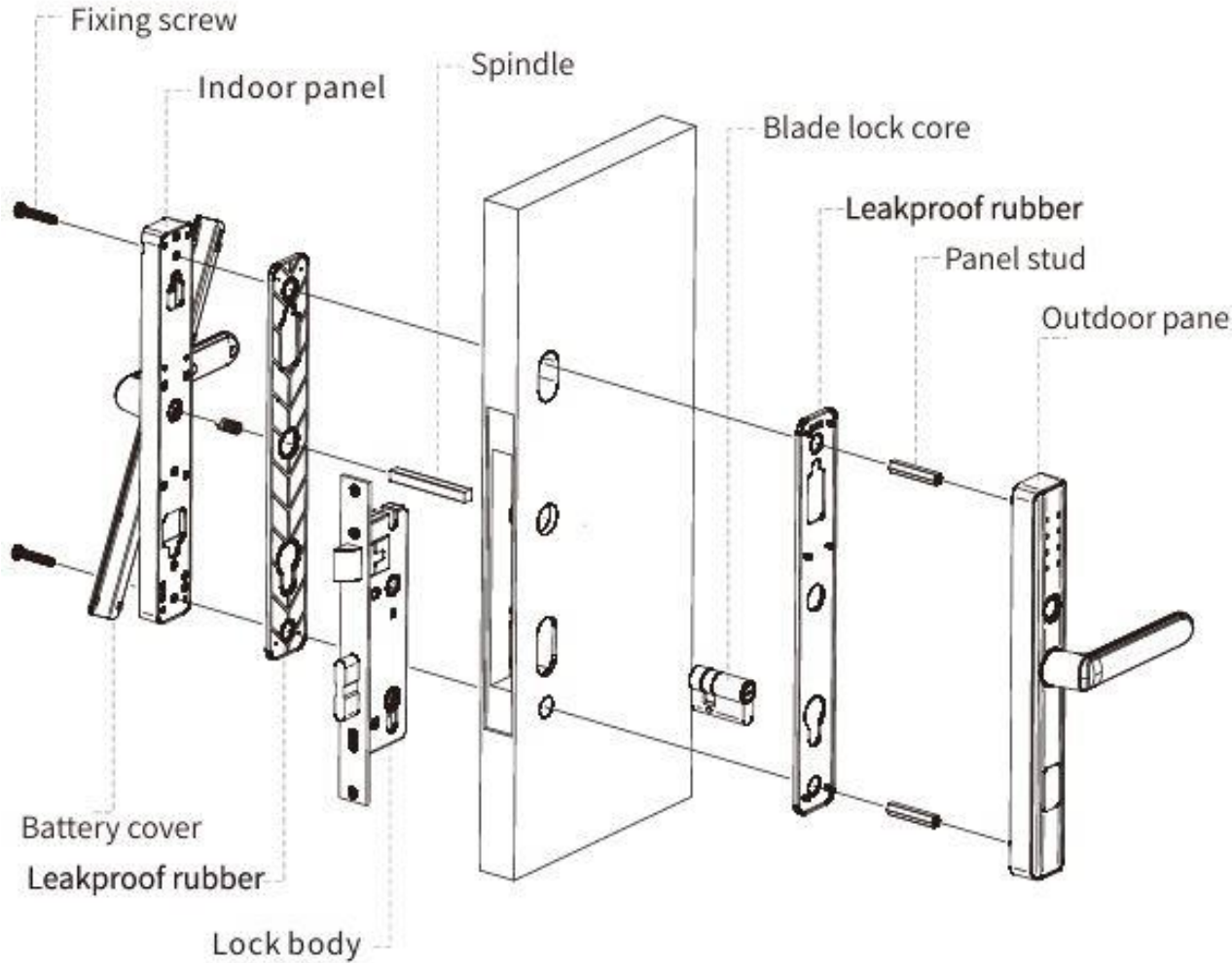
Set contents:

- Interior panel
- Outside panel
- 2x rubber safety insert
- Lock body
- Connecting pin
- Blade lock core
- Plastic cap
- 3x karty RFID Mifare 1
- Two classic keys
- Template for cutting out holes
- User Manual

Features:

- The electronic handle offers the possibility of opening the door with an RFID card, fingerprint, password, through the TUYA application and with a classic key
- Elegant and modern design influencing the aesthetic value of the surroundings
- Touch keyboard allows for convenient and comfortable password entry
- Up to 300 users can be stored in the internal memory
- Universality of installation, the handle can be set as right or left, depending on your preferences and needs
- Ideal for door thicknesses from 41 to 55 mm

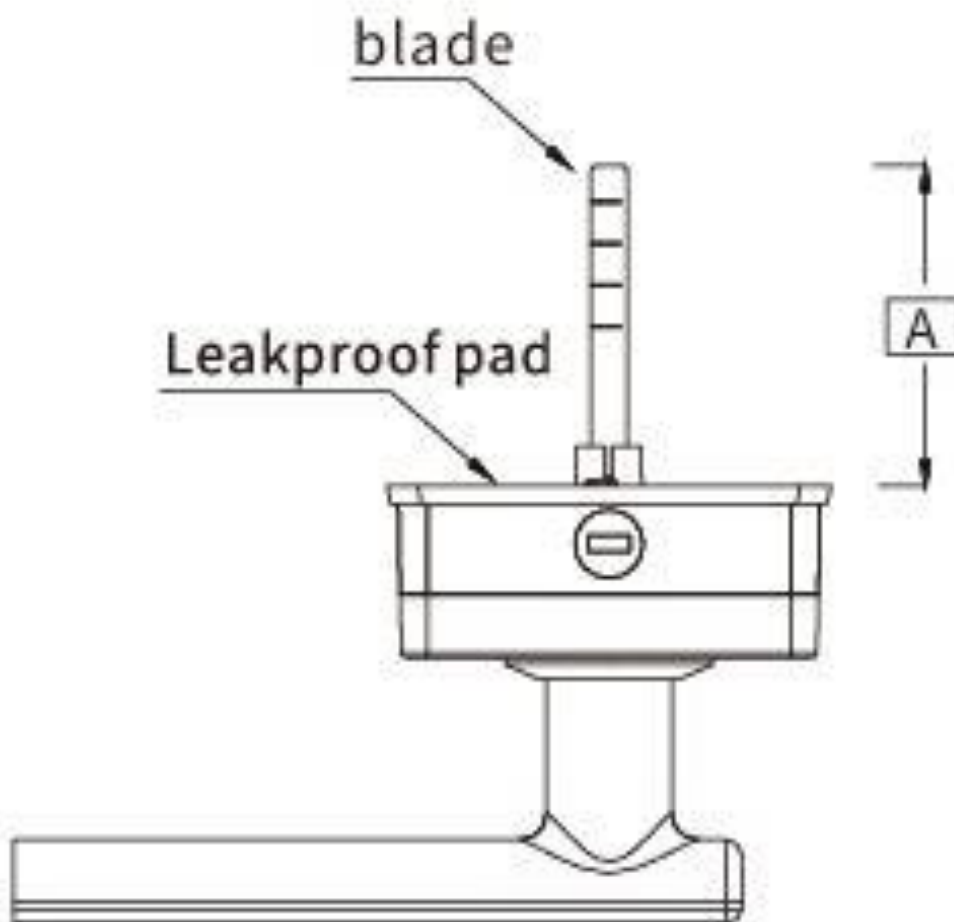
Installation diagram



Method for evaluating the length of the locking blade and the rotary blade

1. The required distance is marked with the letter A in the drawing.
2. Taking the leakage washer as the starting point, the length A is equal to the thickness of the door.

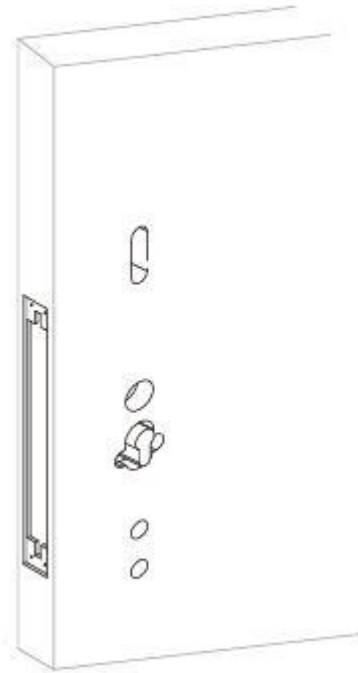
The cutting error is controlled at a level of 5 mm.



Installation Procedures

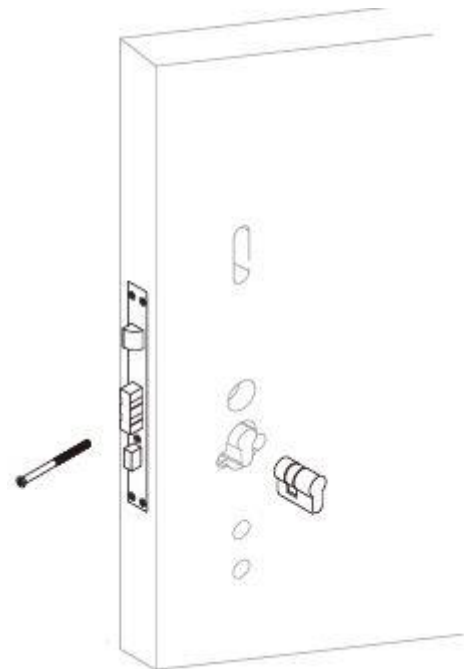
1. Opening and making holes:

- **Opening:** open the panel and lock the mounting hole according to the requirements of the opening template.
- **Slotted cutting:** use a drill bit, wire saw and other tools to drill a hole for the side plate on the door side, and drill holes for the lock body.



2. Installing the lock:

- Install the lock body into the door opening in such a way that the rod passes through it. Then place the lock body in place.
- Attach the lock body with the 4 screws and tighten them.
- Insert the gripping sleeve into the corresponding position of the lock body, and then use the tapered threaded screw. Replace the side panel to secure it.

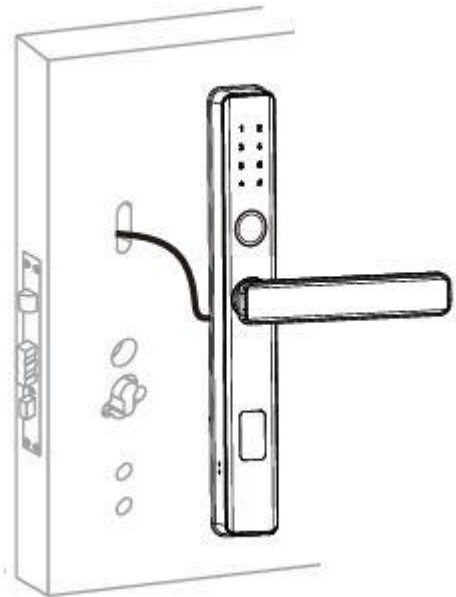




Make sure the lock tongue is closed in the correct direction and the bars are securely placed. The lock is tested with a key, it should unlock smoothly.

3. Front Panel Assembly

- Insert the wire connector on the front panel through the door panel. Insert the square hole into the large hole in the lock body.
- Attach the front panel button face screws to the front door panel.




Once the assembly is complete, check that the pressure lever is in no lock and that the reverse lever is locking the main tongue.

4. Mounting the Rear Panel

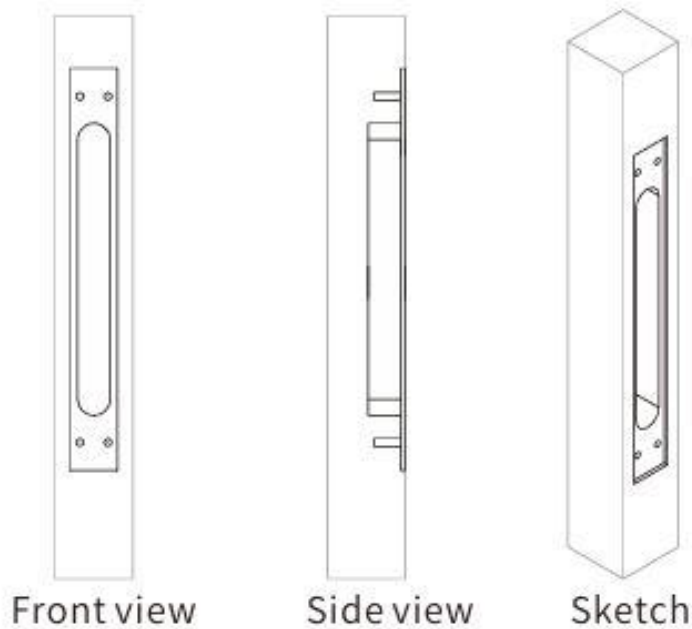
- Connect the cable connector on the rear panel to the corresponding connector on the front panel.
- First, place the spring in the handle hole on the rear panel, and then rotate the button and the large axle in the corresponding holes. Attach the flat part and install on the rear panel of the door.
- Place the screws into the corresponding holes, fix the back panel and tighten the screws, install the battery and close the battery cover.



 Once the assembly is complete, check that the pressure lever is in no lock and that the reverse lever is locking the main tongue.

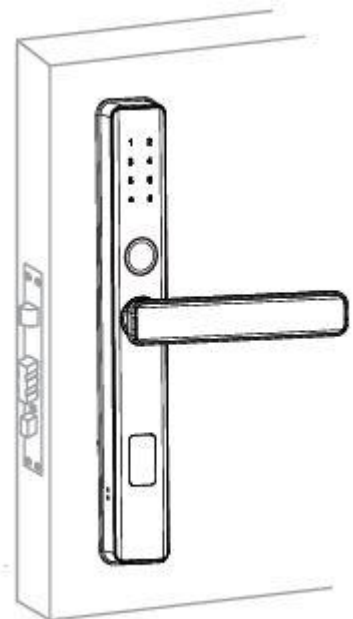
5. Hitch Plate and Box Installation

According to the height of the lock body, drill a groove and install the strike plate and box on the door frame.



6. Adjustment after installation

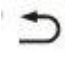

- Unlock the door with your fingerprint, password or IC card. Meanwhile, turn the handle and flip it over to check its smooth operation.
- Unlock the door with a mechanical key to check its normal and correct operation.



Functionality

1. When the digital buttons are touched, the voice navigation system will automatically turn off after 15 seconds if no operation is performed after the voice navigation system is started.
2. The default password to manage the door unlock is "123456". You can change the management password.
3. Each admin card/password/fingerprint has a corresponding 1-3 digit ID, making it easy to remove the user or admin if needed.
4. There are 93 groups of unlock information, corresponding to numbers 1-93. Among them, there are 5 groups of administrators, corresponding to numbers 1-5. There are 88 groups of user information, corresponding to numbers 6-93. The sum of the card, password, and fingerprint is 93 groups.
5. A dummy password can be added before and after the main password, and the password length is 4-10 digits.
6. The device is equipped with a USB charging port.
7. After entering 5 wrong passwords, 5 wrong cards, and 5 wrong fingerprints consecutively, the keypad will be immediately locked for about 180 seconds.

Description of the function keys

1. **Admin information:** refers to the administrator's fingerprint, password, or RFID card.
2. **Unlock information:** refers to the fingerprint, password, or RFID card information entered (including administrators and regular users).
3.  **Wipe Key/Delete Key:** When entering the password, click to clear the previous data entered, then click 3 times to clear the data entered.
4.  A confirmation key or function key to enter the menu.

Low battery alarm

1. When the battery is in a low state, the device will inform you when it is unlocked.
2. Backup power supply: the device can be connected to an external USB interface to provide continuous power to open the door.

Alarm Lock

If the incorrect unlock information is entered more than 5 times within 5 minutes, the system will enter the locked state and be automatically unlocked after 180 seconds.

Burglar alarm

If the anti-theft button is triggered, the system will trigger an alarm lasting 30 seconds, which can only be canceled if the correct unlocking information is entered.

Initialization of settings

In off mode, press and hold the RESET button, then turn on the power. After holding the RESET button for 5 seconds, the system will say "Restore factory settings, press the button to confirm".



Note: When the factory is restored, all user registration information will be erased.

Function Instruction Manual

Press “↵” + “↵” in the initialization state
 Enter the menu settings,
 Enter the factory password in the initial state: 123456,
 Enter the menu function setting

