

User Manual

Electronic door lock SecureEntry-EL300

Table of contents

- Specifications: 3
- Set contents:..... 4
- Features: 4
- Product Description..... 5
- Time delay setting..... 5
- Installation diagram 6
- Connection diagram.....7

Specifications:

- **Warranty:** 1 year
- **Material:** Steel
- **Device type:** electronic door lock
- **Output Length:** 15mm
- **Input Voltage:** DC12V
- **Input Current:** 200mA
- **Starting Current:** 1.3A
- **Strength:** up to 1000 kg
- **Lock Delay:** 0/3/6 seconds delay
- **Suitable door type:** top or bottom mounting of frameless glass doors
- **Working Mode:** Power Off to Unlock, Power On to Lock
- **Signal Function:** Magnetic Gate
- **Lock Body Size:** Length 14.6 x Width 4.4 x Height 3.9cm
- **Lock core size:** diameter 12.5cm
- **Package dimensions:** 17 x 7 x 5 cm
- **Device weight:** 700 g
- **Weight with packaging:** 1 kg

Set contents:

- Electronic lock
- 2 pcs. rubber inserts
- Allen key
- Manual

Features:

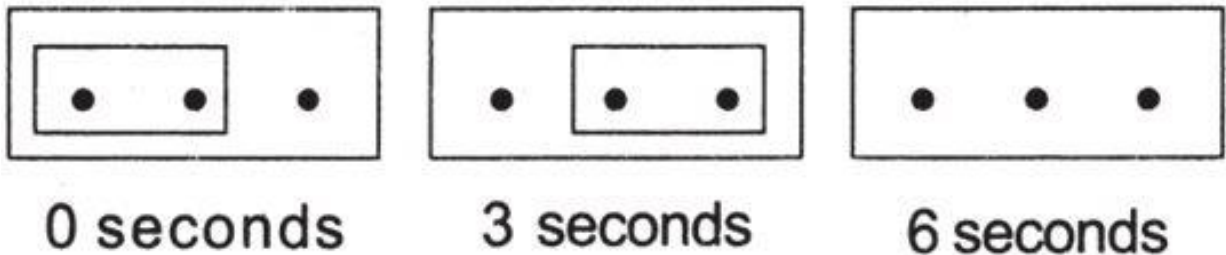
- The lock guarantees a secure grip up to 1000 kg
- Adjustable lock release delay time
- The lock can be connected to RFID readers and time and attendance recorders
- The device offers DC12V voltage

Product Description

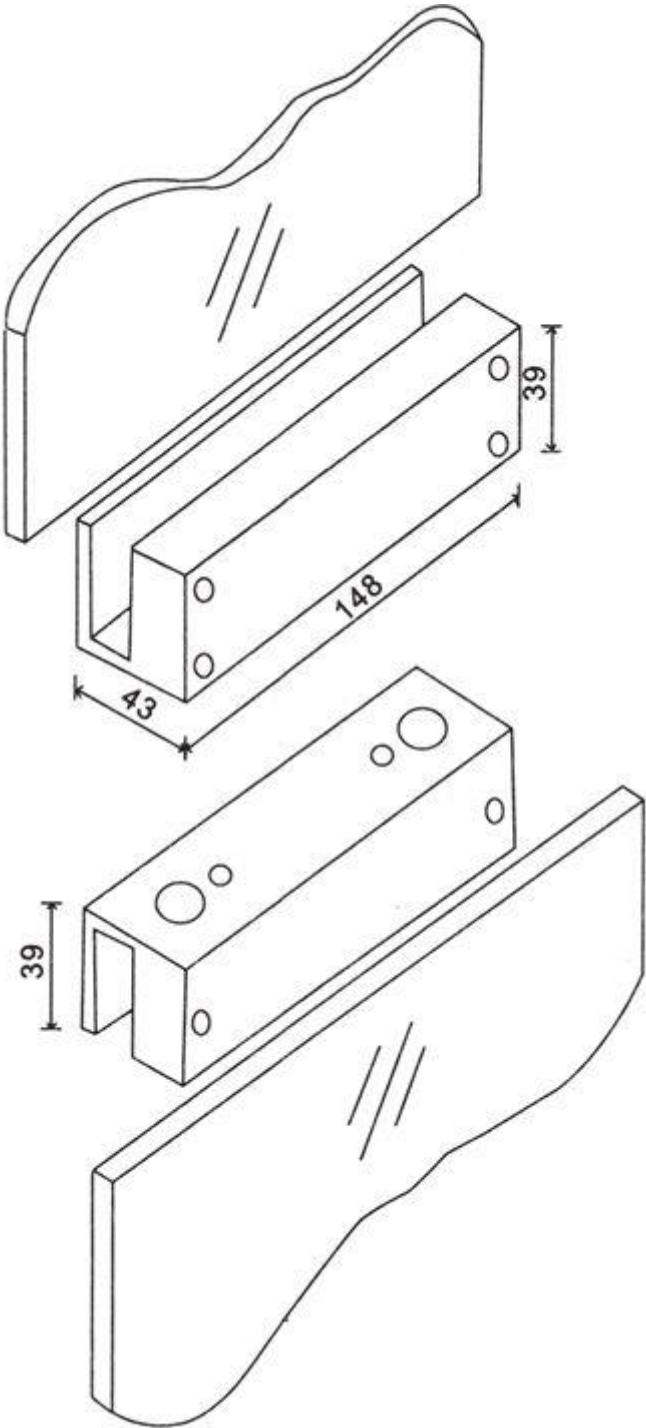
The SecureEntry-EL300 has been specially designed to be mounted on frameless glass doors.

The time delay setting can maintain the open/close state of the bolt for a certain time. Thus, when connected to an access control system, some employees can enter or exit through the door at the same time.

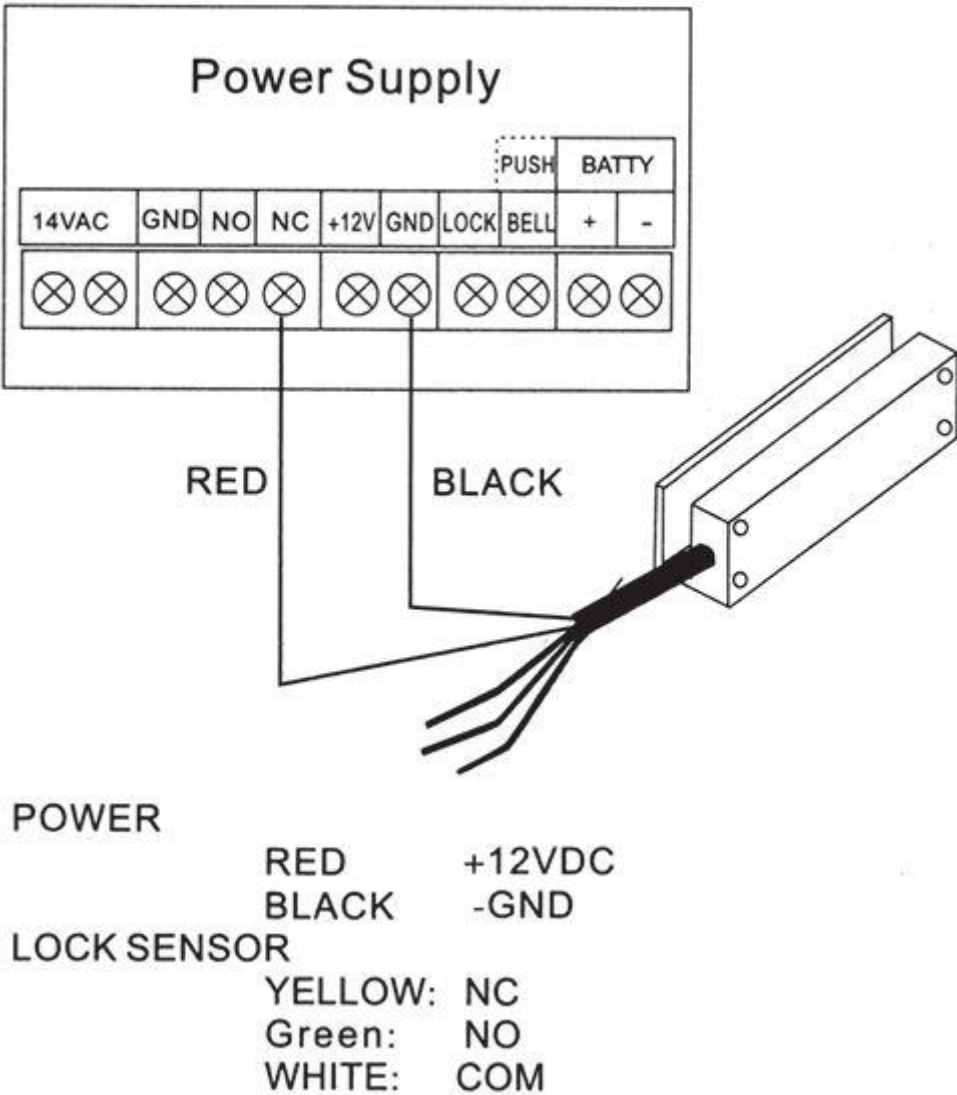
Time delay setting



Installation diagram



Connection diagram



Remark:

1. When the red cable is connected to the NC, the interlock is fail-safe.
2. Once the red cable is connected to NO, the lock is secured.