

# User Manual

---

## Electronic door lock SecureEntry-EL300

# Table of contents

- Specifications: ..... 3
- Set contents:..... 4
- Features: ..... 4
- Product Description..... 5
- Time delay setting..... 5
- Installation diagram ..... 6
- Connection diagram.....7

## Specifications:

- **Warranty:** 1 year
- **Material:** Steel
- **Device type:** electronic door lock
- **Output Length:** 15mm
- **Input Voltage:** DC12V
- **Input Current:** 200mA
- **Starting Current:** 1.3A
- **Strength:** up to 1000 kg
- **Lock Delay:** 0/3/6 seconds delay
- **Suitable door type:** top or bottom mounting of frameless glass doors
- **Working Mode:** Power Off to Unlock, Power On to Lock
- **Signal Function:** Magnetic Gate
- **Lock Body Size:** Length 14.6 x Width 4.4 x Height 3.9cm
- **Lock core size:** diameter 12.5cm
- **Package dimensions:** 17 x 7 x 5 cm
- **Device weight:** 700 g
- **Weight with packaging:** 1 kg

## Set contents:

- Electronic lock
- 2 pcs. rubber inserts
- Allen key
- Manual

## Features:

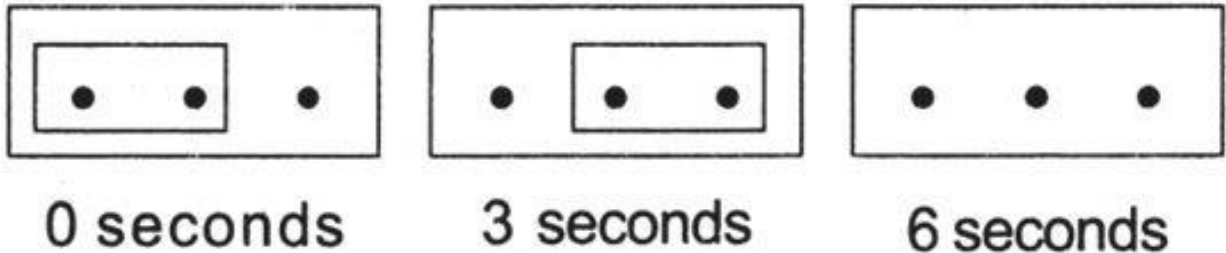
- The lock guarantees a secure grip up to 1000 kg
- Adjustable lock release delay time
- The lock can be connected to RFID readers and time and attendance recorders
- The device offers DC12V voltage

# Product Description

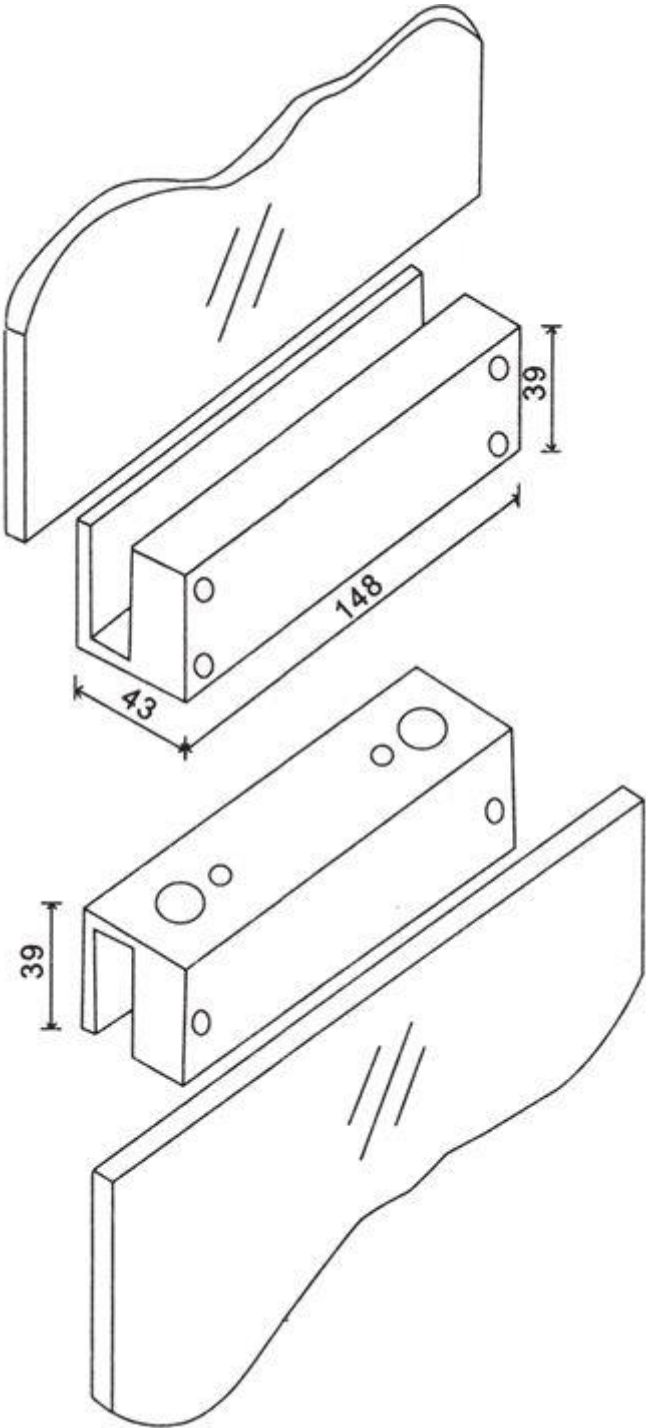
The SecureEntry-EL300 has been specially designed to be mounted on frameless glass doors.

The time delay setting can maintain the open/close state of the bolt for a certain time. Thus, when connected to an access control system, some employees can enter or exit through the door at the same time.

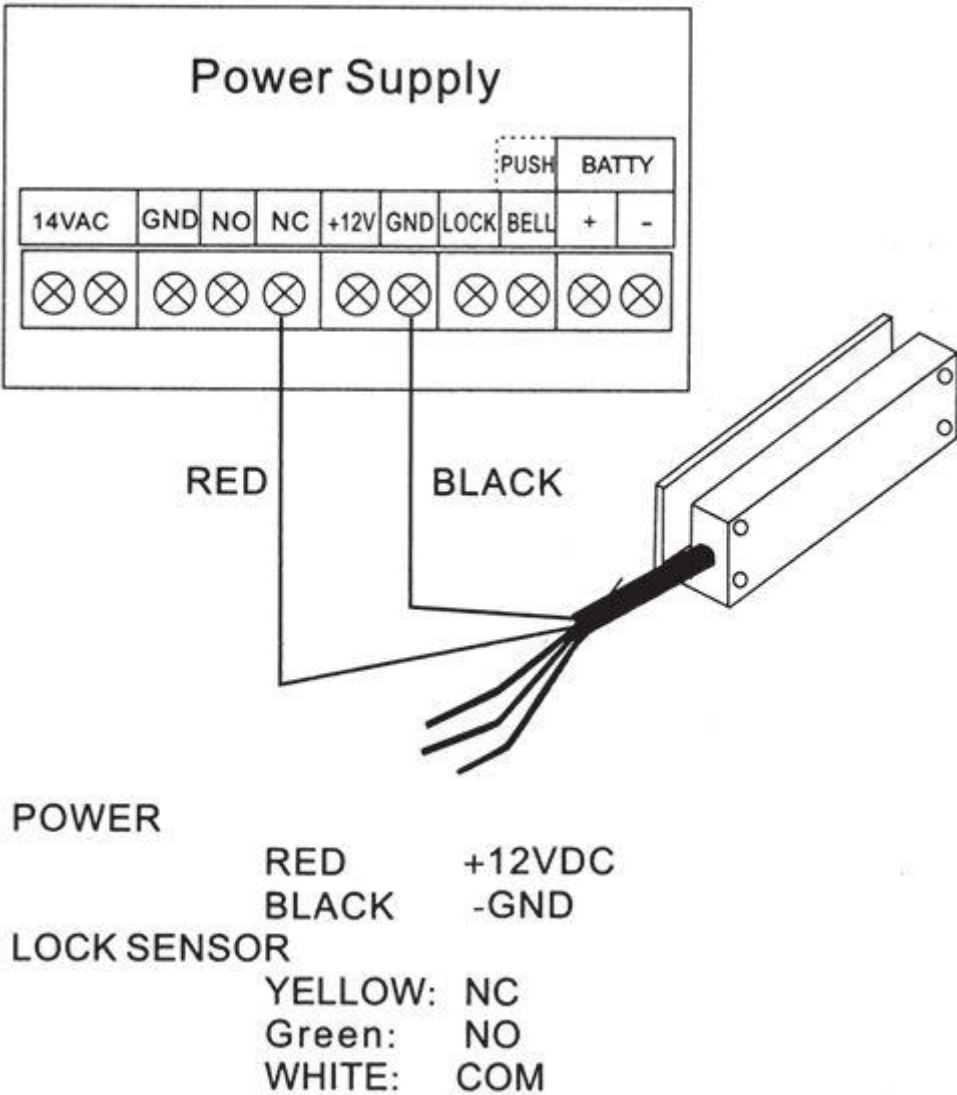
## Time delay setting



# Installation diagram



# Connection diagram



**Remark:**

1. When the red cable is connected to the NC, the interlock is fail-safe.
2. Once the red cable is connected to NO, the lock is secured.