

User Manual

RFID reader with access
control

SecureEntry-CR40

Table of contents

- Specifications: 3
- Set contents:..... 4
- Features: 4
- Installation..... 5
- Function Table..... 5
- Wiring Diagram 6
- Data Signal 6

Specifications:

- **Warranty:** 1 year
- **RFID Card Supported:** 125 kHz
- **Device Type:** Access Control RFID Card Reader
- **Interface:** Wiegand 26
- **Verification Type:** RFID Card
- **Access Control:** Yes
- **Voltage:** 9~24V DC
- **Ingress protection:** IP66
- **Reading Distance:** > 3cm
- **Operating current:** 25 mA
- **Operating temperature:** -40°C~60°C
- **Operating humidity:** 10% to 95%
- **Product dimensions:** 105 x 20 mm
- **Package dimensions:** 103 x 48 x 19 mm
- **Product weight:** 180 g
- **Product weight with packaging:** 260 g

Set contents:

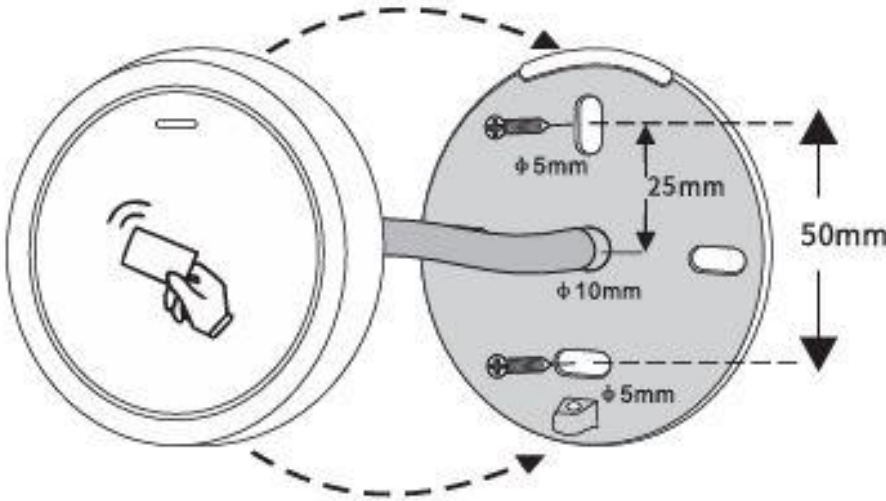
- RFID reader with access control
- Screws and mounting plugs
- Manual

Features:

- The RFID reader can be combined with an electric lock, thanks to which we will obtain a device that allows us to manage access to rooms and buildings.
- The device supports RFID cards with 125 kHz frequencies
- The access control system has a water-resistant housing with IP66 protection, so it can be installed outdoors.
- The reader is equipped with a Wiegand 26 interface, which allows it to be connected to a time recorder and transfer data.

Installation

- Drill 2 holes in the wall for screws (A, C) and one hole for wire (B)
- Drive the rubber pins into the holes (A, C)
- Attach the back cover to the wall with 2 screws
- Insert the wire through the cable hole (B)
- Attach the device to the back cover

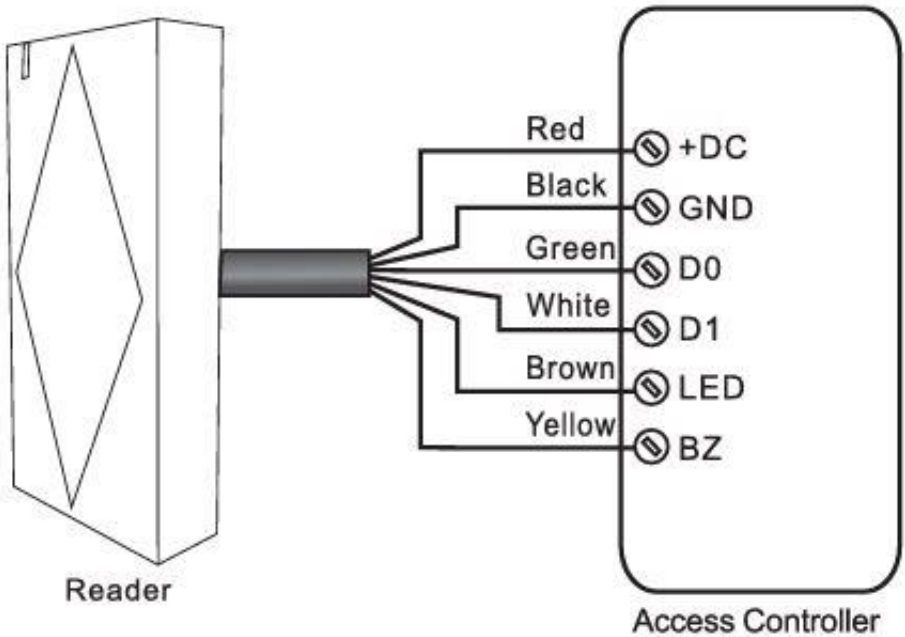


Function Table

Reading the card	The LED will turn green and the buzzer will beep, meanwhile, the reader will send a Wiegand signal.
External LED Control	When the input voltage for the LED is low, the LED will turn green
External buzzer control	When the input voltage for the buzzer is low, the buzzer will make a sound

Wiegand Data Output	The factory default setting is 26 bits.
---------------------	---

Wiring Diagram



Colour	Function	Comments
Red	Power	+DC (9-24V)
Black	GND	Ground
Green	D0	Data 0
White	D1	Data 1
Brown	LED	Green LED control
Yellow	Buzzer	Buzzer control

(Note: The brown and yellow wires are optional connections.)

Data Signal

Description	Reader Typical Time
Pulse Duration	42 μ S
Pulse Interval Time	2 mS

The table above shows the waveform of time, pulse width (pulse duration), and interval time (time between pulses) of Wiegand data sent from readers. (Example 1010)

