

User Manual

RFID reader with access
control

SecureEntry-CR30HF

Table of contents

Specifications: 3
Set contents:..... 4
Features: 4
Installation..... 5
Wiring..... 5
Function Table.....7
Quantitative contents of the set7

Specifications:

- **Warranty:** 1 year
- **Type:** RFID Reader with Access Control
- **Interface:** Wiegand 34
- **Verification Type:** 13,56 MHz RFID Card
- **Access Control:** Yes
- **Supported Cards:** 13,56 MHz
- **Voltage:** 9-18V DC
- **Degree of protection:** IP66
- **Reading Distance:** 0-5cm
- **Readable Chip Types:** MF
- **Operating current:** $\leq 50\text{mA}$
- **Operating temperature:** $-25^{\circ}\text{C} - 60^{\circ}\text{C}$
- **Operating Humidity:** 10%-98%
- **Product dimensions:** 12 x 7.5 x 2 cm
- **Product weight:** 155 g
- **Package weight:** 195 g

Set contents:

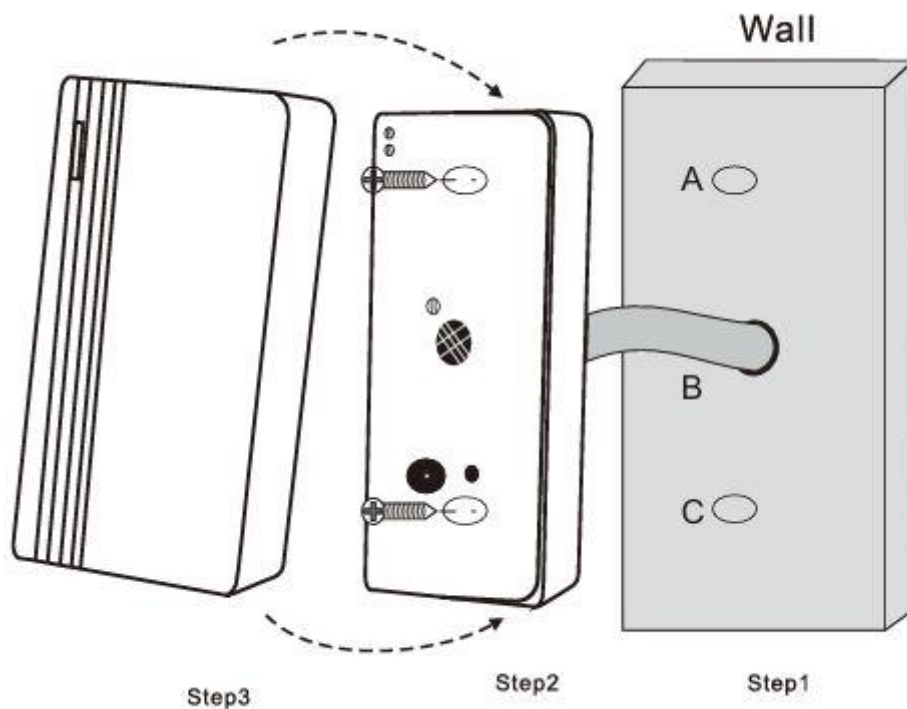
- RFID Reader with Wires
- Mounting pins and screws
- Manual

Features:

- IP66 rated for resistance to water ingress and low temperatures
- Can be mounted outdoors
- Support 13,56 MHZ RFID cards
- Compact shape

Installation

- Two holes (A, C) for screws and one hole for cable (B) should be drilled in the wall.
- Rubber pins should be placed in the holes (A, C).
- The cable must be pulled through the wire hole (B).
- Attach the device to the wall with 2 screws.
- Finally, attach the front cover to the device.

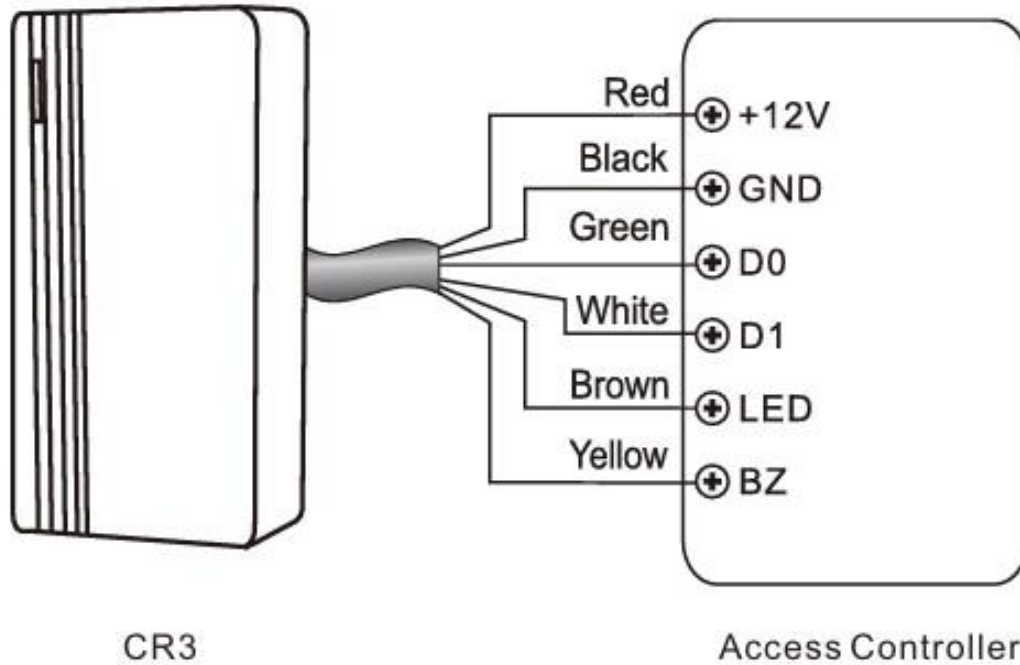


Wiring

Model	Function	Comments
Red	Power	+DC (9-18V DC)
Black	GND	Ground
Green	D0	Data 0
White	D1	Data 1
Brown	Led	Green Control LED
Yellow	Buzzer	Buzzer control

(Note: Brown and yellow wires are optional connections)

Connection Diagram



Function Table

Card Reading	The LED will turn green and the buzzer will beep, meanwhile, the reader will send a Wiegand signal
External LED control	When the input voltage for the LED is low, the LED will turn green
External buzzer control	When the input voltage of the buzzer is low, the buzzer will make a sound
Wiegand Data Output	26 Wiegand bits are available

Quantitative contents of the set

Name	Quantity
RFID Reader	1
Wall fixing plugs	2
Self-tapping screws	2