

# User Manual

---

RFID reader with access  
control

**SecureEntry-CR10LF**

# Table of contents

Specifications: ..... 3  
Set contents:..... 4  
Features: ..... 4  
Installation..... 5  
Wiring..... 6  
Function Table.....7  
Quantitative contents of the set .....7

## Specifications:

- **Warranty:** 1 year
- **Type:** RFID Reader with Access Control
- **Interface:** Wiegand 26
- **Verification Type:** 125kHz RFID Card
- **Access Control:** Yes
- **Supported Cards:** 125 kHz
- **Voltage:** 9-18V DC
- **Degree of protection:** IP66
- **Reading Distance:** 0-5cm
- **Readable Chip Types:** EM
- **Operating Current:** <30mA
- **Operating temperature:** -40°C - 60°C
- **Operating Humidity:** 10%-98%
- **Product dimensions:** 70 x 37 x 17 mm
- **Product weight:** 48 g
- **Package weight:** 88 g

## Set contents:

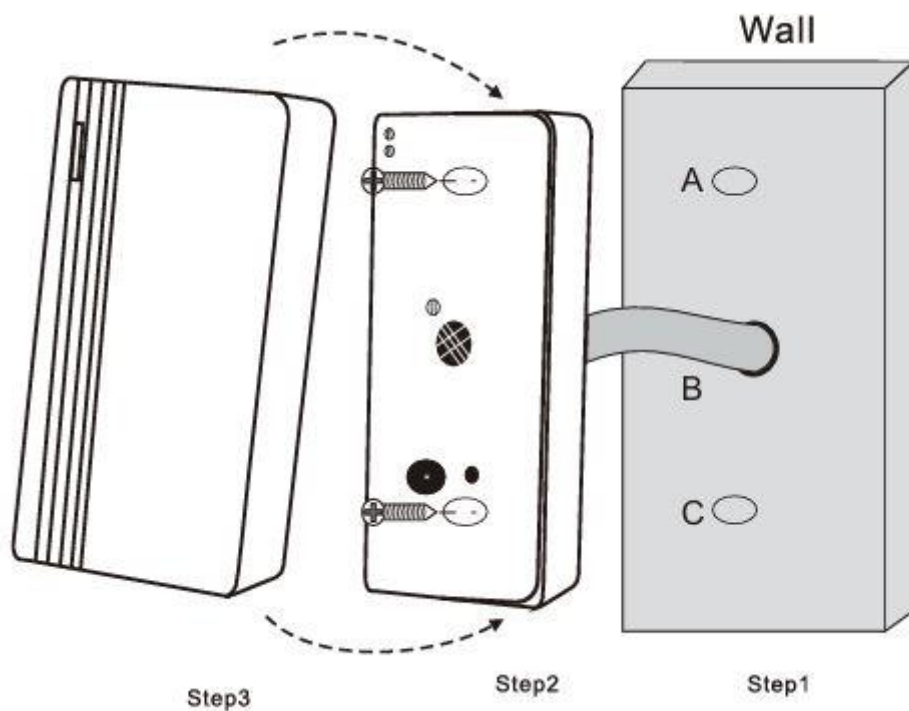
- RFID Reader with Wires
- Mounting pins and screws
- Manual

## Features:

- IP66 rated for resistance to water ingress and low temperatures
- Can be mounted outdoors
- Support 125kHz RFID cards
- Compact shape

## Installation

- Two holes (A, C) for screws and one hole for cable (B) should be drilled in the wall.
- Rubber pins should be placed in the holes (A, C).
- The cable must be pulled through the wire hole (B).
- Attach the device to the wall with 2 screws.
- Finally, attach the front cover to the device.

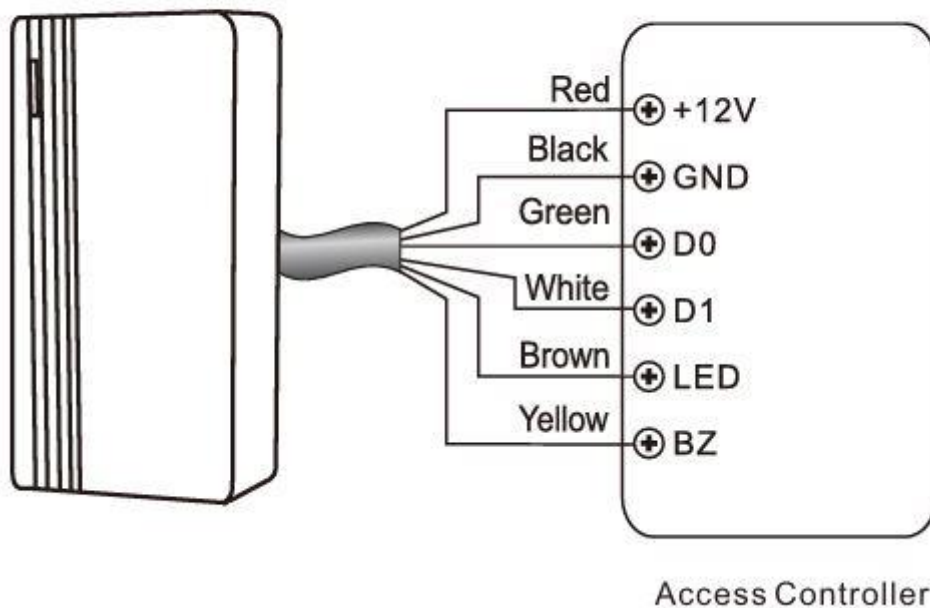


## Wiring

| Model  | Function | Notes                   |
|--------|----------|-------------------------|
| Red    | Power    | +DC (9-18V DC)          |
| Black  | GND      | Ground                  |
| Green  | D0       | Data 0                  |
| White  | D1       | Data 1                  |
| Brown  | LED      | Green LED Light Control |
| Yellow | Buzzer   | Buzzer Control          |

(Note: Brown and yellow wires are optional connections)

### Connection Diagram



## Function Table

|                         |  |
|-------------------------|--|
| Card Reading            | The LED will turn green and the buzzer will beep, meanwhile, the reader will send a Wiegand signal |
| External LED control    | When the input voltage for the LED is low, the LED will turn green                                 |
| External buzzer control | When the input voltage of the buzzer is low, the buzzer will make a sound                          |
| Wiegand Data Output     | 26 Wiegand bits are available  |

## Quantitative contents of the set

| Name                | Quantity |
|---------------------|----------|
| RFID Reader         | 1        |
| Wall fixing plugs   | 2        |
| Self-tapping screws | 2        |