

# User Manual

---

## 125kHz RFID Standalone Access Controller SecureEntry-AC900LF

## Table of contents

Specifications: .....	3
Set contents:.....	4
Features: .....	4
Defaults .....	5
Light and sound signals .....	5
Connection Instructions.....	6
Detailed programming instructions.....	8
Reset the programming password.....	10
How to use the admin tab.....	11
What is a user ID number.....	11
PIN code change (in open mode: card + PIN) .....	11

## Specifications:

- **Warranty:** 1 year
- **Device Type:** Standalone Access Controller
- **Verification Type:** RFID Card, Password
- **Operating frequency:** 125 kHz
- **Max number of employees in the base:** 1000
- **Reading distance:** 5 – 15 cm
- **Keyboard and keys:** touch
- **Chip Types Read:** EM
- **Interface:** Wiegand 26 Output
- **Operating Voltage:** DC 12V +- 12%
- **Working Current:** 1.2A
- **Lock relay:** DC 12V/3A
- **Operating temperature:** 0°C ~ 45°C
- **Operating Humidity:** 40% – 90%
- **Product dimensions:** 12.3 x 8.4 x 2.3 cm
- **Package dimensions:** 18.5 x 13.9 x 5.5 cm
- **Product weight:** 200 g
- **Product weight with packaging:** 400 g

## Set contents:

- Standalone Access Controller
- Manual

## Features:

- Can be connected directly to the electronic lock and doorbell
- Verification via RFID card and password
- 125 kHz operating frequency and DC12V operating voltage

## Defaults

Password	123456	Shared access password	lack
Backlight	Automatic	Relay Unlocking Output	5 seconds
Wiegand 26	Input	Safe Mode	disabled
Opening Mode	Access card or password An access password includes a private access password (PIN) and a shared access password		

## Light and sound signals

### Light Signal: Red and Green

Description of the light signal	Access Control Status
Red LED flashes every 1 second slowly	Standby
Red LED on all the time	Programming mode
The green LED is on all the time	Unlock Mode
Green LED flashes quickly every 0.5 seconds	Waiting for further actions

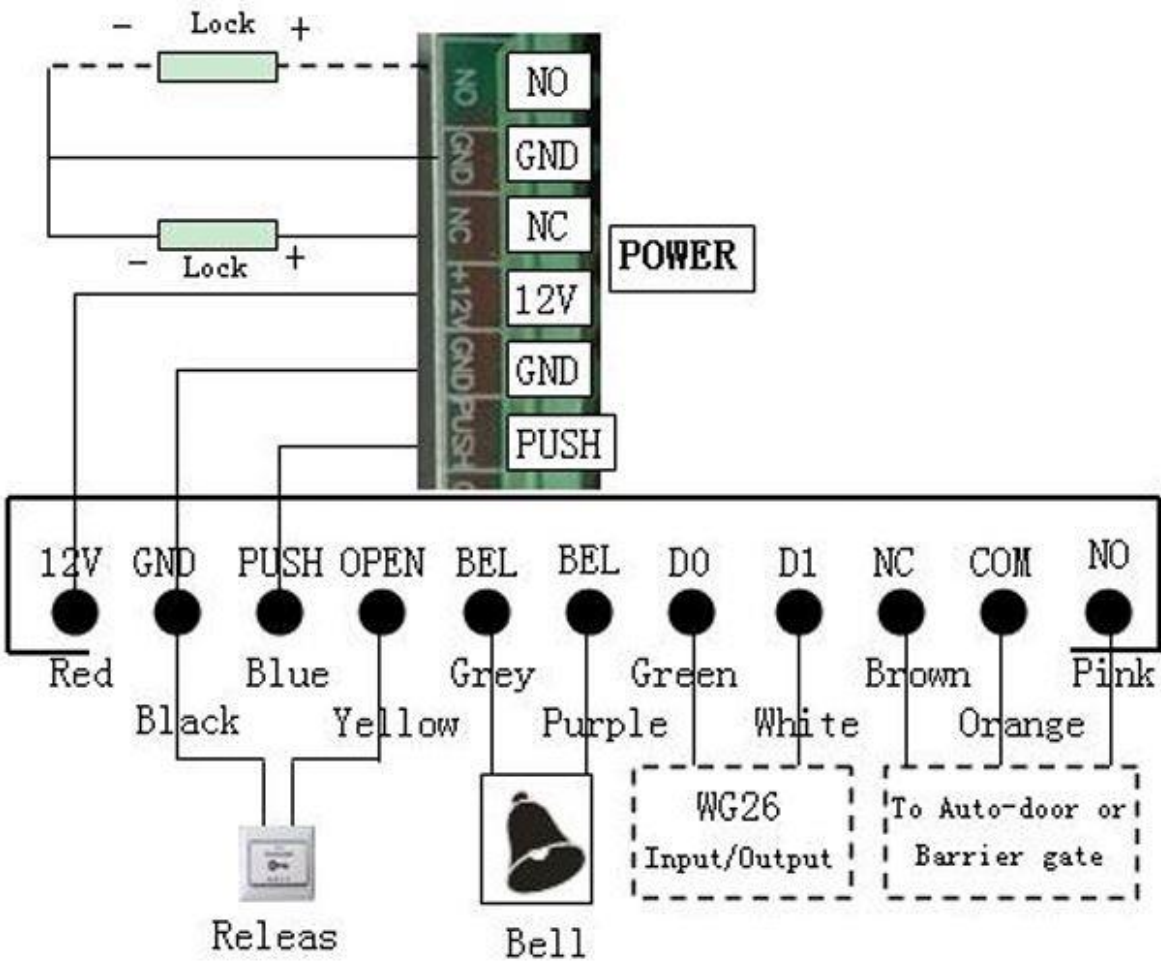
## Horn: buzzer

Description	Access Control Status
1 short beep	Valid input
3 short beeps	Invalid input
1 long beep	Operation success
A continuous, long beep	Restoring Factory Programming Passwords

## Connection Instructions

Lp.	Designation	Colour	Function
1	+12V	Red	Power +
2	GND	Black	Power-
3	PUSH	Blue	Low Output Signal
4	OPEN	Yellow	Unlocking the door
5	BELL	Grey	Bell
6	BELL	Violet	Bell
7	DATA0	Green	Wiegand DATA0
8	DATE1	White	Wiegand DATA1
9	NC	Brown	NC relay output
10	COM	Orange	Relay Output Com
11	YES	Pink	Relay output NO

### Connection diagram



**Remark:**

If the relay has an electrical interlock, the "+" and "-" poles of the interlock must be connected in reverse.

# Detailed programming instructions

## Basic functions

Purpose	Operation to be performed	Comments
Changing the programming password	# Programming password # 0 new programming password #	If you lose the programming password, use the default password (123456)
Add a user card	# Programming password #1 card reading #	If you want to add several cards, read them continuously
Set a common access password	# Programming password #21 new common password #	There is only one common access password. Choose a method: Shared access password #
Delete all users	# Programming password #40 0000 #	Delete all cards and PINs except for a shared password
Removing a user by reading the card	# programming password 41 read card #	To remove multiple cards, read the cards continuously

## Advanced features

Purpose	Operation to be performed	Comments
---------	---------------------------	----------



Add a private access password (PIN)	# Programming password # 22 PIN #	There can be many PIN codes
Add a card by entering the card number	# Programming password #23 enter card number #	The card number is 10-digit or 8-digit
Adding multiple cards by entering the card number	# programming password # 24 enter the number of the starter card number number of cards #	The number of cards should be 4 digits (if you are adding twenty cards at a time, enter 0020).
Add a card + PIN	# programming password # 3 read PIN card #	
Deleting a user by entering a user ID number	# programming password #42 enter user ID #	
Deleting a user by entering a card number	# Programming password #43 Enter card number #	The card number is 10-digit or 8-digit
Remove a user by entering a PIN	# programming password # 44 enter PIN number #	PIN consists of 3~6 digits
Remove all users' PIN	# programming password # 45 1111 #	Applicable to user PIN codes (does not include cards and PIN codes + card)
Changing the opening time	# programming password # 5 XX #	XX can be 2-digit, and max. is 99. If 00 is entered, the signal output time is 0.2 s.
Set open mode	# programming password # 6 XX #	XX can be 01 (card only) /02 (card or access password) /03 (card + PIN)
Reading Setting	# programming password #6 04 #	The device can be used as a reader (W26 output)

Setting the safety function	# programming password # 7 XX #	XX can be 01/02 (safety function OFF/ON) and 03/04 (distance alarm OFF/ON).
Anti-disconnection alarm setting	Note: Enabled security feature means that the system will be locked for 5 minutes if it reads an unregistered card or the wrong access password is entered 10 times	
Backlight Setting	# programming password # 8 XX #	XX can be 01/02/03 (Off/On/Automatic)
Factory reset	# programming password # 8 99 #	Except for the programming password and admin tab
Admin tab setting	# programming password #91 read 1 card read 2 cards	The first tab read is the tab added by the administrator, and the second tab is the card removed by the administrator

## Reset the programming password

To reset to the factory programming password (123456):

- Turn off the power and connect 2 and 3 RST(S1)
- Turn on the power, the buzzer will beep 3 long times and the green LED will flash. If you need to set an administrator card, read two blank tabs: the first as adding an administrator and the second as removing an administrator card, the second as Removing an administrator card: red LED flashes, a continuous short beep.

- Turn off the power, unplug container 2 and 3, and connect container 1 and 2 RST.
- Turn the power back on.

## How to use the admin tab

To add a standby user card, follow these steps:

Read admin card read new card reread admin card

To remove a standby user card, follow these steps:

Read admin card read registered card reread admin card

To remove all standby users, follow these steps:

User cards can be added or removed continuously.

## What is a user ID number

A user ID is an automatically generated 4-digit number that starts with 0001. The number increases as you add the user one by one and ignores the deletion of the user. The shared access password does not have an ID number.

## PIN code change (in open mode: card + PIN)

After reading the card and entering the corresponding PIN code to open the door, within 5 seconds, press and hold the # button until the green LED flashes rapidly, then enter the new PIN code # new PIN code again #, a long beep indicates the successful change of the PIN code.

