

User Manual

13.56mHz RFID Card
Code Lock

SecureEntry-AC200S

Table of contents

Specifications:	3
Kit contents:.....	4
Features:	4
Keyboard shortcuts	5
Operating procedures.....	5
Add/remove administrators.....	6
Adding/Removing Generic Users.....	7
System Settings.....	7
Request for information	8
Network Settings.....	9
Using the Tuya smart app	9
Wiring diagram.....	10

Specifications:

- **Supported RFID cards:** 13.56MHz
- **Fingerprint Sensor:** Capacitive Sensor (7-pin, KFP112BA01)
- **Device Type:** RFID Card, Password & Fingerprint Access Control System
- **Current consumption:** 300mA
- **Verification type:** fingerprint , RFID card, password
- **Max. number of employees in the database:** 999
- **Max. number of administrators in the database:** 9
- **Max. number of fingerprints in the database:** 120
- **Number of buttons:** 12
- **Supported languages:** English and others
- **Wireless communication:** WiFi
- **Access control:** yes
- **Wiegand entrance/exit:** no
- **CPU:** EN-1093
- **Voltage:** DC9V~12V (current: below 1A)
- **Reading Distance:** 1.5cm
- **Operating Temperature:** -10~+60
- **Operating Humidity:** 20%~80%
- **Product dimensions:** 13.5 x 7 x 1 cm
- **Package dimensions:** 15.3 x 9.6 x 4 cm
- **Product weight:** 200 g
- **Weight with packaging:** 400 g

Kit contents:

- Access control system with cables
- Mounting pins and screws
- User Manual

Features:

- Can be verified in three ways: RFID card, password and fingerprint
- The built-in WiFi module and cooperation with the TUYA app allow you to remotely control the device from your smartphone
- Elegant design
- Comfortable, tactile keys

Keyboard shortcuts

Function Name	Hotkey	Input	Remarks
Time check	05#-	When you start the keyboard	
Check your device number	09#-	When you start the keyboard	
Normal Open Mode	5#	In admin mode	Cancel user information revalidation
Reset	84110#	Clear user information and factory reset	Used in case of loss by administrator

Operating procedures

Start the device and enter *+# to enter the main menu.

Add/remove administrators

How it works:

After entering the menu panel and successful authorization, press 1 to select Administration Settings and enter the settings menu.

Press 1 to select **Add Administrator** .

Press 2 to select Delete Administrator, and then enter the number of the administrator you want to remove.

Press 3 to select WeChat password settings.

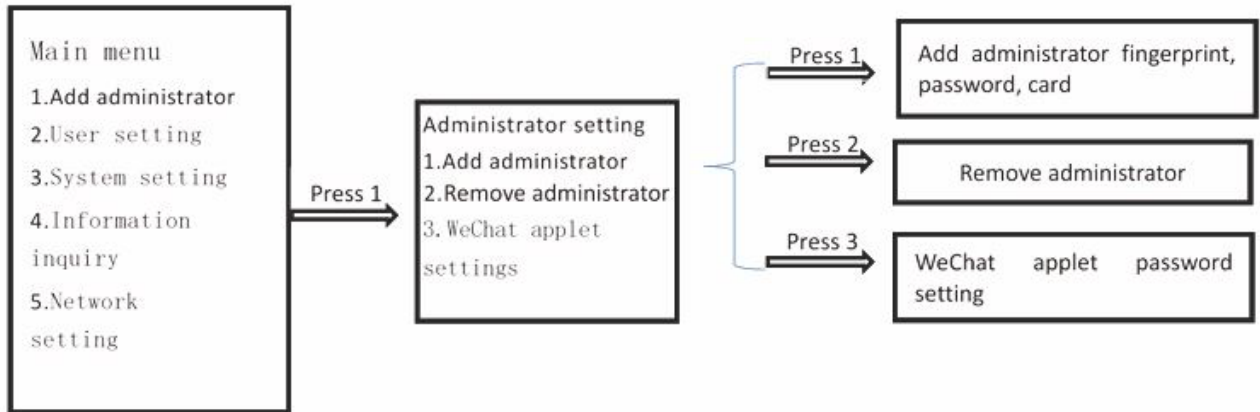
*Use WeChat to search for WeChat and press OK to open the door.

*According to the WeChat applet password (6-10-digit password) set on the access control device, enter WeChat to obtain a temporary password;

*The generated temporary password can be entered immediately after waking up from the standby mode of the access control settings;

*When using the temporary password of the mini door opener, you need to set the time on the access control device to synchronize it with the time in your country before it can be unlocked;

Note: The WeChat password is valid for 5 minutes after you set it.



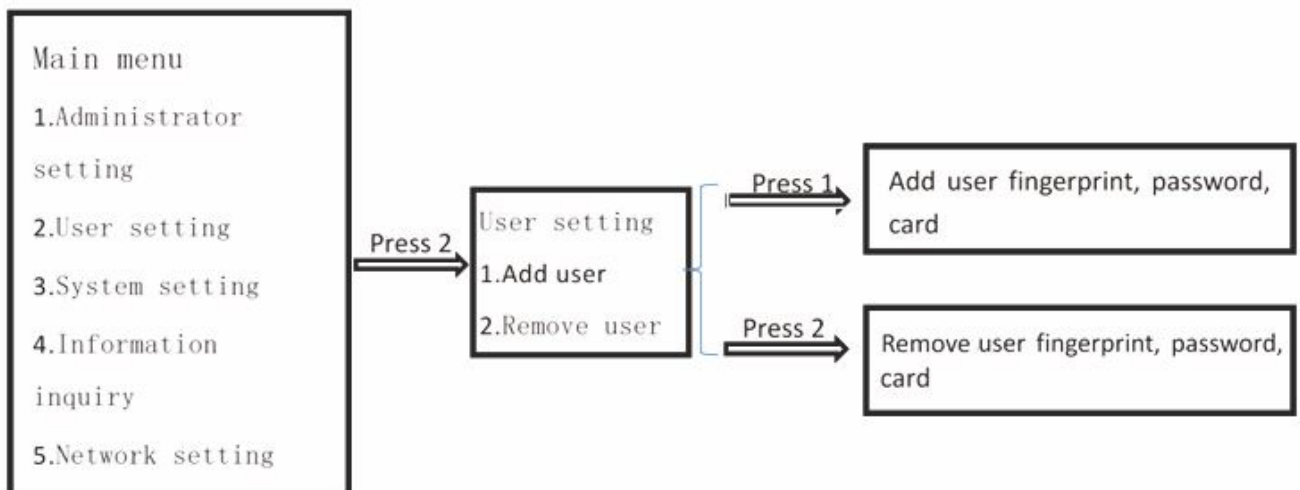
Adding/Removing Generic Users

How it works:

Once in the menu, press button 2 to select **User Settings** and enter the User Settings menu.

Press 1 to select add user

Press 2 to enter the user delete menu, press 1 to select delete by number, and then press 2 to select delete all.



System Settings

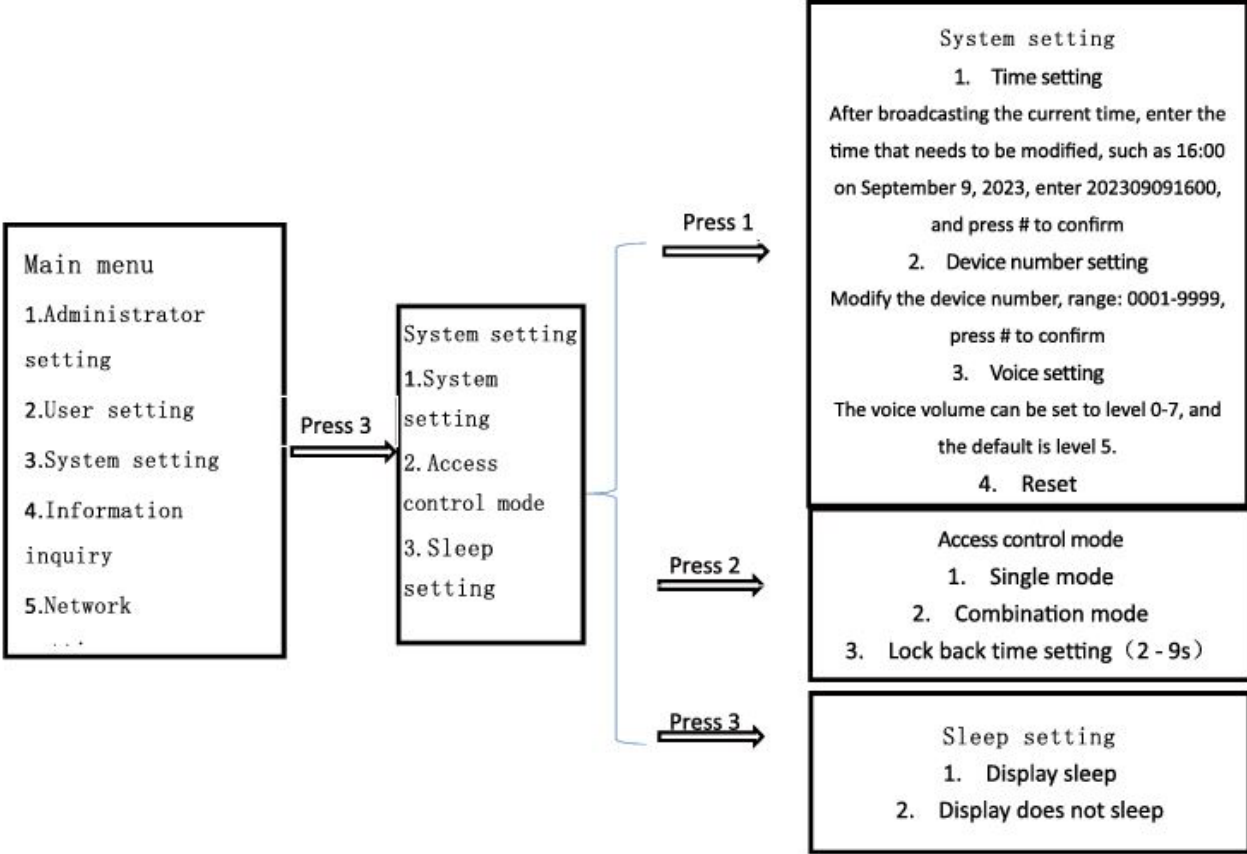
How it works:

Once in the menu, press button 3 to select System settings and enter the system settings menu.

Press 1 to select system settings. When the current time is displayed, you can modify the system settings;

Press 2 to select access control mode, single mode, combination mode and lock time setting;

Press 3 to select the sleep settings and set the system sleep state.



Request for information

How it works:

Once you are in the menu, press 4 to select **Information Inquiry** and enter the Information Inquiry menu.

Press 1 to select a time query

Press 2 to select a number query

Press 3 to select a log query and automatically report the user's registration status.

Network Settings

How it works:

Once in the menu, press 5 to select **Network Setting** and enter the network settings menu.

Press button 1 to select the network settings and add the "**EBKN-Economic Access Control**" device via the "**TUYA Smart APP**" app.

Press 2 to select Restore Networ;

Press 3 to select the sync time and automatically sync the system time over the network.

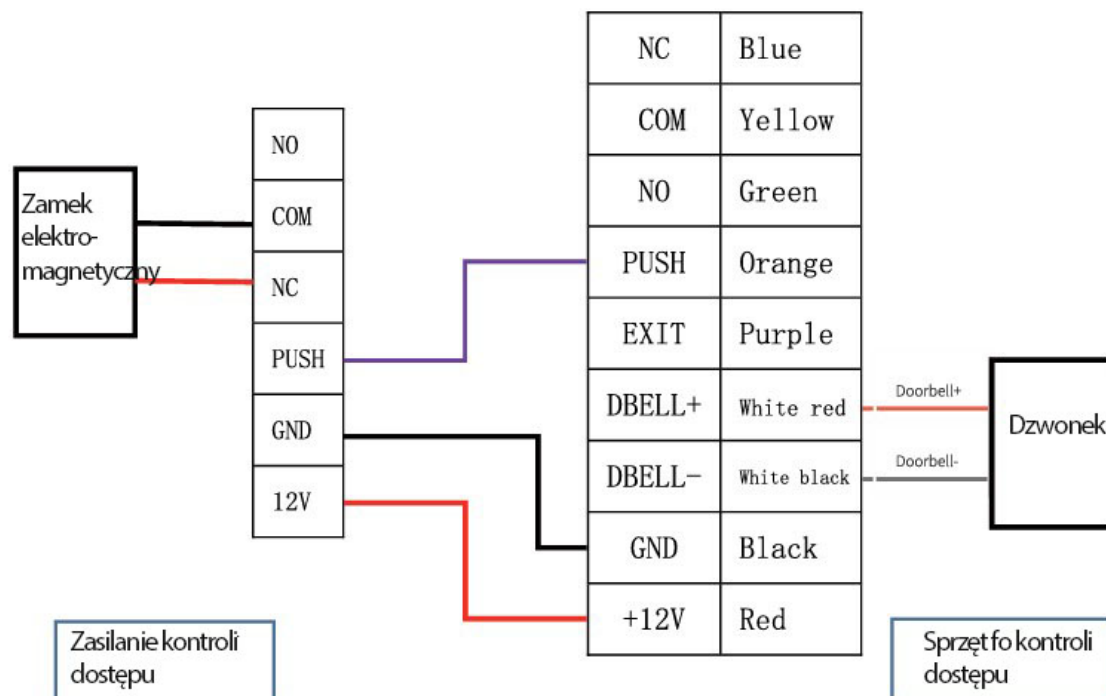
Note: The connected WiFi can only support the 2.4G frequency band. Failure to support the 5G frequency band will cause the network to fail.

Using the Tuya smart app

- 1. Method for entering a temporary password:** In standby mode, press 9999# and you will hear a voice prompt saying "Processing, please enter temporary password". Then enter the temporary password of the TUYA app.

2. Remote door opening with doorbell: In standby mode, press # to turn on the doorbell and send a door opening request over the network. Once the application receives the request and acknowledges it, the door can be opened remotely.

Wiring diagram



Note: The power supply of the doorbell must match the weight of the access control device. Pay attention to the polarity of the signal line.