

User Manual

Desk Lamp

LumixDesk-18

Table of contents

Specifications:	3
Set contents:.....	4
Features:	4
Installation Guide	5
Touch control panel.....	6
Memory function	7
Notes	7

Specifications:

- **Warranty:** 1 year
- **Colour:** Black, powder coated
- **Material:** PC, ABS, Aluminum
- **Luminous Flux:** 600 Lumens
- **Color Temperature:** 2700K-6500K
- **Lamp life:** 50,000 hours
- **Light Source:** LED
- **Additional functions:** brightness adjustment, light temperature adjustment
- **Mounting Method:** Clamping Screw
- **Power Supply:** 100~240V 50/60Hz, 0.8A
- **Power:** 24W
- **Operating Temperature:** -10°C~+40°C
- **Operating Humidity:** 0% ~85%
- **Product dimensions:** 79 x 75 cm
- **Package dimensions:** 43 x 24 x 7.5 cm
- **Product weight:** 1 kg
- **Product weight with packaging:** 1.3 kg

Set contents:

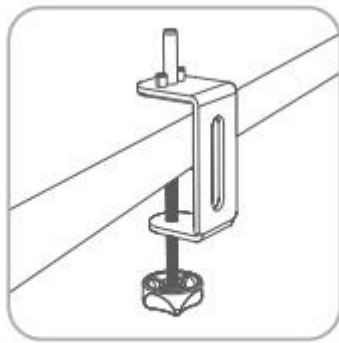
- LumixDesk-18 lamp,
- Power supply.

Features:

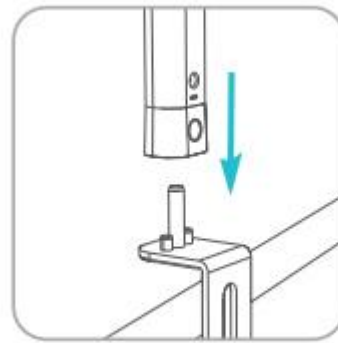
- **Light Source (DIN):** LED
- **Brightness:** 600 lumens
- **Lamp life:** up to 50,000 hours
- **Functions: brightness adjustment,** light temperature adjustment

Installation Guide

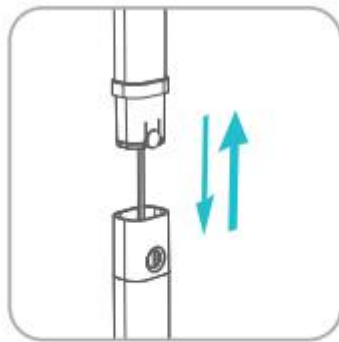
1. Fix the clamp on the countertop.
2. Attach the main lamp holder.
3. Insert and fix the other part of the pipe in the same direction as the round hole of the support rod.
4. Insert and fix the lamp head in the same direction as the round tube opening.



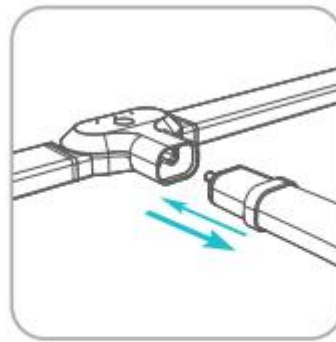
1



2



3



4

Touch control panel

1. Short press the "🔌" button to turn on/off the light.
2. When the light is on, short press the "💡" button to switch the color temperature, a total of 5 levels. A long press allows for smooth adjustment of the color temperature.
3. When the light is on, the highest brightness is set by default. Short press the "⚙️" button to reduce the brightness by one level. (When the minimum brightness is reached, short press will enter the maximum brightness and so on.) 5 brightness levels (100%-80%-60%-40%-20%). A long press of the button allows you to smoothly adjust the brightness.

Memory function

In the case of uninterrupted power, the color temperature and brightness of the light will remain the same when the light is turned back on after the last power off. (Both IR remote control mode and physical button mode can be memorized.)

Notes

1. Remote control range: the area with infrared receiver head as the apex and ≤ 3 meters 360° radius, the infrared remote control transmitter must be aligned with the position of the infrared receiver head.
2. This product is not waterproof, please do not use it in a humid environment.
3. Do not install this product near heat sources such as air conditioner outlet, heating outlet, humidifier and other places where the temperature changes drastically (the working temperature of the product is $-10\text{ }^{\circ}\text{C} \sim 40\text{ }^{\circ}\text{C}$).
4. Do not disassemble the product by yourself to avoid damage to the internal parts.
5. The induction area on the surface of the product must not be covered by other objects. Use a clean and soft cloth to wipe the surface. Do not use solvents for cleaning.