

User Manual

Desk Lamp

LumixDesk-12

Table of contents

- Specifications: 3
- Set contents:..... 4
- Features: 4
- Installation Guide 5
- Touch control panel 6
- Remote control 7
- Memory function 9
- Notes 9

Specifications:

- **Warranty:** 1 year
- **Colour:** Black, powder coated
- **Material:** PC, ABS, Aluminum
- **Luminous flux:** 1050 lumens
- **Color Temperature:** 2700K-6500K
- **Lamp life:** 50,000 hours
- **Light Source:** LED
- **Additional functions:** brightness adjustment, light temperature adjustment, remote control
- **Mounting Method:** Clamping Screw
- **Power Supply:** 100~240V 50/60Hz, 0.8A
- **Power:** 24W
- **Operating Temperature:** -10°C~+40°C
- **Operating Humidity:** 0% ~85%
- **Product dimensions:** 84 x 78 cm
- **Package dimensions:** 45 x 24 x 6 cm
- **Product weight:** 1.2 kg
- **Product weight with packaging:** 1.4 kg

Set contents:

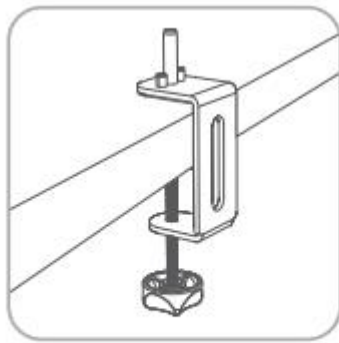
- LumixDesk-12 lamp,
- Pilot
- Power supply.

Features:

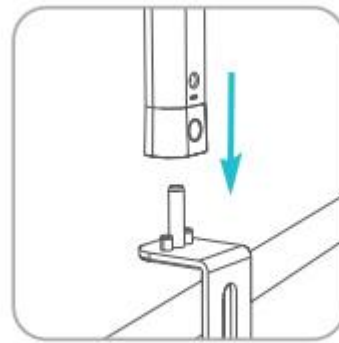
- **Light Source (DIN):** LED
- **Brightness:** 1050 lumens
- **Lamp life:** up to 50,000 hours
- **Functions: brightness** adjustment, light temperature adjustment, remote control

Installation Guide

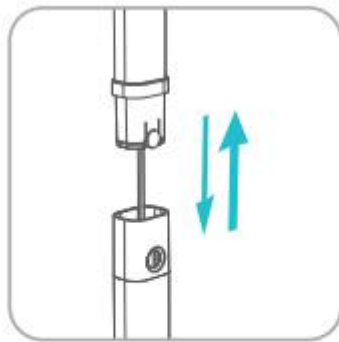
1. Fix the clamp on the countertop.
2. Attach the main lamp holder.
3. Insert and fix the other part of the tube in the same direction as the round hole of the support rod.
4. Insert and fix the lamp head in the same direction as the round tube hole.



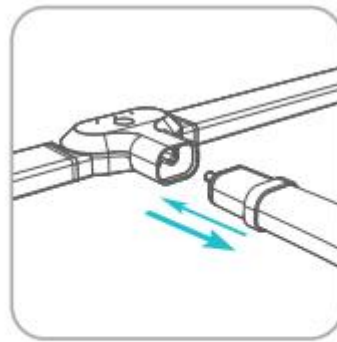
1



2



3



4

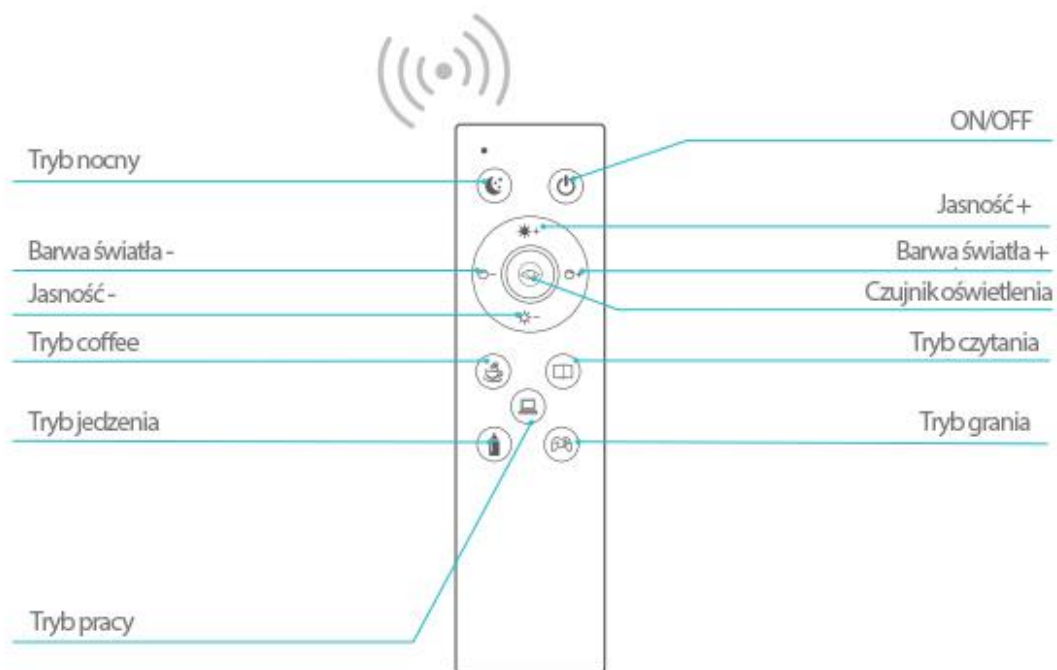
Touch control panel

1. Short press the "🔌" button to turn on/off the light.
2. When the light is on, short press the "💡" button to switch the color temperature, a total of 5 levels. A long press allows for smooth adjustment of the color temperature.
3. When the light is on, the highest brightness is set by default. Short press the "☀️" button reduces the brightness by one level. (when the minimum brightness is reached, short press will enter the maximum brightness and so on cycling). 5 brightness levels (100%-80%-60%-40%-20%). A long press of the button allows you to smoothly adjust the brightness.

Remote control

1. Short press the "🔌" button to turn on/off the light.
2. When the light is on, short press the "☀️+" button to increase the color temperature by one level. (if it's at level 10 6500K, there will be no change when clicked). A long press increases the color temperature steplessly. A short press of the "☀️-" button lowers the color temperature by one level (if the 1st level is set to 2700 K, no change will occur when clicked). A long press of the button allows you to smoothly adjust the color temperature. 10 levels in total.
3. When the light is on, short press the "☀️+" button to increase the brightness by one level (the light will not change if it is set to maximum brightness). 10 levels in total. A long press allows you to adjust the brightness smoothly.
4. Short press the "☀️-" button to decrease the brightness by one level (the light will not change if it is set to minimum brightness). 10 levels in total. A long press allows you to adjust the brightness smoothly.
5. 🌙 **Night Mode:** Short press to turn on the night mode;
6. ☕ **Coffee Mode:** Short press to turn on coffee mode;
7. 📖 **Reading Mode:** Short press to turn on the reading mode;
8. 🏢 **Working Mode:** Short press to turn on the working mode;
9. 🍷 **Eating Mode:** Short press to turn on the feeding mode;
10. 🎮 **Game Mode:** Short press to turn on the game mode;
11. 📡 When the light is on, short press to open the light sensor mode, 2 times flash means on, 3 times flash means off.

Note: The IR remote control transmitter must be matched with the IR receiver.



Memory function

In case of uninterrupted power supply, the color temperature and brightness of the light will remain the same when the light is turned back on after the last power off. (Both IR remote control mode and physical button mode can be memorized.)

Notes

1. Remote control range: the area with the infrared receiving head as the apex and a radius of ≤ 3 meters 360°, the infrared remote control transmitter must be aligned with the position of the infrared receiving head.
2. This product is not waterproof, please do not use it in a humid environment.
3. Do not install this product near heat sources such as air conditioner outlet, heating outlet, humidifier and other places where the temperature changes drastically (the working temperature of the product is $-10\text{ }^{\circ}\text{C} \sim 40\text{ }^{\circ}\text{C}$).
4. Do not disassemble the product by yourself to avoid damage to the internal parts.
5. The induction area on the surface of the product must not be covered by other objects. Use a clean and soft cloth to wipe the surface. Do not use corrosive solvents for cleaning.